



Chipsmall Limited consists of a professional team with an average of over 10 year of expertise in the distribution of electronic components. Based in Hongkong, we have already established firm and mutual-benefit business relationships with customers from,Europe,America and south Asia,supplying obsolete and hard-to-find components to meet their specific needs.

With the principle of “Quality Parts,Customers Priority,Honest Operation,and Considerate Service”,our business mainly focus on the distribution of electronic components. Line cards we deal with include Microchip,ALPS,ROHM,Xilinx,Pulse,ON,Everlight and Freescale. Main products comprise IC,Modules,Potentiometer,IC Socket,Relay,Connector.Our parts cover such applications as commercial,industrial, and automotives areas.

We are looking forward to setting up business relationship with you and hope to provide you with the best service and solution. Let us make a better world for our industry!



Contact us

Tel: +86-755-8981 8866 Fax: +86-755-8427 6832

Email & Skype: info@chipsmall.com Web: www.chipsmall.com

Address: A1208, Overseas Decoration Building, #122 Zhenhua RD., Futian, Shenzhen, China



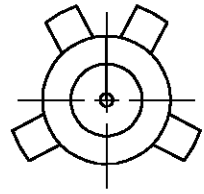
THIS DRAWING IS UNPUBLISHED.

RELEASED FOR PUBLICATION

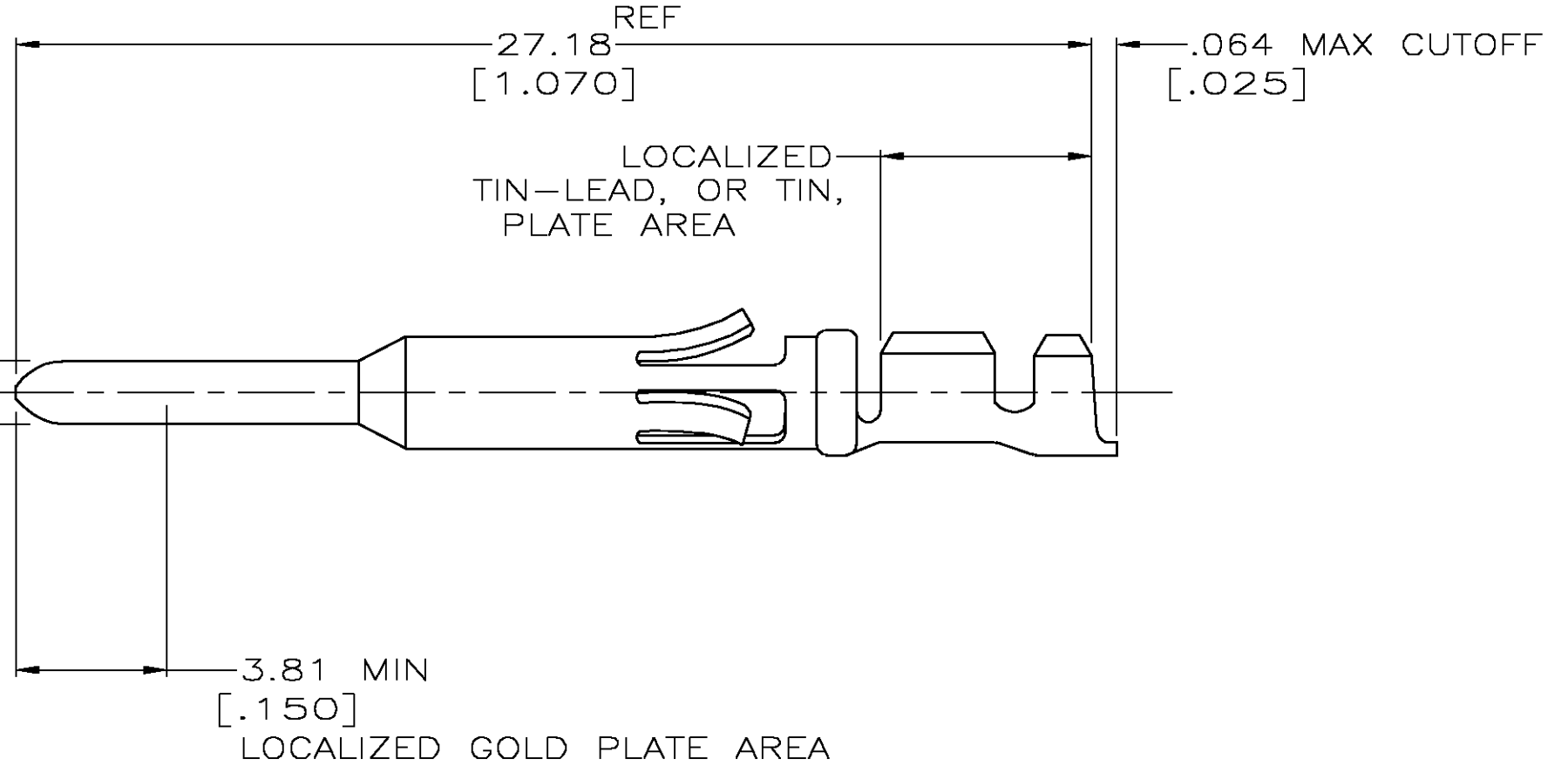
© COPYRIGHT BY TYCO ELECTRONICS CORPORATION.

ALL RIGHTS RESERVED.

LOC	DIST	REVISIONS					
BD	39	P	LTR	DESCRIPTION	DATE	DWN	APVD
		F		0G3B-0317-03	24APR03	TK	GS



1.57 DIA
[.062]



- 1. WIRE RANGE 18-16 AWG.
- 2. INSULATION RANGE .100-.080 DIA.
- 3. FOR STRIP PART SEE DWG 66579.

④ 0.76 μm [.000030] MIN GOLD IN LOCALIZED GOLD PLATE AREA,
 1.27 μm [.000050] MIN TIN-LEAD IN LOCALIZED TIN-LEAD PLATE AREA,
 BOTH OVER 1.27 μm [.000050] MIN NICKEL.

⑤ TIN PLATED.

⑥ GOLD PLATING PER MIL-G-45204, TIN PER MIL-T-10727
 AND NICKEL PER QQ-N-290.

⑦ 0.76 μm [.000030] MIN GOLD IN LOCALIZED GOLD PLATE AREA,
 1.27 μm [.000050] MIN TIN IN LOCALIZED TIN PLATE AREA,
 BOTH OVER 1.27 μm [.000050] MIN NICKEL.

⑦	66589-4
④	66589-2
⑤	66589-1
FINISH	FINISH

THIS DRAWING IS A CONTROLLED DOCUMENT.		DWN C.OBERMAN 08/25/92	Tyco Electronics Corporation Harrisburg, Pa	
DIMENSIONS: INCHES		CHK W.G.LENKER 9-3-92	NAME CONTACT, PIN, LOOSE PIECE, TYPE VI, MULTIMATE	
TOLERANCES UNLESS OTHERWISE SPECIFIED:		APVD A. TRAVIS A.TRAVIS 9-3-92	SIZE A3	
0 PLC ± -		PRODUCT SPEC -	CAGE CODE 00779	DRAWING NO C-66589
1 PLC ± -		APPLICATION SPEC -	RESTRICTED TO	
2 PLC ± 0.13 [.005]		WEIGHT -	SCALE 6:1	
3 PLC ± -		CUSTOMER DRAWING		
4 PLC ± -		SHEET 1 OF 1		
ANGLES ± -		REV F		
MATERIAL BRS PER MIL-C-50	FINISH ⑥ SEE TABLE			