



Chipsmall Limited consists of a professional team with an average of over 10 year of expertise in the distribution of electronic components. Based in Hongkong, we have already established firm and mutual-benefit business relationships with customers from,Europe,America and south Asia,supplying obsolete and hard-to-find components to meet their specific needs.

With the principle of “Quality Parts,Customers Priority,Honest Operation,and Considerate Service”,our business mainly focus on the distribution of electronic components. Line cards we deal with include Microchip,ALPS,ROHM,Xilinx,Pulse,ON,Everlight and Freescale. Main products comprise IC,Modules,Potentiometer,IC Socket,Relay,Connector.Our parts cover such applications as commercial,industrial, and automotives areas.

We are looking forward to setting up business relationship with you and hope to provide you with the best service and solution. Let us make a better world for our industry!



Contact us

Tel: +86-755-8981 8866 Fax: +86-755-8427 6832

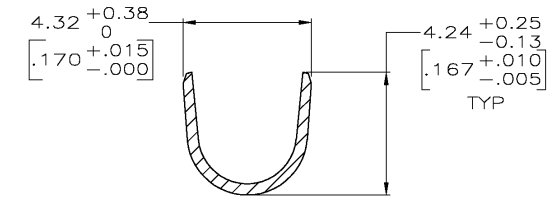
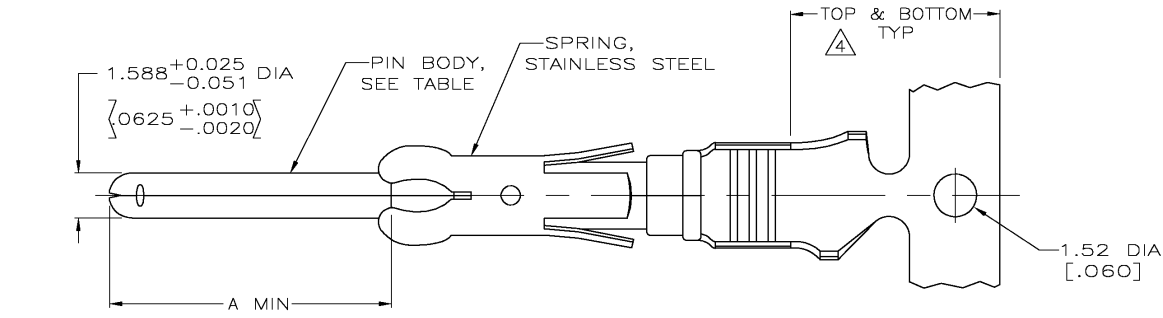
Email & Skype: info@chipsmall.com Web: www.chipsmall.com

Address: A1208, Overseas Decoration Building, #122 Zhenhua RD., Futian, Shenzhen, China

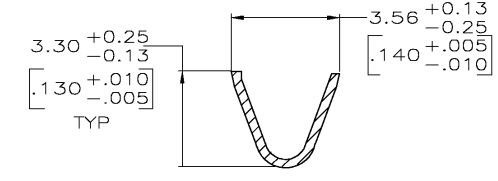
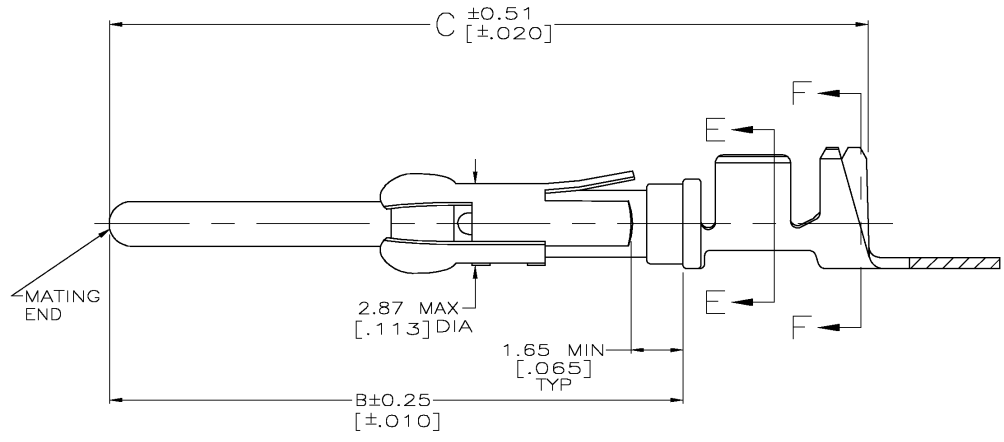


THIS DRAWING IS UNPUBLISHED. RELEASED FOR PUBLICATION
 © COPYRIGHT BY TYCO ELECTRONICS CORPORATION. ALL RIGHTS RESERVED.

LOC	DIST	REVISIONS					
FT	0	P	LTR	DESCRIPTION	DATE	DWN	APVD
		U		REVISED PER 0G3B-0841-03	11/5/03	SS	GS



SECTION F-F



SECTION E-E

- 1 REELED FOR MINI-APPLICATOR.
- 2 0.76µm [.000030] MIN GOLD PER MIL-G-45204 ON MATING END FOR A LENGTH OF 5.08 [.200] MIN WITH GOLD FLASH ON THE REMAINDER, OVER 1.27µm [.000050] MIN NICKEL PER QQ-N-290.
- 3 1.27µm [.000050] MIN TIN-LEAD PER MIL-T-10727 OVER 1.27µm [.000050] MIN NICKEL PER QQ-N-290. GOLD PLATING NEED NOT APPEAR IN THIS AREA.
- 4 BRASS
- 5 PHOSPHOR BRONZE
- 6 WIRE RANGE 14-18 AWG.
- 7 INSULATION RANGE 2.79[.110]-3.81[.150] DIA.
- 8 0.38µm [.000015] MIN GOLD PER MIL-G-45204 ON MATING END FOR A LENGTH OF 5.08 [.200] MIN, 1.27µm [.000050] MIN TIN-LEAD PER MIL-T-10727 FOR A LENGTH OF 5.69 [.224] MIN ON OPPOSITE END, BOTH OVER 1.27µm [.000050] MIN NICKEL PER QQ-N-290 ON ENTIRE CONTACT.
- 9 OBSOLETE PART NUMBER.
- 10 1.27µm [.000050] MIN TIN PER MIL-T-10727 OVER 1.27µm [.000050] MIN NICKEL PER QQ-N-290.
- 11 COPPER NICKEL ALLOY.

26.75[1.053]	20.24[.797]	9.91[.390]	11	12	1-66602-0	1-66597-1	
26.75[1.053]	20.24[.797]	9.91[.390]	11	12	66602-9	1-66597-0	
26.75[1.053]	20.24[.797]	9.91[.390]	11	12	-	66597-9	
26.75[1.053]	20.24[.797]	9.91[.390]	11	12	66602-8	66597-8	
26.75[1.053]	20.24[.797]	9.91[.390]	11	12	66602-5	66597-7	
30.43[1.198]	23.93[.942]	13.59[.535]	11	12	-	66597-6	
26.75[1.053]	20.24[.797]	9.91[.390]	11	12	66602-4	66597-5	
26.75[1.053]	20.24[.797]	9.91[.390]	11	12	66602-3	66597-4	
26.75[1.053]	20.24[.797]	9.91[.390]	11	12	66602-2	66597-2	
26.75[1.053]	20.24[.797]	9.91[.390]	11	12	66602-1	66597-1	
C	B	A	REELING	PIN BODY FINISH	PIN BODY	LOOSE PIECE REF	PART NO

THIS DRAWING IS A CONTROLLED DOCUMENT.

DIMENSIONS: INCHES	TOLERANCES UNLESS OTHERWISE SPECIFIED:	DWN: R. SHIREY	7-22-91	Tyco Electronics Corporation City, State, Zip
	0 PLC ± - 1 PLC ± - 2 PLC ± ± 0.1[.005] 3 PLC ± - 4 PLC ± - ANGLES ± -	CHK: R. STONE	8-15-91	
		MATERIAL: SEE CALLOUTS	FINISH: SEE TABLE	APVD: J. WESTMAN
APPLICATION SPEC		NAME: PIN ASSEMBLY, .062, TYPE III+		RESTRICTED TO
WEIGHT: -		SIZE: A2	CAGE CODE: 00779	DRAWING NO: 66597
CUSTOMER DRAWING		SCALE: 8:1	SHEET: 1 OF 1	REV: U