



Chipsmall Limited consists of a professional team with an average of over 10 year of expertise in the distribution of electronic components. Based in Hongkong, we have already established firm and mutual-benefit business relationships with customers from,Europe,America and south Asia,supplying obsolete and hard-to-find components to meet their specific needs.

With the principle of “Quality Parts,Customers Priority,Honest Operation,and Considerate Service”,our business mainly focus on the distribution of electronic components. Line cards we deal with include Microchip,ALPS,ROHM,Xilinx,Pulse,ON,Everlight and Freescale. Main products comprise IC,Modules,Potentiometer,IC Socket,Relay,Connector.Our parts cover such applications as commercial,industrial, and automotives areas.

We are looking forward to setting up business relationship with you and hope to provide you with the best service and solution. Let us make a better world for our industry!



Contact us

Tel: +86-755-8981 8866 Fax: +86-755-8427 6832

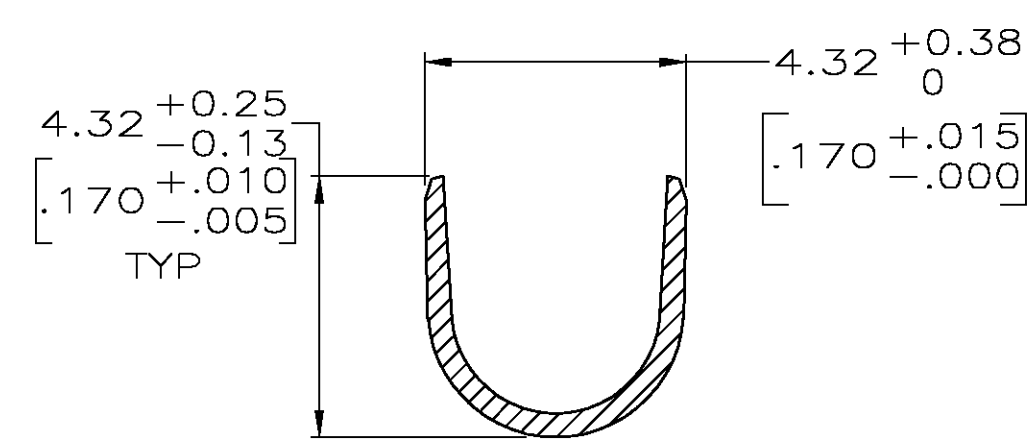
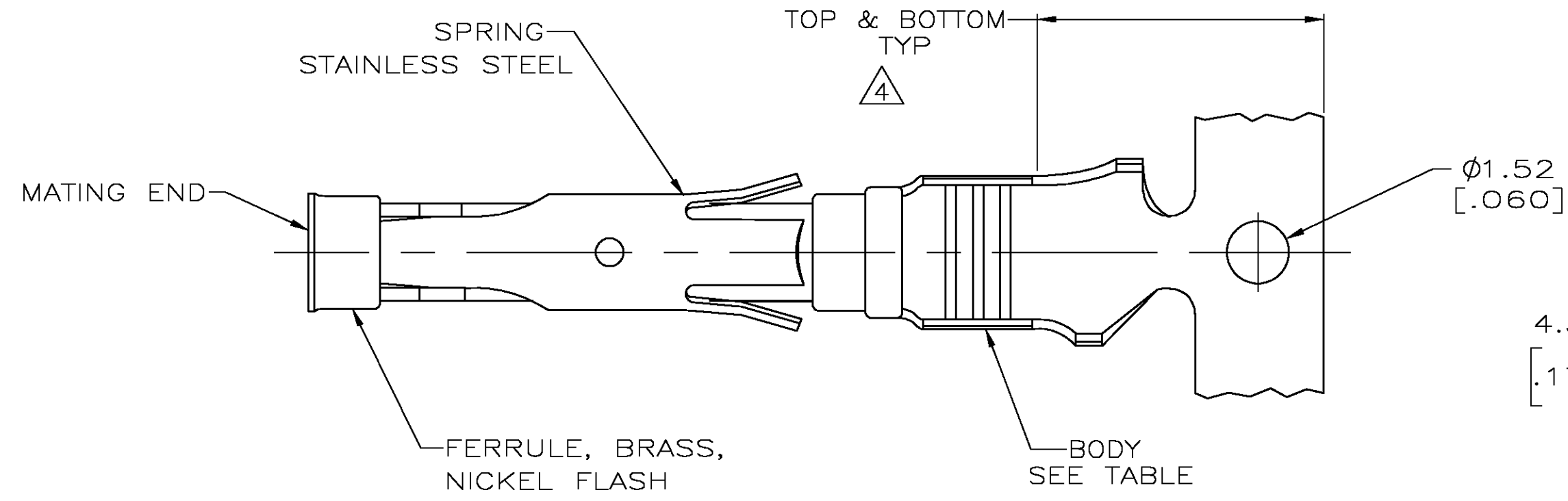
Email & Skype: info@chipsmall.com Web: www.chipsmall.com

Address: A1208, Overseas Decoration Building, #122 Zhenhua RD., Futian, Shenzhen, China

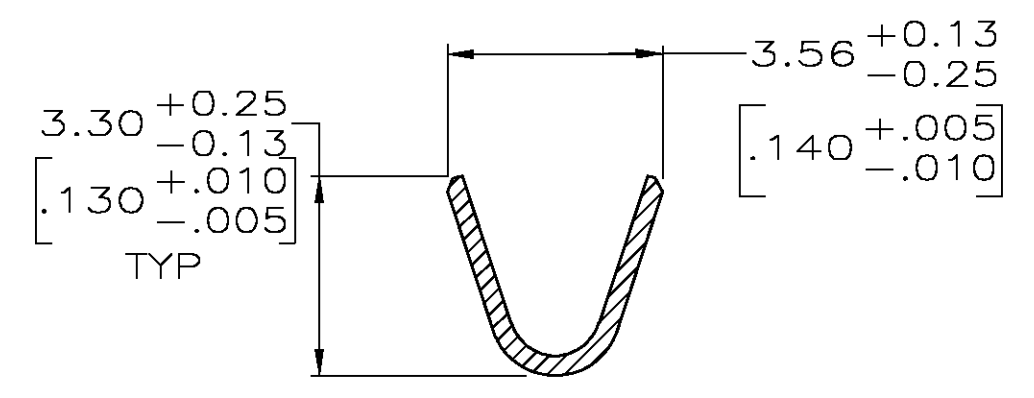
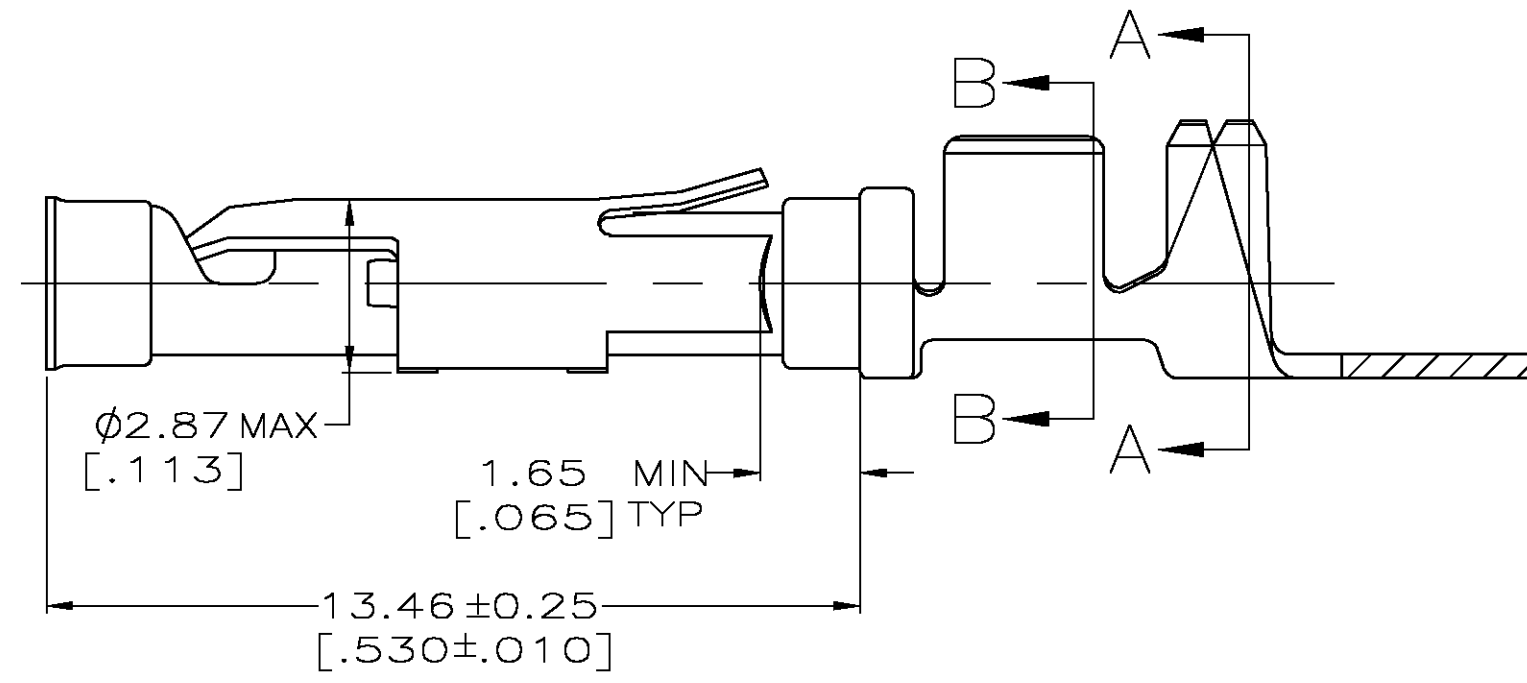
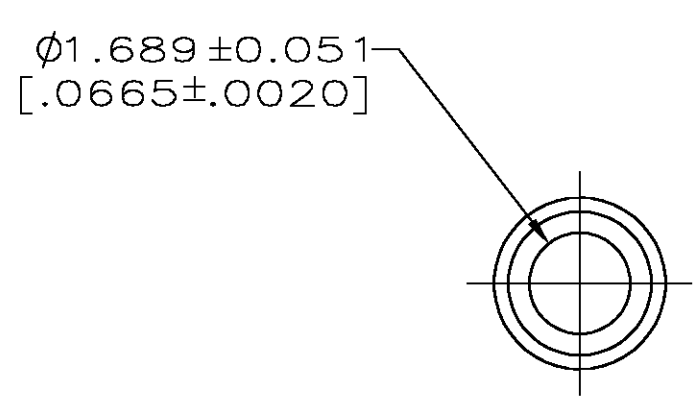


THIS DRAWING IS UNPUBLISHED. RELEASED FOR PUBLICATION
 © COPYRIGHT BY TYCO ELECTRONICS CORPORATION. ALL RIGHTS RESERVED.

LOC		DIST		REVISIONS			
P	LTR	DESCRIPTION	DATE	DWN	APVD		
W		REVISED PER 0G3B-0956-04	11/19/04	SS	GS		



SECTION A-A



SECTION B-B

- ① 0.51µm [.000020] MIN GOLD PER MIL-G-45204 ON MATING END FOR A LENGTH OF 5.08 [.200] MIN WITH GOLD FLASH ON THE REMAINDER OVER 0.76µm [.000030] MIN NICKEL PER QQ-N-290.
- ② 1.27µm [.000050] MIN TIN-LEAD PER MIL-T-10727 OVER 0.76µm [.000030] MIN NICKEL PER QQ-N-290.
- ③ 0.76µm [.000030] MIN GOLD PER MIL-G-45204 ON MATING END FOR A LENGTH OF 5.08 [.200] MIN WITH GOLD FLASH ON THE REMAINDER OVER 0.76µm [.000030] MIN NICKEL PER QQ-N-290.
- ④ GOLD PLATING NEED NOT APPEAR IN THIS AREA.
- 5. REVERSE REELED FOR MINI-APPLICATOR.
- 6. WIRE RANGE 14-18 AWG. INSULATION RANGE 2.79 [.110]-3.81 [.150].
- ⑦ 0.38µm [.000015] MIN GOLD PER MIL-G-45204 ON MATING END FOR A LENGTH OF 5.08 [.200] MIN, 1.27µm [.000050] MIN TIN-LEAD PER MIL-T-10727 FOR A LENGTH OF 5.69 [.224] MIN ON OPPOSITE END, BOTH OVER 1.27µm [.000050] MIN NICKEL PER QQ-N-290 ON ENTIRE CONTACT.
- ⑧ 1.27µm [.000050] MIN TIN PER MIL-T-10727 OVER 0.76µm [.000030] MIN NICKEL PER QQ-N-290.

⑧	BRASS	-	1-66598-4	
⑧	PHOSPHOR BRONZE	-	1-66598-3	
⑧	CU-NI ALLOY	1-66601-2	1-66598-2	
③	CU-NI ALLOY	1-66601-0	1-66598-1	
⑧	BRASS	-	1-66598-0	
⑧	BRASS	66601-9	66598-9	
OBSELETE	⑦	BRASS	66601-5	66598-8
	②	BRASS	-	66598-7
	③	PHOSPHOR BRONZE	66601-4	66598-6
OBSELETE	②	PHOSPHOR BRONZE	66601-3	66598-5
	①	BRASS	-	66598-3
	③	BRASS	66601-2	66598-2
	②	BRASS	66601-1	66598-1
	BODY FINISH	BODY MATERIAL	LOOSE PIECE REF	PART NUMBER

THIS DRAWING IS A CONTROLLED DOCUMENT.

DIMENSIONS: INCHES	TOLERANCES UNLESS OTHERWISE SPECIFIED:	DWN M.HOFFECKER 8-11-88	Tyco Electronics Corporation Harrisburg, PA 17105
	0 PLC ± - 1 PLC ± - 2 PLC ± - 3 PLC ± - 4 PLC ± - ANGLES ± -	CHK J.McCLINTON 8-11-88	
MATERIAL SEE CALLOUTS	FINISH SEE CALLOUTS	APVD -	NAME
		PRODUCT SPEC -	SOCKET ASSEMBLY, .062, TYPE III+
		APPLICATION SPEC -	
		WEIGHT -	SIZE A2 CAGE CODE 00779 DRAWING NO C=66598
		CUSTOMER DRAWING	RESTRICTED TO -
		SCALE 8:1	SHEET 1 OF 1 REV W