



Chipsmall Limited consists of a professional team with an average of over 10 year of expertise in the distribution of electronic components. Based in Hongkong, we have already established firm and mutual-benefit business relationships with customers from,Europe,America and south Asia,supplying obsolete and hard-to-find components to meet their specific needs.

With the principle of “Quality Parts,Customers Priority,Honest Operation,and Considerate Service”,our business mainly focus on the distribution of electronic components. Line cards we deal with include Microchip,ALPS,ROHM,Xilinx,Pulse,ON,Everlight and Freescale. Main products comprise IC,Modules,Potentiometer,IC Socket,Relay,Connector.Our parts cover such applications as commercial,industrial, and automotives areas.

We are looking forward to setting up business relationship with you and hope to provide you with the best service and solution. Let us make a better world for our industry!



Contact us

Tel: +86-755-8981 8866 Fax: +86-755-8427 6832

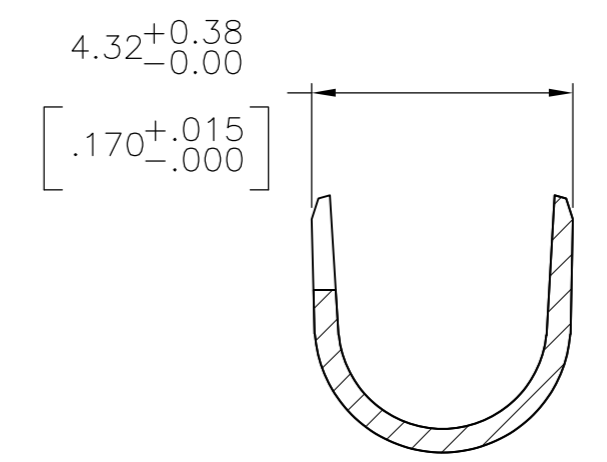
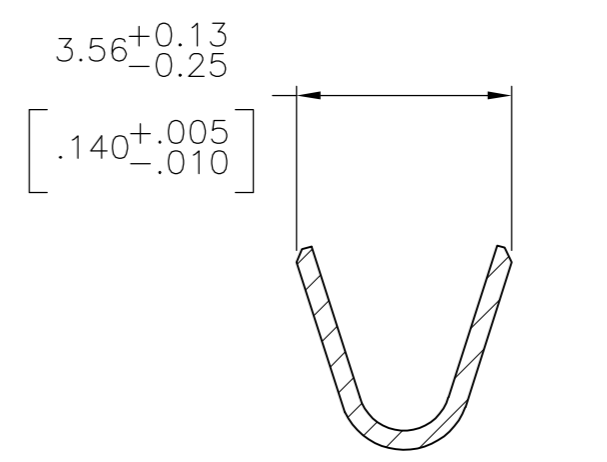
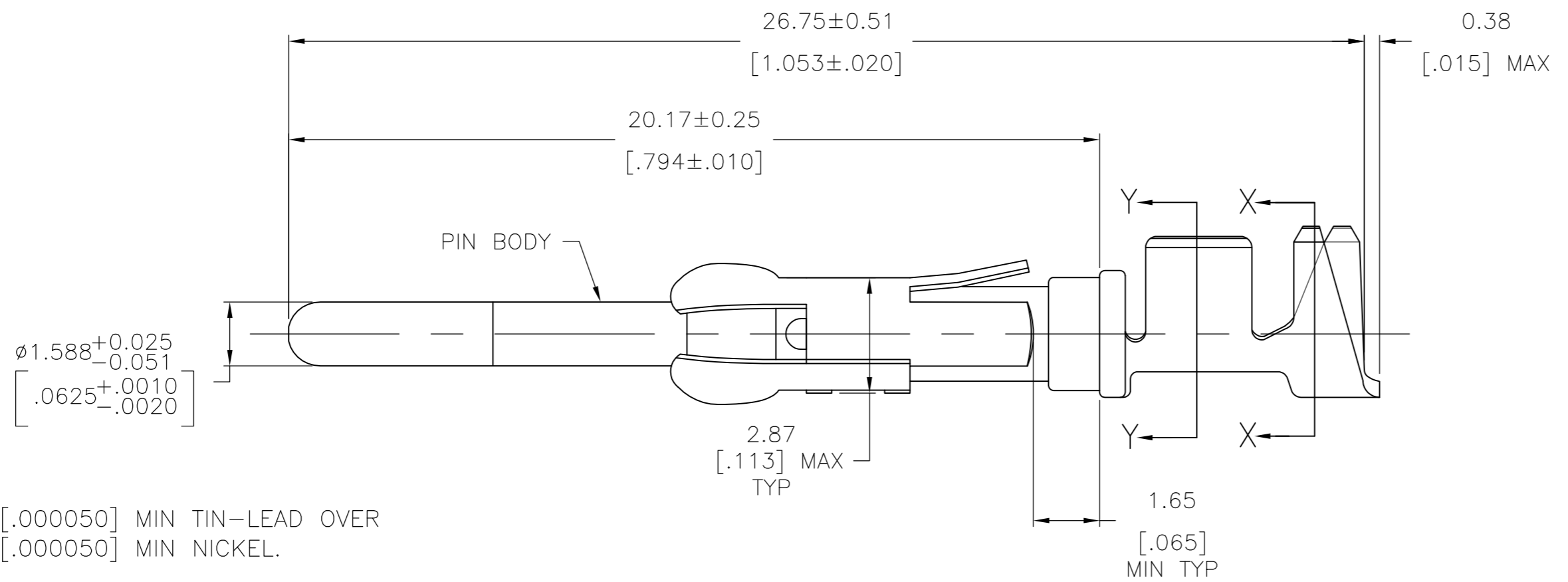
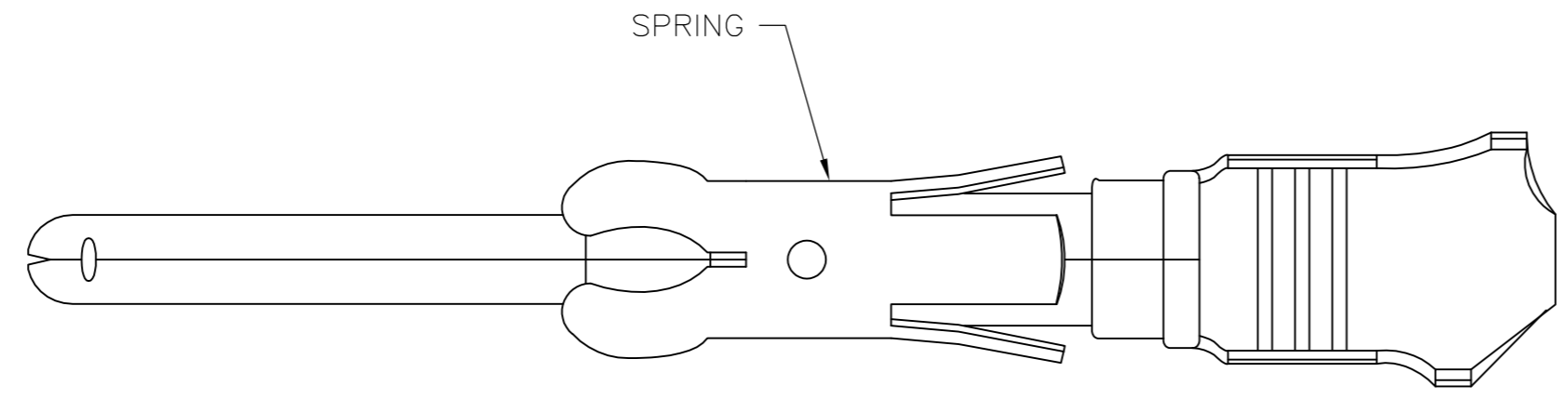
Email & Skype: info@chipsmall.com Web: www.chipsmall.com

Address: A1208, Overseas Decoration Building, #122 Zhenhua RD., Futian, Shenzhen, China



THIS DRAWING IS UNPUBLISHED. RELEASED FOR PUBLICATION
 © COPYRIGHT - By - ALL RIGHTS RESERVED.

LOC		DIST		REVISIONS			
P	LTR	DESCRIPTION		DATE	DWN	APVD	
FT	0	W	REVISED PER ECO-12-012316	05JUL12	KH	MZ	



- 1 1.27µm [.000050] MIN TIN-LEAD OVER
1.27µm [.000050] MIN NICKEL.
- 2 0.76µm [.000030] MIN PRECIOUS METAL PLATE ON MATING END FOR A LENGTH OF 5.08 [.200] MIN OVER 1.27µm [.000050] MIN NICKEL PLATE. GOLD FLASH ALL OVER. CONFORMS TO THE REQUIREMENTS OF TE CONNECTIVITY PRODUCT SPEC 108-10042, BASED ON EIA/ECA-364-1000.01A (CONTROLLED ENVIRONMENT APPLICATIONS).
- 3 BRASS PER MIL-C-50.
- 4 PHOSPHOR BRONZE PER QQ-B-750.
- 5 WIRE RANGE 14-18 AWG.
- 6 INSULATION RANGE 2.79[.110]-3.81[.150] DIA.
- 7 0.38µm [.000015] MIN GOLD PER MIL-G-45204 IN LOCALIZED PLATE AREA, 1.27µm [.000050] MIN TIN-LEAD PER MIL-T-10727 FOR A LENGTH OF 5.69 [.224] MIN ON OPPOSITE END, BOTH OVER 1.27µm [.000050] MIN NICKEL PER QQ-N-290 ON ENTIRE CONTACT.
- 8 1.27µm [.000050] MIN TIN OVER
1.27µm [.000050] MIN NICKEL.
- 9 CU-NI ALLOY
- 10 0.76µm [.000030] MIN PRECIOUS METAL PLATE ON MATING END FOR A LENGTH OF 5.08 [.200] MIN WITH 1.27µm [.000050] MIN MATTE TIN PLATE IN WIRE CRIMP AREA, BOTH OVER 1.27µm [.000050] MIN NICKEL PLATE. CONFORMS TO THE REQUIREMENTS OF TE CONNECTIVITY PRODUCT SPEC 108-10042, BASED ON EIA/ECA-364-1000.01A (CONTROLLED ENVIRONMENT APPLICATIONS).

OBSOLETE
 OBSOLETE
 OBSOLETE

SMALL PACK	3	8	66597-8	1-66602-1
STANDARD	9	8	1-66597-1	1-66602-0
STANDARD	9	2	1-66597-0	66602-9
STANDARD	3	8	66597-8	66602-8
SMALL PACK	3	10	66597-2	66602-7
SMALL PACK	3	1	66597-1	66602-6
OBSOLETE STANDARD	3	7	66597-7	66602-5
OBSOLETE STANDARD	4	2	66597-5	66602-4
OBSOLETE STANDARD	4	1	66597-4	66602-3
STANDARD	3	10	66597-2	66602-2
STANDARD	3	1	66597-1	66602-1
MATERIAL	MATERIAL	FINISH	STRIP P/N REF	

THIS DRAWING IS A CONTROLLED DOCUMENT.

DIMENSIONS: mm [INCHES]	TOLERANCES UNLESS OTHERWISE SPECIFIED:	DWN H MOLL 10-2-90	TE Connectivity
	0 PLC ± -	CHK J.MCCLINTON 12-15-90	
	1 PLC ± -	APVD A.BOULLIANNE 12-10-90	
	2 PLC ± 0.13[.005]	PRODUCT SPEC	
MATERIAL SPRING: SSTL	FINISH PIN BODY:SEE TBL	NAME	RESTRICTED TO
		SIZE A2	CAGE CODE 00779
		WEIGHT -	DRAWING NO C-66602
		CUSTOMER DRAWING	SCALE 8:1 SHEET 1 of 1 REV W