



Chipsmall Limited consists of a professional team with an average of over 10 year of expertise in the distribution of electronic components. Based in Hongkong, we have already established firm and mutual-benefit business relationships with customers from,Europe,America and south Asia,supplying obsolete and hard-to-find components to meet their specific needs.

With the principle of "Quality Parts,Customers Priority,Honest Operation,and Considerate Service",our business mainly focus on the distribution of electronic components. Line cards we deal with include Microchip,ALPS,ROHM,Xilinx,Pulse,ON,Everlight and Freescale. Main products comprise IC,Modules,Potentiometer,IC Socket,Relay,Connector.Our parts cover such applications as commercial,industrial, and automotives areas.

We are looking forward to setting up business relationship with you and hope to provide you with the best service and solution. Let us make a better world for our industry!



Contact us

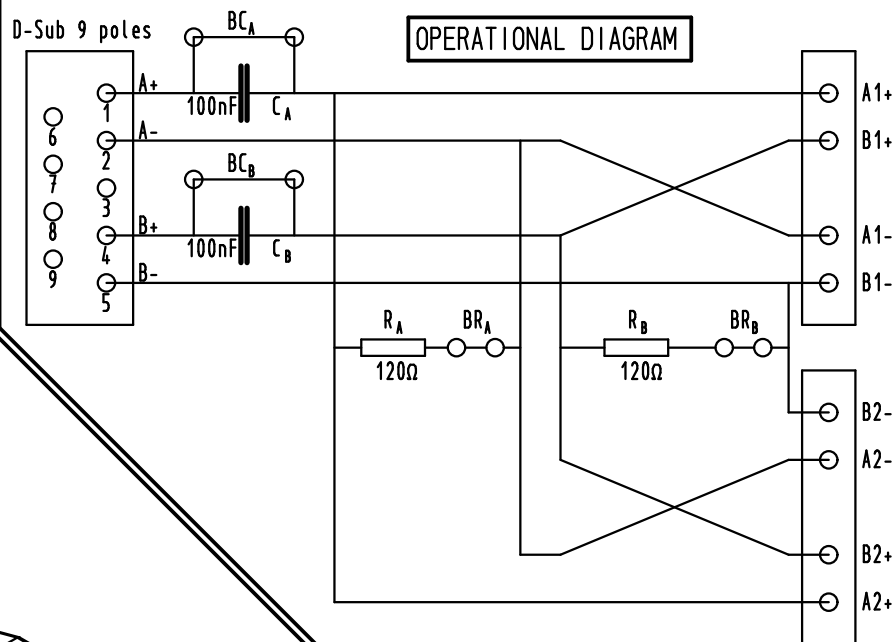
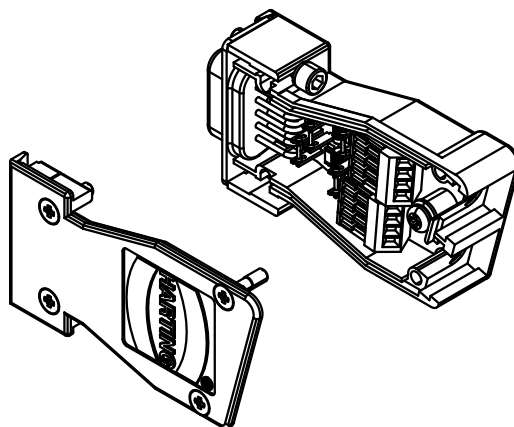
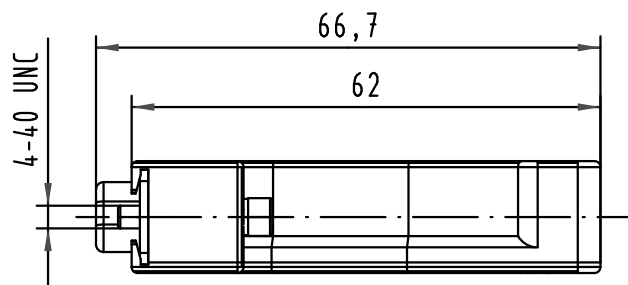
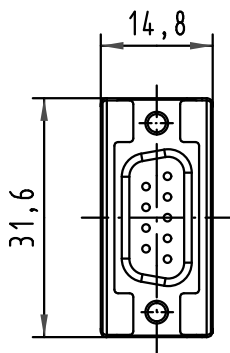
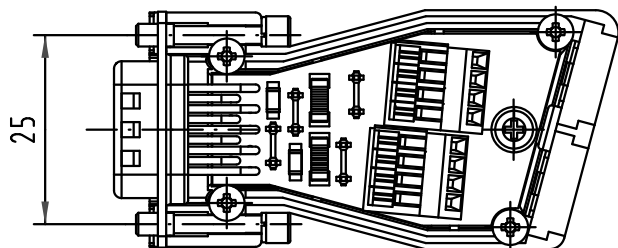
Tel: +86-755-8981 8866 Fax: +86-755-8427 6832

Email & Skype: info@chipsmall.com Web: www.chipsmall.com

Address: A1208, Overseas Decoration Building, #122 Zhenhua RD., Futian, Shenzhen, China



Darstellung ohne Deckel
view without cover



im Set enthalten :
in set inclusive :

Anzahl number	Bezeichnung description
2	Crimpflansch 6,0-7,0 crimp flange 6,0-7,0
2	Crimphülse 10,0-11,0 crimp ferrule 10,0-11,0
1	Blindstopfen 9-37 blanking piece 9-37
1	Etikett Reihe A label line A
1	Etikett Reihe B label line B
1	Etikett Reihe A + B label line A + B

All Dimensions in mm Original Size DIN A 4		Techn. Character.			Nicht tolerierte Maßel Free size tolerances	
		Dat.	Name	Maßstab/Scale 1:1	InduCom 9 Male - MVB/WTB - 4-40 UNC with crimp flanges 6,0-7,0 and ferrules 10,0-11,0	
		Detail.	06.04.05 Bus.			
		Insp.				
		Stand.				
36098	29/07/10	SC	HARTING EURL			TB 66 63 009 x013
32614			F-95972 PARIS			
Mod.	Dat.	Name	Sub.			Blatt/ page 1 / 1

66 63 009 5013	PL1
Part number	Performance level

TB 66 63 009 x013	Blatt/ page 1 / 1
Sub.	