



Chipsmall Limited consists of a professional team with an average of over 10 year of expertise in the distribution of electronic components. Based in Hongkong, we have already established firm and mutual-benefit business relationships with customers from,Europe,America and south Asia,supplying obsolete and hard-to-find components to meet their specific needs.

With the principle of "Quality Parts,Customers Priority,Honest Operation,and Considerate Service",our business mainly focus on the distribution of electronic components. Line cards we deal with include Microchip,ALPS,ROHM,Xilinx,Pulse,ON,Everlight and Freescale. Main products comprise IC,Modules,Potentiometer,IC Socket,Relay,Connector.Our parts cover such applications as commercial,industrial, and automotives areas.

We are looking forward to setting up business relationship with you and hope to provide you with the best service and solution. Let us make a better world for our industry!



Contact us

Tel: +86-755-8981 8866 Fax: +86-755-8427 6832

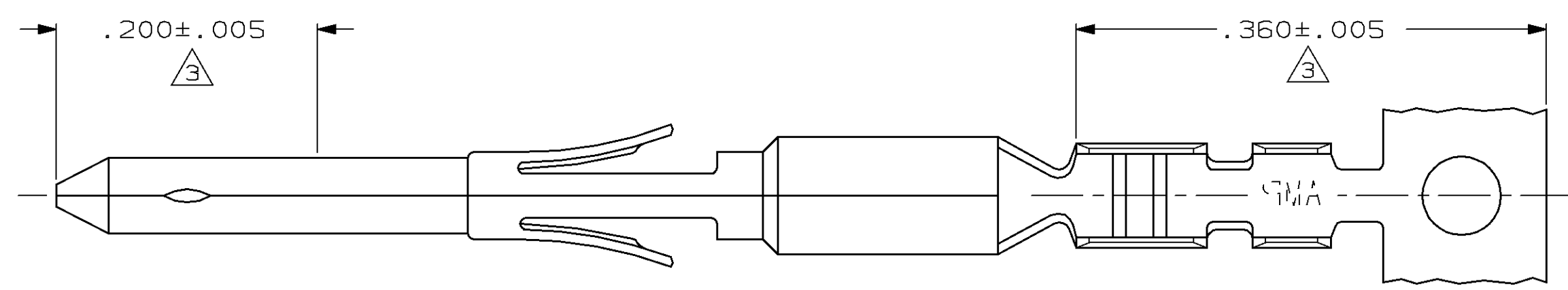
Email & Skype: info@chipsmall.com Web: www.chipsmall.com

Address: A1208, Overseas Decoration Building, #122 Zhenhua RD., Futian, Shenzhen, China

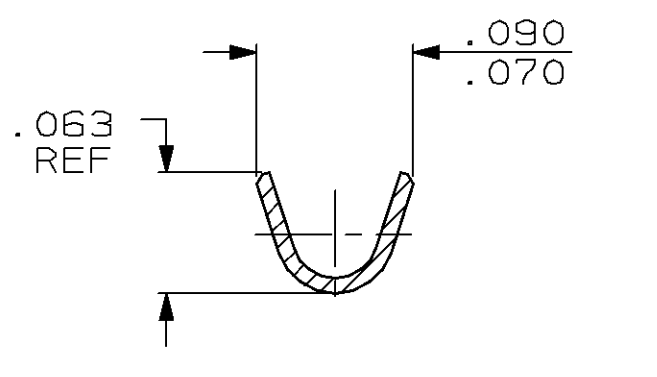
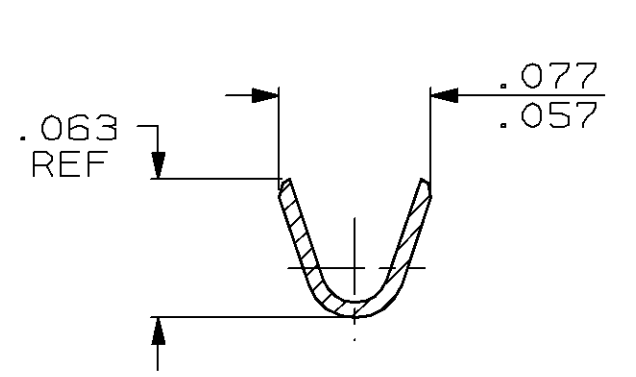
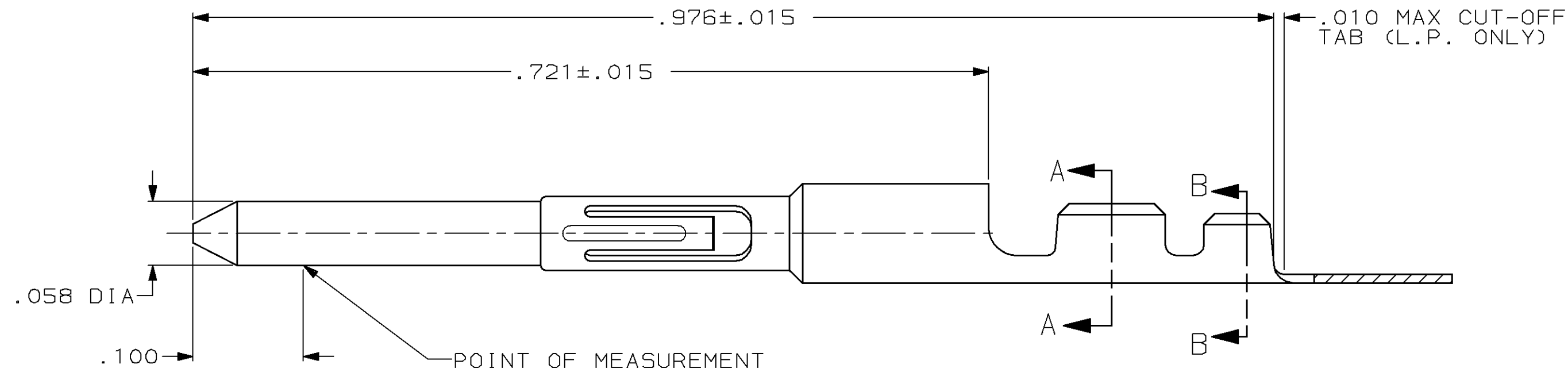


THIS DRAWING IS UNPUBLISHED. RELEASED FOR PUBLICATION ,19 .
 © COPYRIGHT 19 BY AMP INCORPORATED. ALL INTERNATIONAL RIGHTS RESERVED.

MOD	LOC	DIST	P	F	ZONE	LTR	DESCRIPTION	DATE	APPD
1	BD	20				D	REVISED & REDRAWN PER SP-46	8-27-87	-
						E	REVISED ECN-SP-84	2-11-88	LS DN
						F	REVISED ECN-SP-112	3-30-88	-
						G	OBS -3 PER EC 0020-1416-94	11/25/94	AT



- 1 WIRE RANGE : #28 - #22 AWG
- 2 INSULATION RANGE : .054 - .036 DIA.
- 3 DUPLEX PLATED .000150 MIN. TIN/LEAD ON WIRE BARREL END FOR LENGTH OF .360, .0000150 MIN. THK. GOLD ON MATING END FOR LENGTH OF .200 WITH ENTIRE CONTACT UNDERPLATED .000100 MAX. THK. NICKEL.
- 4 TIN PLATE .000050 MIN. THK OVER NICKEL.
- 5 SILVER PLATE .000100 MIN. THK. OVER COPPER.



OBSOLETE	---	5	66728-3
	66728-5	4	66728-2
OBSOLETE	66728-4	3	66728-1
	LOOSE PIECE P/N	FINISH	PART NO

DO NOT SCALE PRINT. UNLESS SPECIFIED DIMENSIONS IN INCHES TOLERANCES ON : 2 PLC DEC ± - 3 PLC DEC ± - ANGLES ± -	DR 10-13-87 L.SIPE	AMP INCORPORATED Harrisburg, Pa. 17105	
	CHK 10-13-87 S.WELDON		
MATERIAL	APPD 10-13-87 D.NEIDIG	CIRCULAR DIN, PIN CONTACT	
BRASS PER MIL-C-50	APPD 10-13-87 V.KUMAR		
FINISH	PRODUCT SPEC	SIZE	FSCM NO
SEE DASH NO'S	APPLICATION SPEC	C	00779
	WEIGHT	SCALE	DRAWING NO
	-	10:1	66728
			SHEET 1 OF 1