



Chipsmall Limited consists of a professional team with an average of over 10 year of expertise in the distribution of electronic components. Based in Hongkong, we have already established firm and mutual-benefit business relationships with customers from,Europe,America and south Asia,supplying obsolete and hard-to-find components to meet their specific needs.

With the principle of “Quality Parts,Customers Priority,Honest Operation,and Considerate Service”,our business mainly focus on the distribution of electronic components. Line cards we deal with include Microchip,ALPS,ROHM,Xilinx,Pulse,ON,Everlight and Freescale. Main products comprise IC,Modules,Potentiometer,IC Socket,Relay,Connector.Our parts cover such applications as commercial,industrial, and automotives areas.

We are looking forward to setting up business relationship with you and hope to provide you with the best service and solution. Let us make a better world for our industry!



Contact us

Tel: +86-755-8981 8866 Fax: +86-755-8427 6832

Email & Skype: info@chipsmall.com Web: www.chipsmall.com

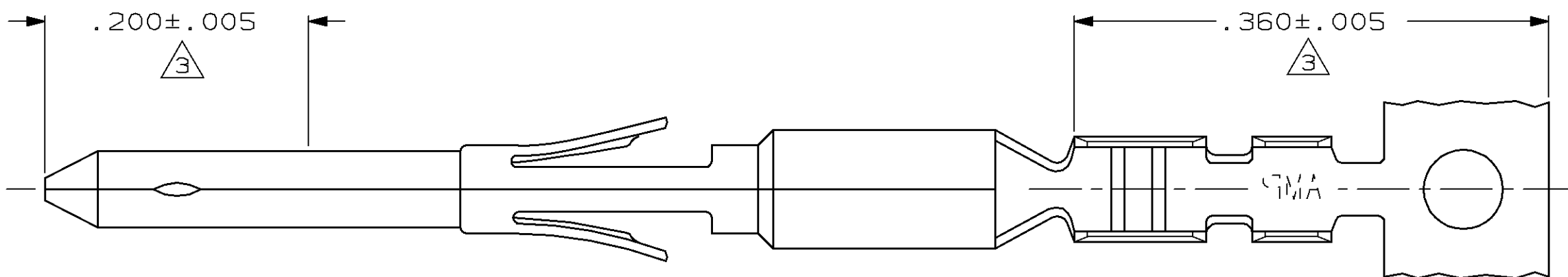
Address: A1208, Overseas Decoration Building, #122 Zhenhua RD., Futian, Shenzhen, China



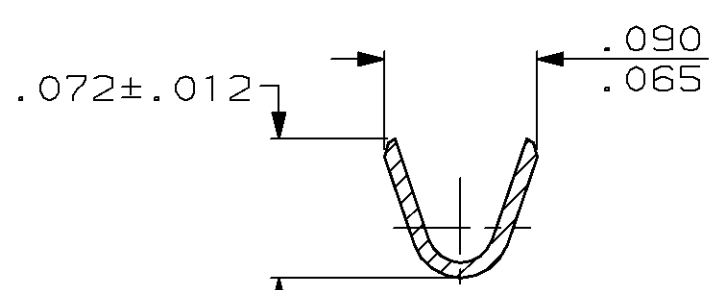
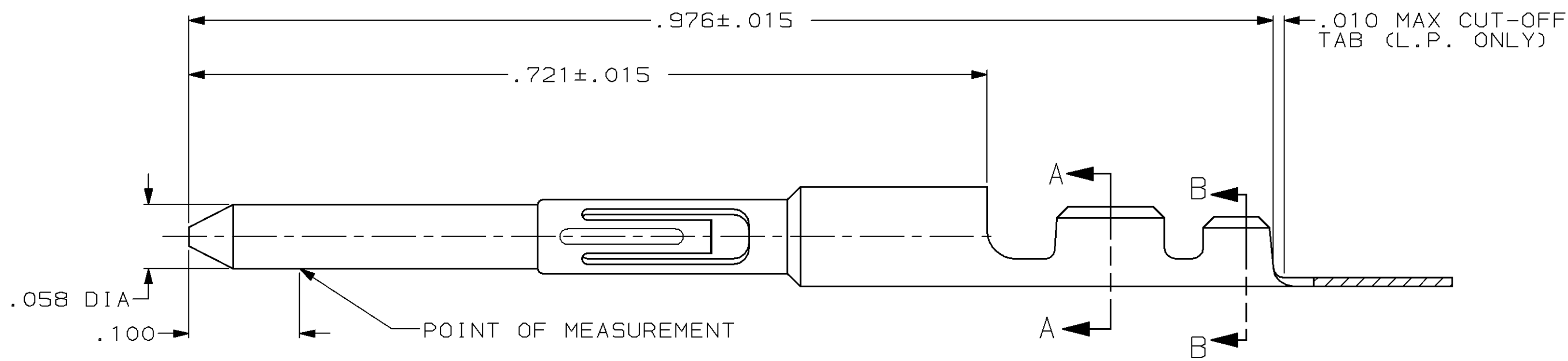
THIS DRAWING IS UNPUBLISHED. RELEASED FOR PUBLICATION, 19 .
 © COPYRIGHT 19 BY AMP INCORPORATED. ALL INTERNATIONAL RIGHTS RESERVED.

MOD 1 LOC BD DIST 20

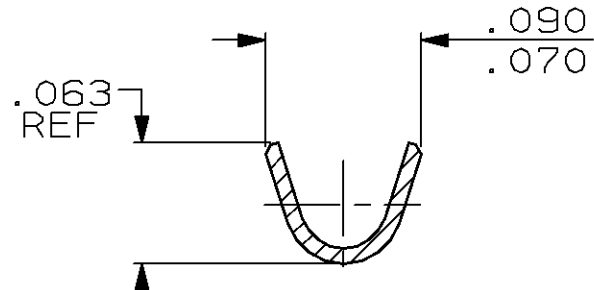
P		F		ZONE		LTR		DESCRIPTION	DATE	APPD
							E	REVISED & REDRAWN PER SP-46	8-27-87	-
							F	REVISED ECN-SP-85	2-11-88	-
							G	REVISED ECN BD2801	2-16-89	RW
							H	OBSOLETE -6 PER EC 0020-894-94	08/17/94	AT
							J	OBS -4 PER EC 0020-1416-94	11/25/94	AT



1. WIRE RANGE: #24 - #20 AWG.
2. INSULATION RANGE: .054 - .036 DIA.
3. DUPLEX PLATED .000150 MIN. TIN/LEAD ON WIRE BARREL END FOR LENGTH OF .360, .0000150 MIN. THK. GOLD ON MATING END FOR A LENGTH OF .200 WITH ENTIRE CONTACT UNDERPLATED .000100 MAX. THK. NICKEL.
4. TIN PLATE .000050 MIN. THK OVER NICKEL.
5. SILVER PLATE .000100 MIN. THK. OVER COPPER.
6. OBSOLETE PART NUMBER.



SECTION A-A



SECTION B-B

-	5	6	66735-6
6	66735-4	4	66735-2
6	66735-3	3	66735-1
LOOSE PIECE P/N	FINISH	PART NO	

DO NOT SCALE PRINT. UNLESS SPECIFIED DIMENSIONS IN INCHES TOLERANCES ON: 2 PLC DEC ± - 3 PLC DEC ± - ANGLES ± -	DR 10-6-87 L.SIPE	AMP Incorporated Harrisburg, PA 17105-3608	
	CHK 10-13-87 S.WELDON		
MATERIAL BRASS PER MIL-C-50	APPD 10-13-87 D.NEIDIG	NAME CIRCULAR DIN, PIN CONTACT	
FINISH SEE TABLE	APPD 10-13-87 V.KUMAR	SIZE C	CAGE CODE 00779
	APPLICATION SPEC -	DRAWING NO C=66735	SHEET 1 OF 1
	WEIGHT -	SCALE 10:1	

THIS DRAWING IS A CONTROLLED DOCUMENT FOR AMP INCORPORATED. IT IS SUBJECT TO CHANGE AND THE CONTROLLING ENGINEERING ORGANIZATION SHOULD BE CONTACTED FOR THE LATEST REVISION.