



Chipsmall Limited consists of a professional team with an average of over 10 year of expertise in the distribution of electronic components. Based in Hongkong, we have already established firm and mutual-benefit business relationships with customers from,Europe,America and south Asia,supplying obsolete and hard-to-find components to meet their specific needs.

With the principle of “Quality Parts,Customers Priority,Honest Operation,and Considerate Service”,our business mainly focus on the distribution of electronic components. Line cards we deal with include Microchip,ALPS,ROHM,Xilinx,Pulse,ON,Everlight and Freescale. Main products comprise IC,Modules,Potentiometer,IC Socket,Relay,Connector.Our parts cover such applications as commercial,industrial, and automotives areas.

We are looking forward to setting up business relationship with you and hope to provide you with the best service and solution. Let us make a better world for our industry!



## Contact us

Tel: +86-755-8981 8866 Fax: +86-755-8427 6832

Email & Skype: info@chipsmall.com Web: www.chipsmall.com

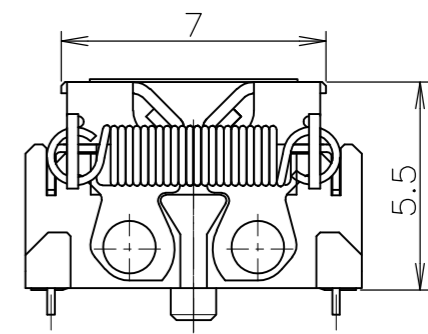
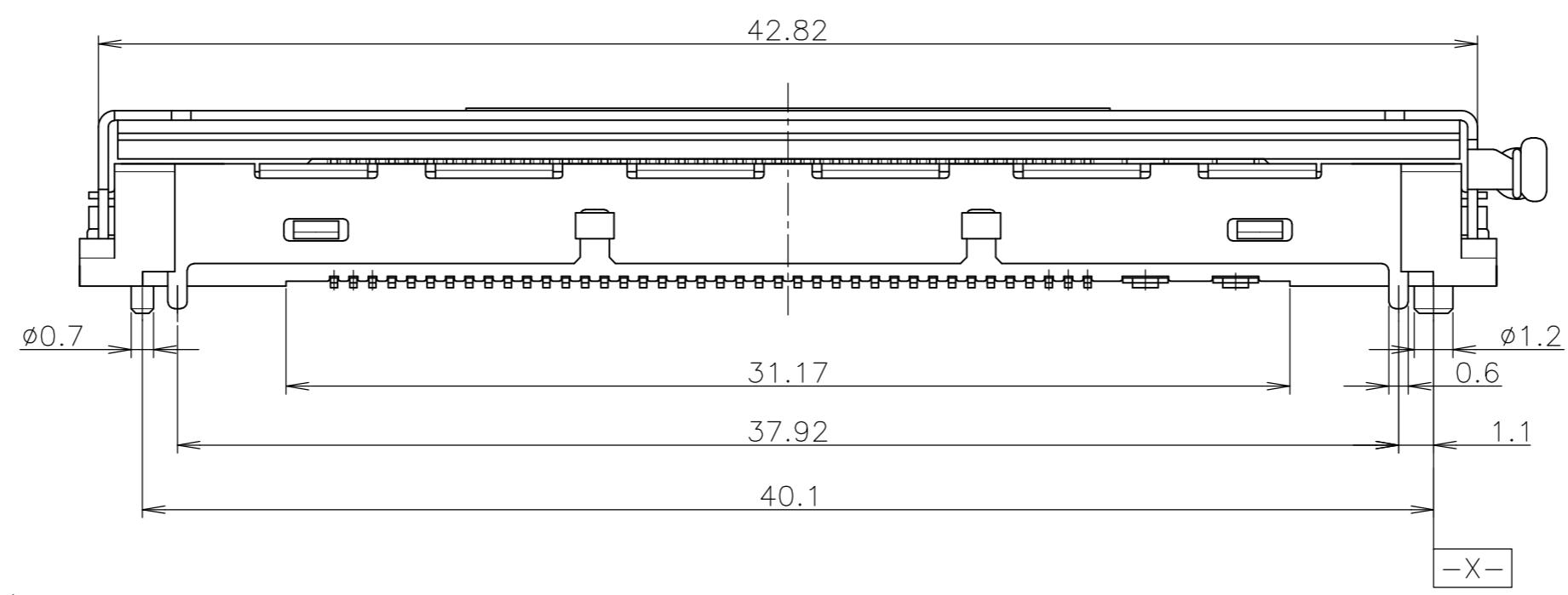
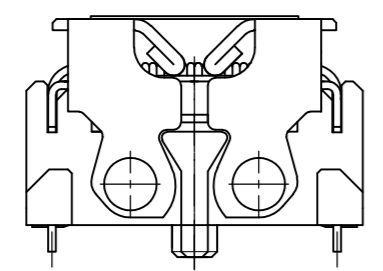
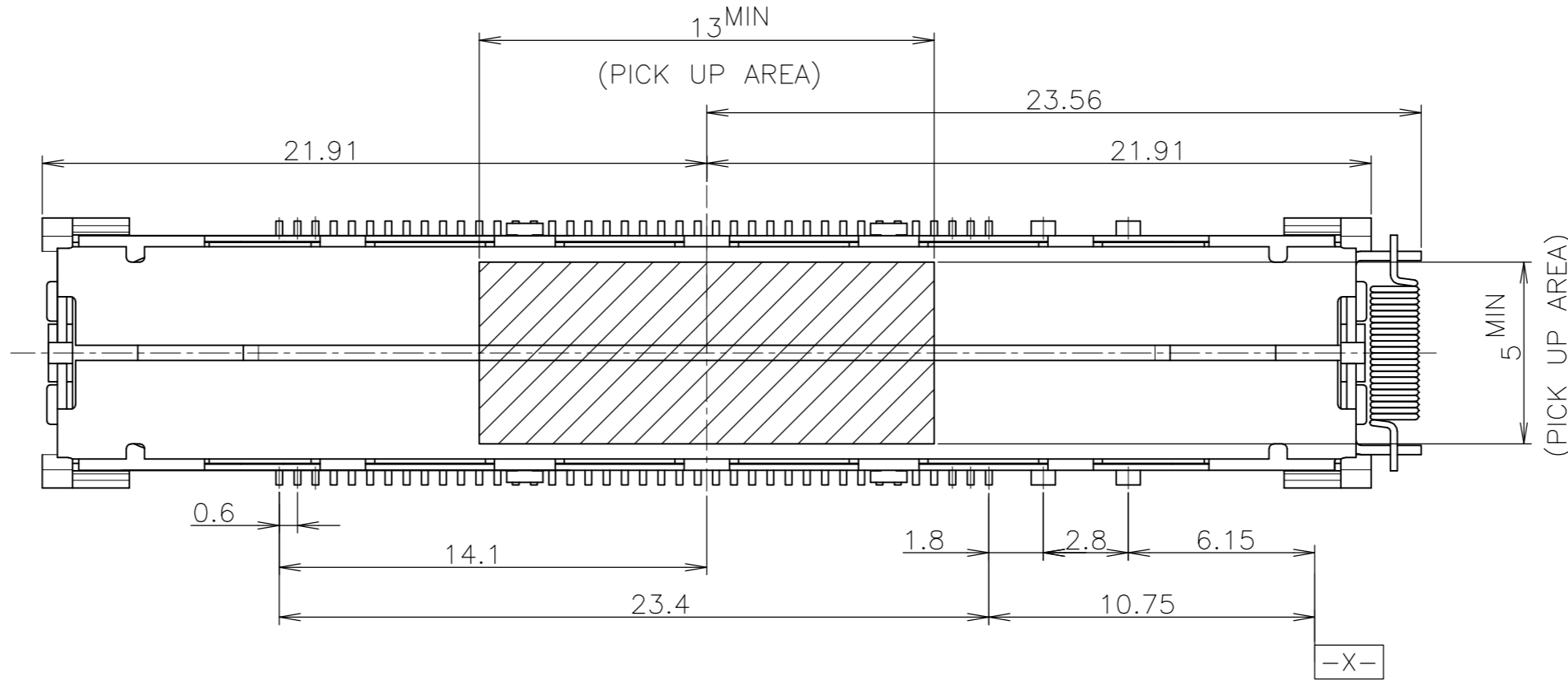
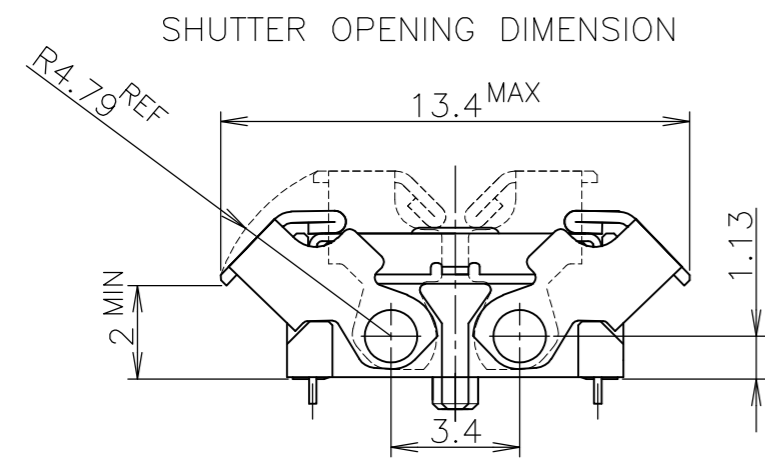
Address: A1208, Overseas Decoration Building, #122 Zhenhua RD., Futian, Shenzhen, China



THIS DRAWING IS UNPUBLISHED. RELEASED FOR PUBLICATION OCT., 2002.  
 © COPYRIGHT 2002 BY TYCO ELECTRONICS CORPORATION. ALL RIGHTS RESERVED.

LOC	DIST	REVISED			DATE	DWN	APVD
J		P	LTR	DESCRIPTION	15OCT07	T.T	T.F
		C		REVISED			

-1 & -3 ; AS SHOWN



- △ MATERIAL
  - HOUSING : THERMOPLASTIC, UL94V-0, BLACK
  - SIGNAL CONTACT: COPPER ALLOY
  - POWER CONTACT : COPPER ALLOY
  - GROUND PLATE : COPPER ALLOY
  - SHUTTER COVER, SPRING : STAINLESS STEEL
- △ FINISH
  - SIGNAL CONTACT & POWER CONTACT:
    - Au PL. ON CONTACT AREA
    - TIN PL. ON SOLDER AREA
    - Ni UNDER PL. ALL OVER
  - GROUND PLATE:
    - 6674154-1 TIN PL. (REFLOW) / Ni UNDER PL.
    - 6674154-3 SELECTIVE TIN PL. (REFLOW) / Ni UNDER PL.
  - SHUTTER COVER: BLACK Ni PL.

- △ 材質
  - ハウジング : 熱可塑性樹脂 UL94V-0, 黒
  - シグナルコンタクト: 銅合金
  - パワーコンタクト : 銅合金
  - グラウンドプレート : 銅合金
  - シャッターカバー、スプリング : ステンレス鋼
- △ 仕上げ
  - シグナルコンタクト & パワーコンタクト:
    - ニッケル下地接点部金めっき、 はんだ付け部すずめっき
  - グラウンドプレート:
    - 6674154-1 すずめっき (リフロー) / ニッケル下地めっき
    - 6674154-3 部分すずめっき (リフロー) / ニッケル下地めっき
  - シャッターカバー: 黒色ニッケルめっき

- 3 適用基板厚 : 1.2±0.1mm
- 4 かん合相手型番 : 6674147-1
- 5 トレイ 材質 ; PS 色 ; NATURAL
- 6 トレイの寸法とコネクタの方向は本図を参照のこと
- 7 一般公差 : ±0.3 ±3'
- 8 数量 : 50EA/TRAY

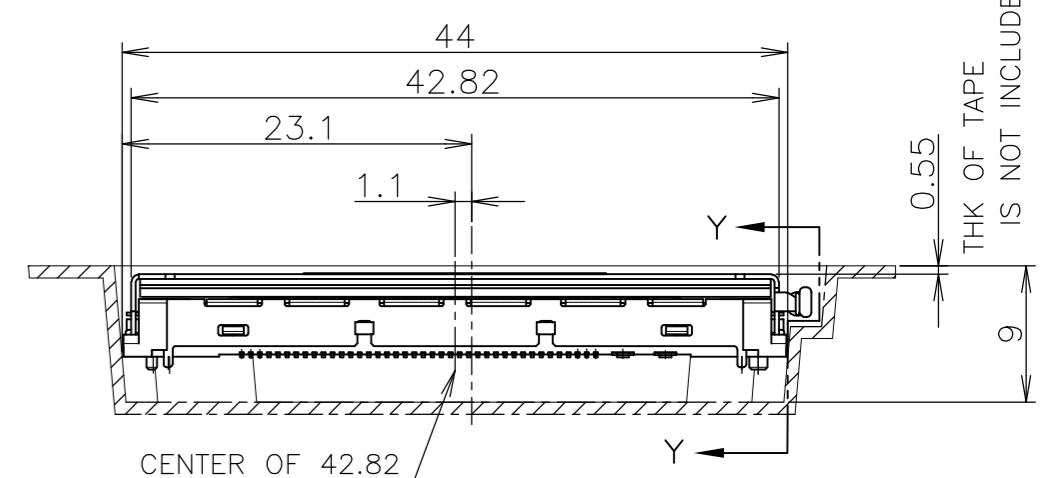
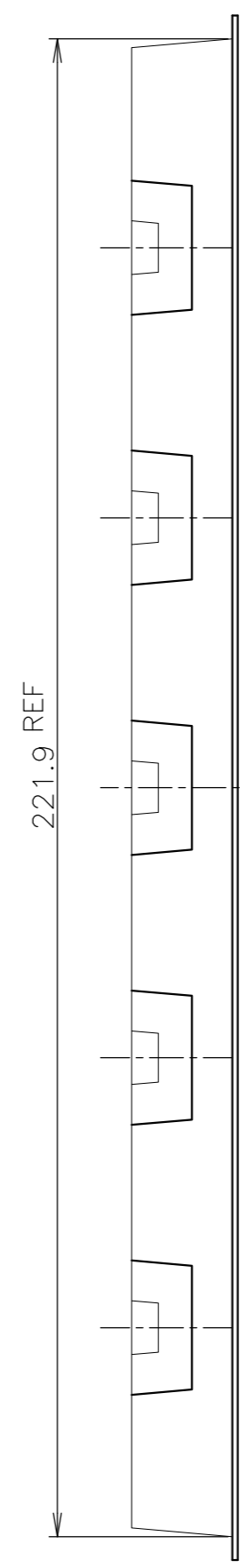
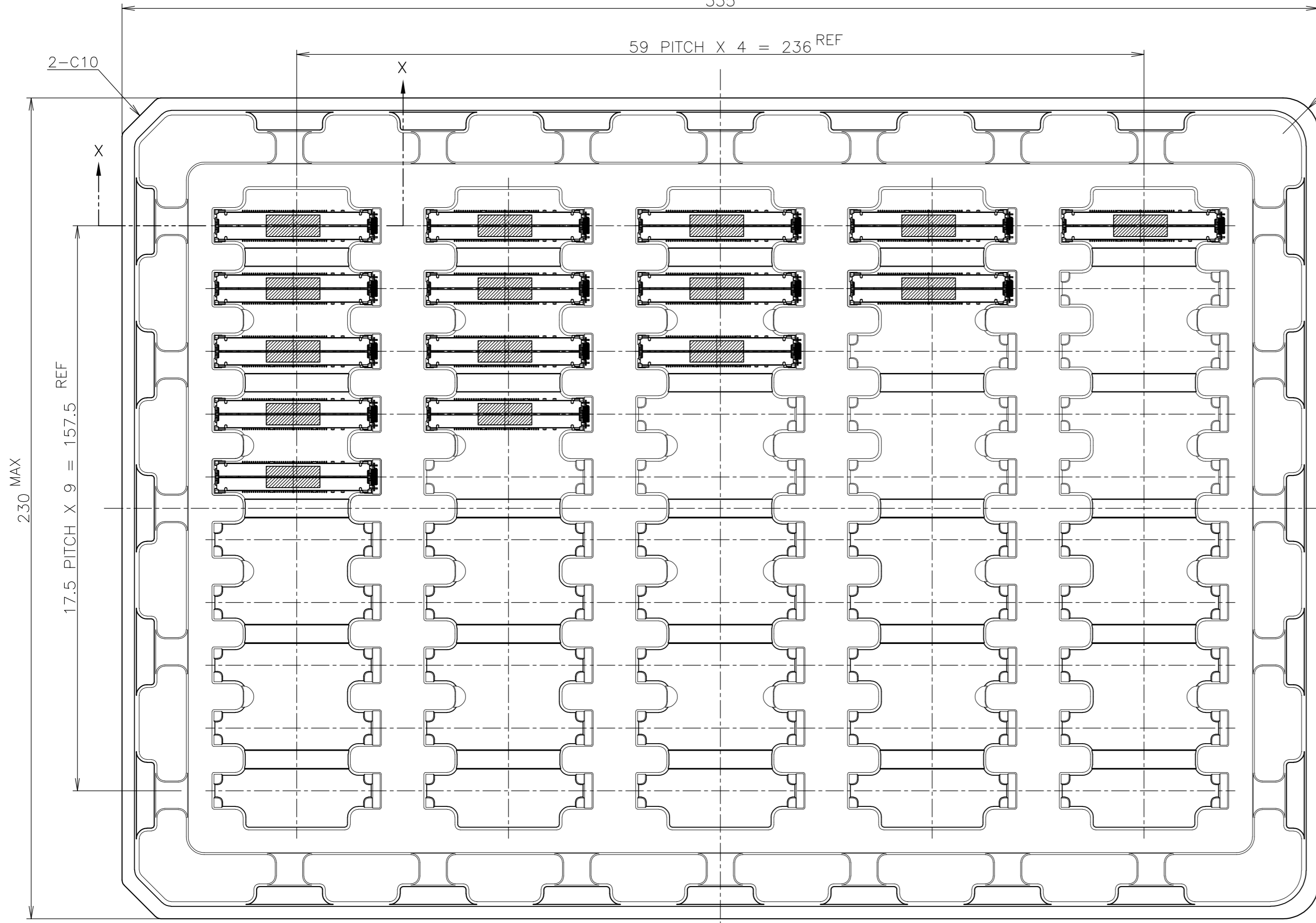
BLACK	SELECTIVE TIN-PLATED (REFLOW)	6674154-3
BLACK	TIN-PLATED (REFLOW)	6674154-1
SHUTTER COLOR	GROUND PLATE FINISH	PARTS NUMBER

THIS DRAWING IS A CONTROLLED DOCUMENT.		DWN	30AUG04	Tyco Electronics Corporation Kawasaki, Japan
DIMENSIONS: 単位: 耗 MM		CHK	30AUG04	
TOLERANCES UNLESS OTHERWISE SPECIFIED: 一般公差		APVD	09OCT04	
0 PLC ± 1 PLC ± 2 PLC ± 3 PLC ± 4 PLC ± ANGLES ±		NAME	Y.YAMAMOTO	
MATERIAL 材料	FINISH 仕上	PRODUCT SPEC	108-78253	0.6 DOCKING CONNECTOR W/SHUTTER
		APPLICATION SPEC	取付適用規格	PLUG 80P + POWER 4P
		WEIGHT	3.0g	SIZE
		CUSTOMER DRAWING		CAGE CODE
				DRAWING NO
				番号
				RESTRICTED TO
				SCALE
				5:1
				SHEET
				1 OF 3
				REV
				C

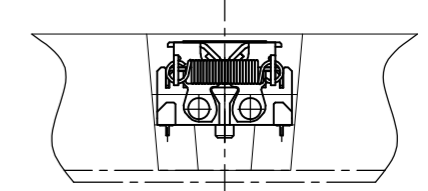
THIS DRAWING IS UNPUBLISHED. RELEASED FOR PUBLICATION OCT., 2002.  
 © COPYRIGHT 2002 BY TYCO ELECTRONICS CORPORATION. ALL RIGHTS RESERVED.

LOC		DIST		REVISIONS					
J				P	LTR	DESCRIPTION	DATE	DWN	APVD
				-		SEE SHEET 1	-	-	-

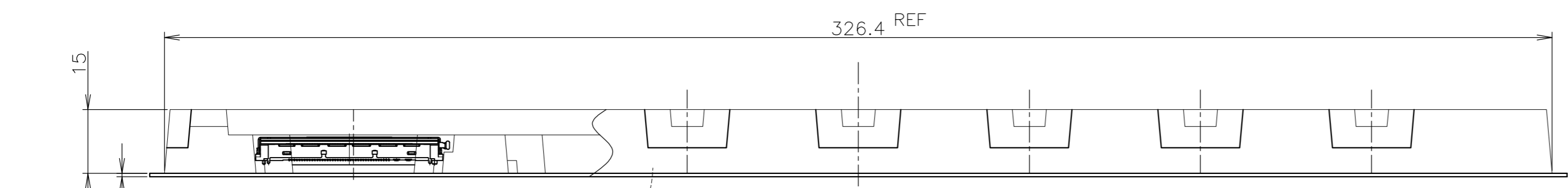
# SEMI HARD TRAY ASSY



DETAIL C  
SCALE 2:1



Y-Y



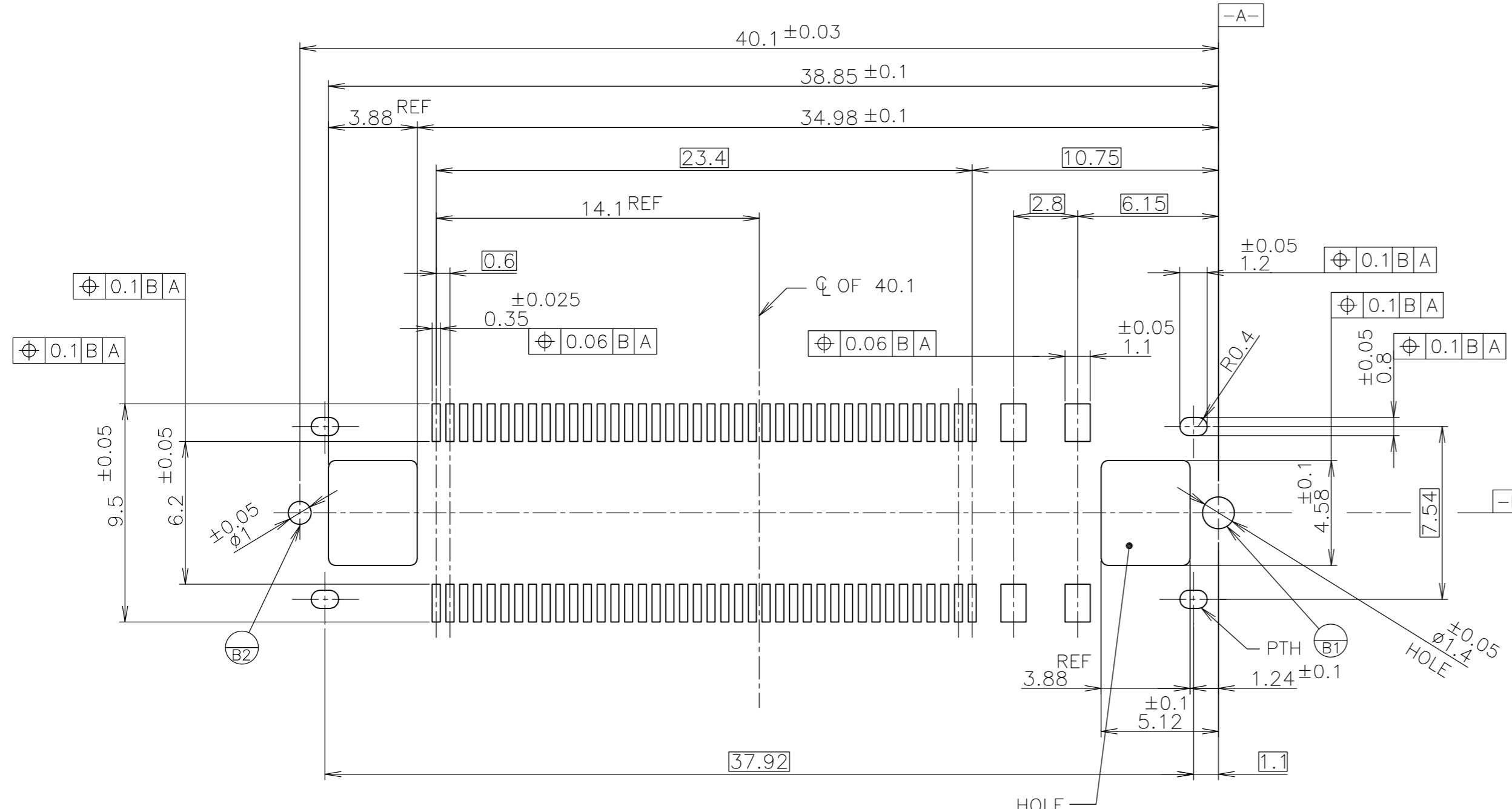
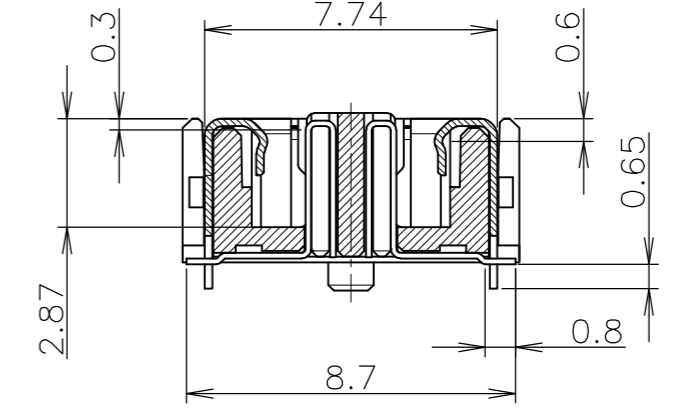
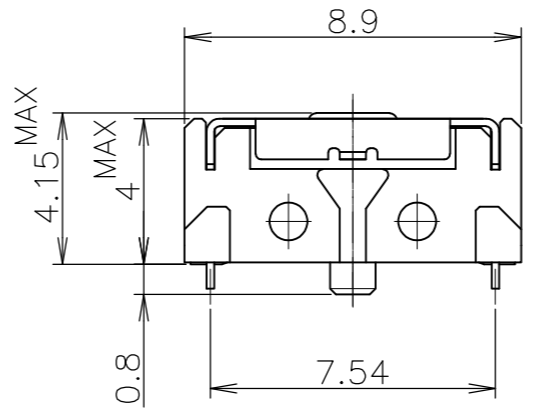
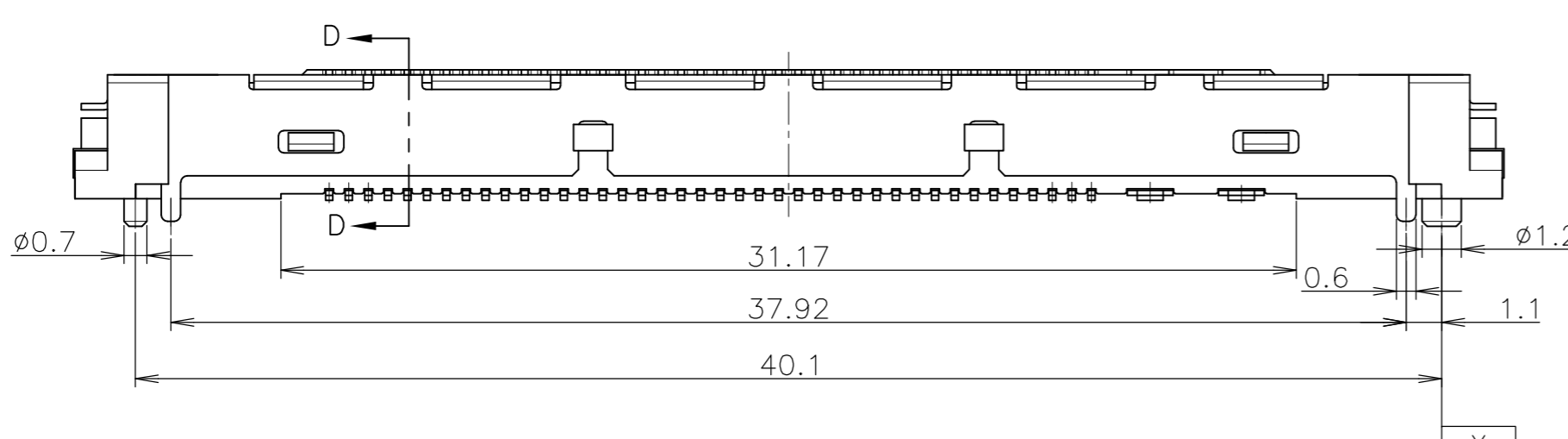
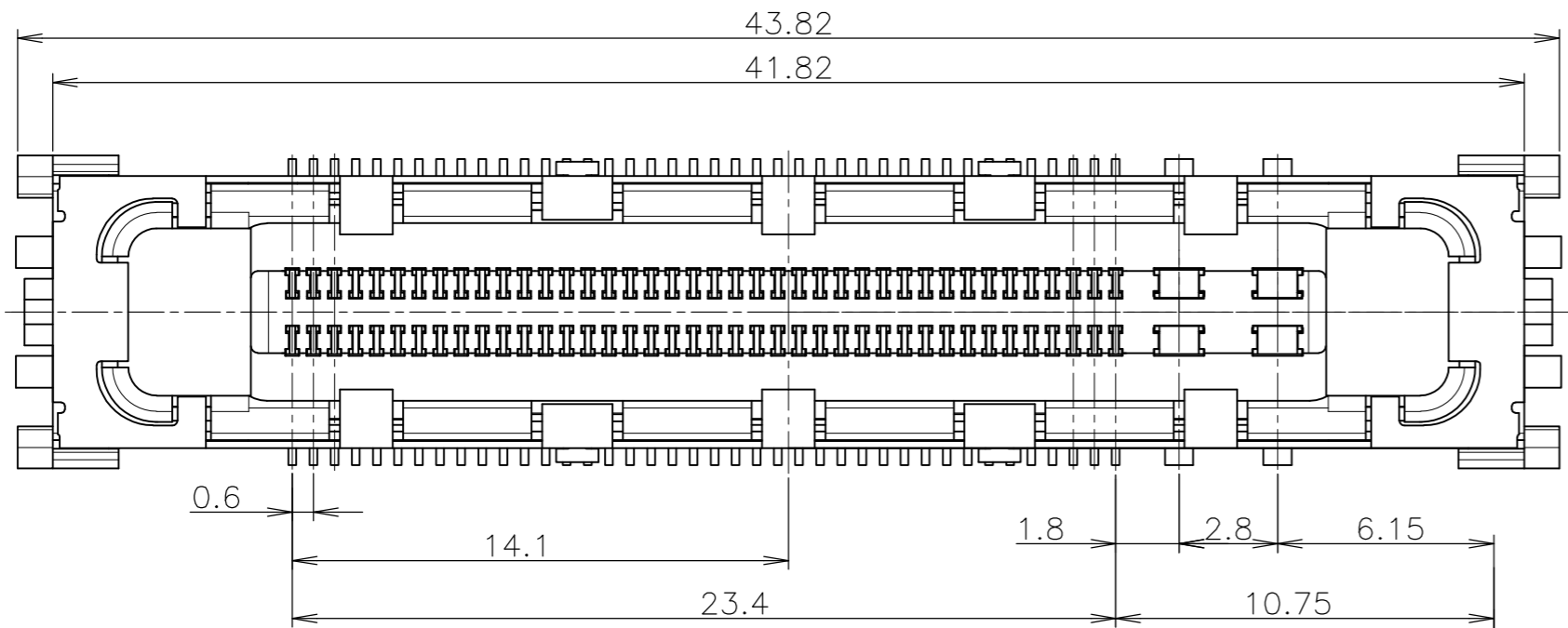
X-X

DETAIL C

THIS DRAWING IS A CONTROLLED DOCUMENT.		DWN	Tyco Electronics Corporation	
DIMENSIONS: 單位: 耗 MM		CHK	Kawasaki, Japan	
TOLERANCES UNLESS OTHERWISE SPECIFIED 一般公差		APVD	NAME 名称	
0 PLC ±	1 PLC ±	PRODUCT SPEC 製品規格	0.6 DOCKING CONNECTOR W/SHUTTER	
2 PLC ±	3 PLC ±	APPLICATION SPEC 取付適用規格	PLUG 80P + POWER 4P	
4 PLC ±	ANGLES ±	WEIGHT	SIZE A2	CAGE CODE 00779
FINISH 仕上		CUSTOMER DRAWING	DRAWING NO. C=6674154	RESTRICTED TO
			SCALE 1:1	SHEET 2 OF 3

THIS DRAWING IS UNPUBLISHED. RELEASED FOR PUBLICATION OCT., 2002.  
© COPYRIGHT 2002 BY TYCO ELECTRONICS CORPORATION. ALL RIGHTS RESERVED.

LOC			DIST			REVISIONS			DATE			DWN			APVD		
J			-			変更			-			-			-		
P			LTR			DESCRIPTION			-			-			-		
-			-			SEE SHEET 1			-			-			-		



REFERENTIAL P.C.BOARD LAYOUT

THIS DRAWING IS A CONTROLLED DOCUMENT.				DWN		Tyco Electronics Corporation Kawasaki, Japan			
DIMENSIONS: 単位: 純 MM				TOLERANCES UNLESS OTHERWISE SPECIFIED		NAME 名称			
0 PLC ±				TOLERANCES UNLESS OTHERWISE SPECIFIED		PRODUCT SPEC			
1 PLC ±				TOLERANCES UNLESS OTHERWISE SPECIFIED		製品規格			
2 PLC ±				TOLERANCES UNLESS OTHERWISE SPECIFIED		APPLICATION SPEC			
3 PLC ±				TOLERANCES UNLESS OTHERWISE SPECIFIED		取付適用規格			
4 PLC ±				TOLERANCES UNLESS OTHERWISE SPECIFIED		WEIGHT			
FINISH 仕上				FINISH		SIZE A2			
MATERIAL				FINISH		CAGE CODE 00779			
HOLE				FINISH		DRAWING NO C=6674154			
HOLE				FINISH		RESTRICTED TO			
HOLE				FINISH		SCALE 尺度 5:1			
HOLE				FINISH		SHEET 3 OF 3			
HOLE				FINISH		REV C			
HOLE				FINISH		CUSTOMER DRAWING			