



Chipsmall Limited consists of a professional team with an average of over 10 year of expertise in the distribution of electronic components. Based in Hongkong, we have already established firm and mutual-benefit business relationships with customers from,Europe,America and south Asia,supplying obsolete and hard-to-find components to meet their specific needs.

With the principle of “Quality Parts,Customers Priority,Honest Operation,and Considerate Service”,our business mainly focus on the distribution of electronic components. Line cards we deal with include Microchip,ALPS,ROHM,Xilinx,Pulse,ON,Everlight and Freescale. Main products comprise IC,Modules,Potentiometer,IC Socket,Relay,Connector.Our parts cover such applications as commercial,industrial, and automotives areas.

We are looking forward to setting up business relationship with you and hope to provide you with the best service and solution. Let us make a better world for our industry!



Contact us

Tel: +86-755-8981 8866 Fax: +86-755-8427 6832

Email & Skype: info@chipsmall.com Web: www.chipsmall.com

Address: A1208, Overseas Decoration Building, #122 Zhenhua RD., Futian, Shenzhen, China



4

3

2

1

THIS DRAWING IS UNPUBLISHED. RELEASED FOR PUBLICATION
 © COPYRIGHT BY TYCO ELECTRONICS CORPORATION. ALL RIGHTS RESERVED.

LOC	DIST	REVISIONS			
P	LTR	DESCRIPTION	DATE	DWN	APVD
J	-	RELEASED	FJB0-1113-04	25AUG2004	J.Z I.E

D

C

B

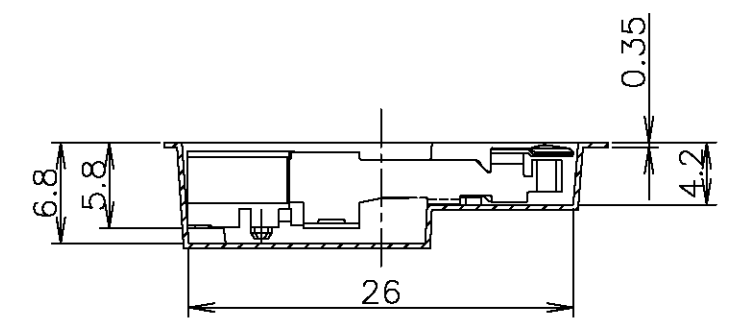
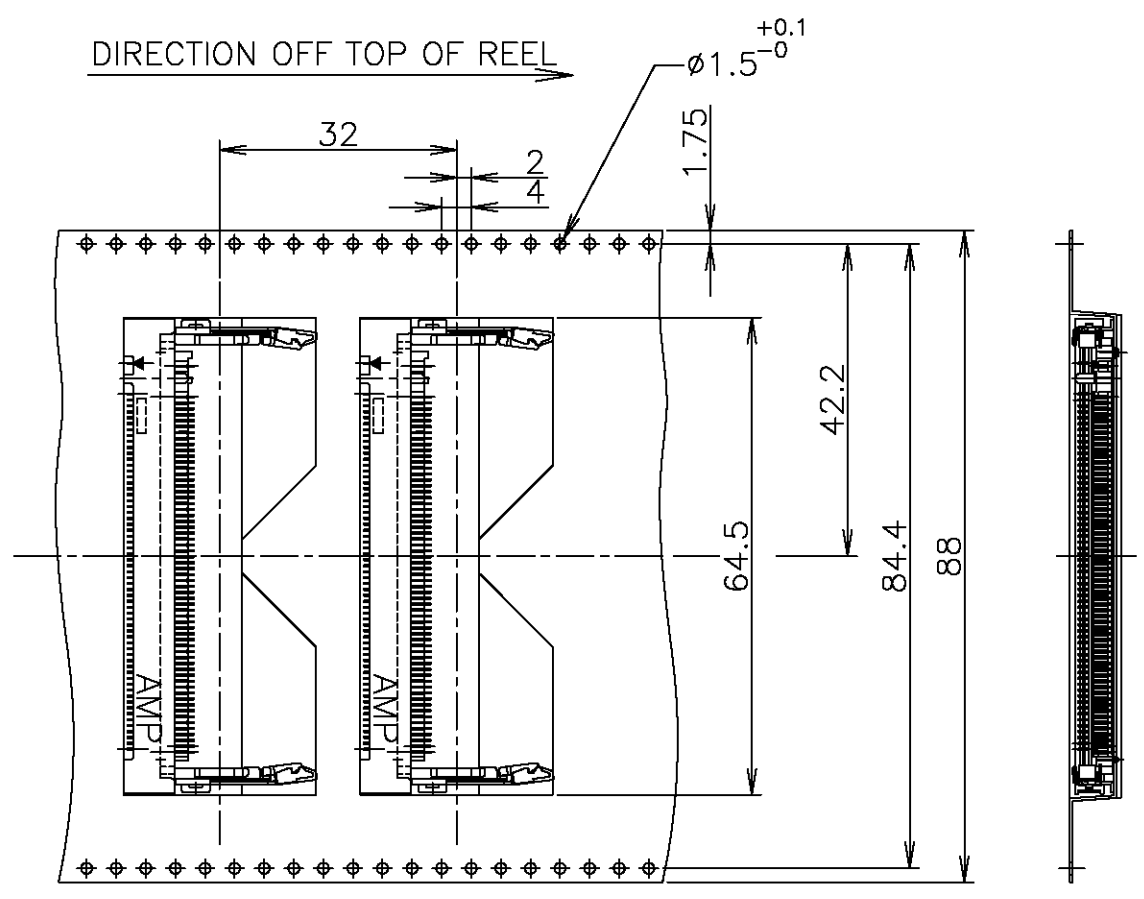
A

D

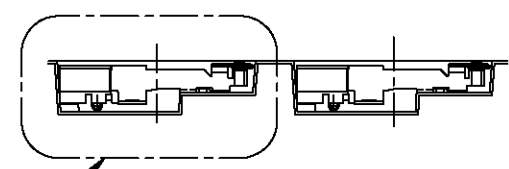
C

B

A

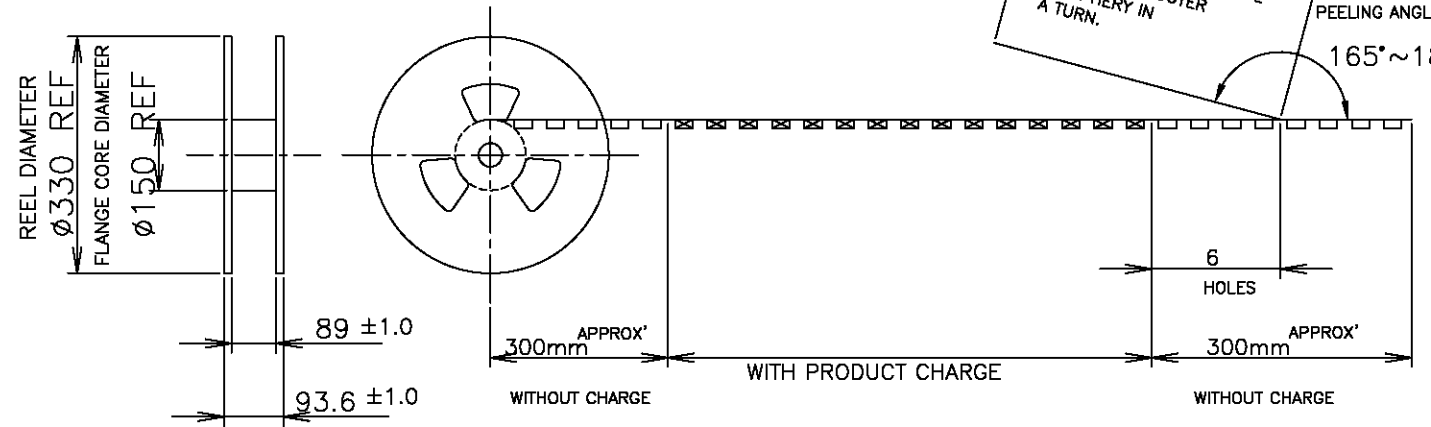


DETAIL A
(SCALE 2:1)



SEE DETAIL A

WEEDING THE COVER TAPE AROUND THE OUTER PERIPHERY IN A TURN.
 PEELING ANGLE: 165°~180°



LEAD FREE

GENERAL TOLERANCE
 10 ≥ : ±0.2
 30 ≥ > 10: ±0.25
 100 ≥ > 30: ±0.3
 ANGLES: ±3°

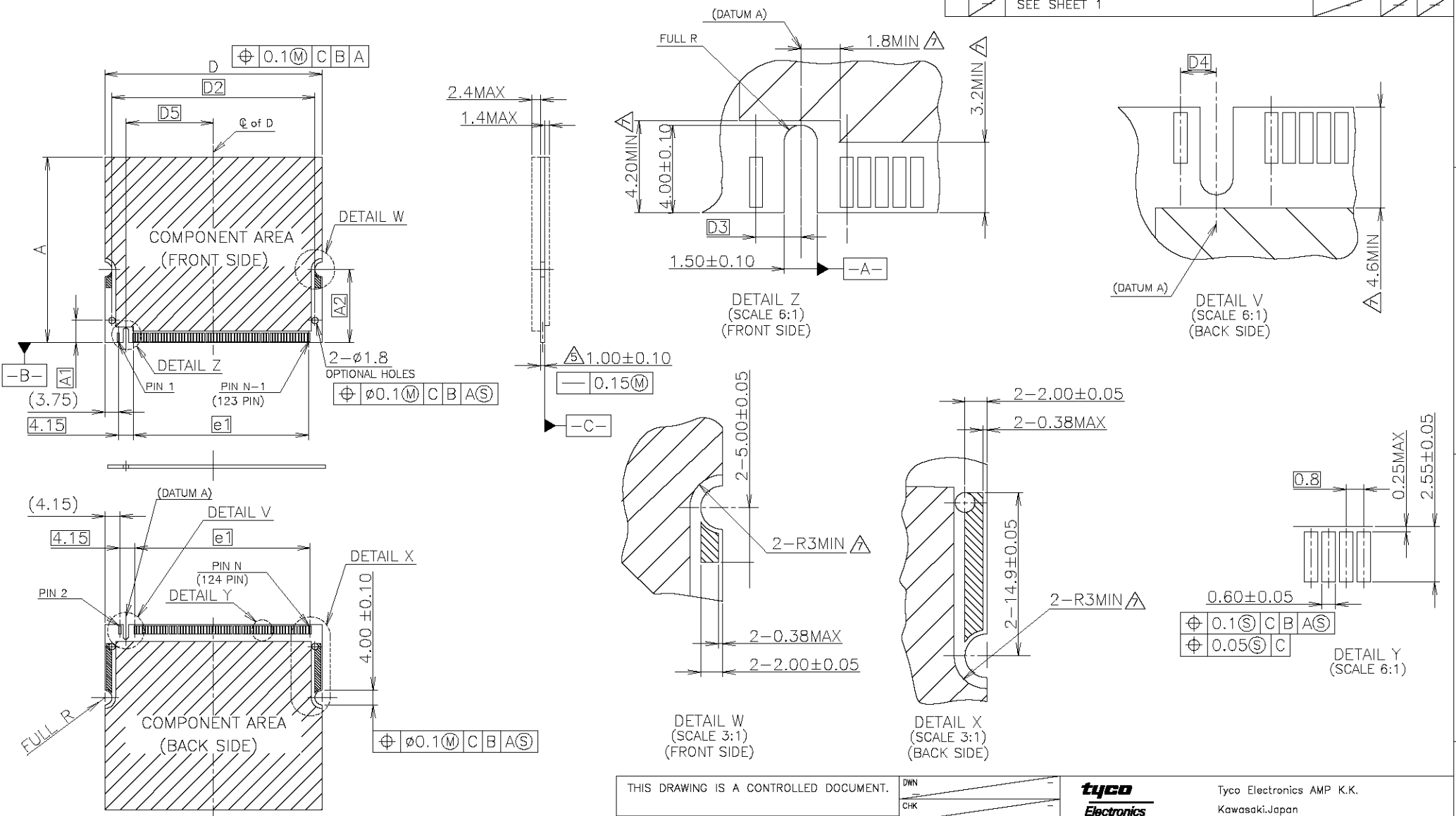
THIS DRAWING IS A CONTROLLED DOCUMENT.	
DIMENSIONS: MM	TOLERANCES UNLESS OTHERWISE SPECIFIED:
	0 PLC ± -
	1 PLC ± -
	2 PLC ± -
	3 PLC ± -
	4 PLC ± -
MATERIAL	ANGLES ± -
	FINISH

DWN	25AUG2004
CHK	Julyee Zhu
APVD	25AUG2004
APVD	Steven Yao
PRODUCT SPEC	Ikuo Enomoto
APPLICATION SPEC	108-60039
WEIGHT	
CUSTOMER DRAWING	

180		1485678-5		6674161-1	
QTY		EMBOSS P/N		P/N	
Tyco Electronics AMP K.K. Kawasaki, Japan					
NAME					
EMBOSS ASSY					
FAXMODEM SOCKET 124POS.					
5.2mm HEIGHT					
SIZE	CAGE CODE	DRAWING NO	RESTRICTED TO		
A3	00779	6674161			
SCALE		SHEET		REV	
1:1		1 OF 5		0	

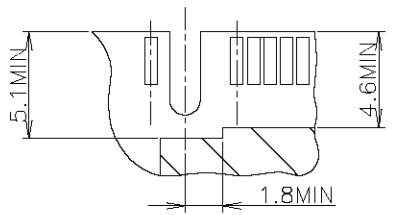
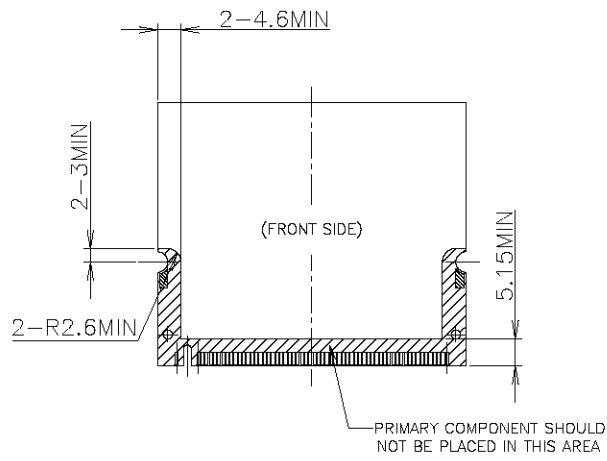
THIS DRAWING IS UNPUBLISHED. RELEASED FOR PUBLICATION
 © COPYRIGHT 1999 BY TYCO ELECTRONICS CORPORATION. ALL RIGHTS RESERVED.

LOC		DIST		REVISIONS					
J				P	LTR	DESCRIPTION	DATE	DWN	APVD
				SEE SHEET 1					

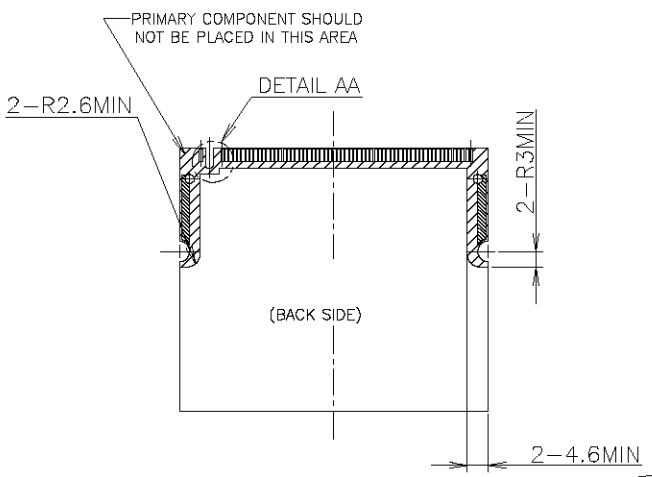


LEAD FREE

THIS DRAWING IS A CONTROLLED DOCUMENT.		DWN	tyco			Tyco Electronics AMP K.K.	
		CHK	Electronics			Kawasaki, Japan	
DIMENSIONS: MM		APVD	NAME				
TOLERANCES UNLESS OTHERWISE SPECIFIED:		PRODUCT SPEC	0.8MM PITCH FAX MODEM SOCKET				
MATERIAL		APPLICATION SPEC	124 POSITIONS				
FINISH		WEIGHT	5.2MM HEIGHT				
0 PLC ±		CUSTOMER DRAWING	SIZE	CAGE CODE	DRAWING NO	RESTRICTED TO	
1 PLC ±			A3	00779	C-6674161		
2 PLC ±			SCALE	SHEET	OF	REV	
3 PLC ±			1:1	4	5	0	
4 PLC ±							
ANGLES ±							



DETAIL AA (SCALE 4:1) (BACK SIDE)



LEAD FREE

- 4 TOLERANCES ON ALL DIMENSIONS ± 0.15 UNLESS OTHERWISE SPECIFIED.
- 5 CARD THICKNESS APPLIES ACROSS TABS AND INCLUDES PLATING AND/OR METALIZATION.
- 6 APPLICATION NOTE:
 GOLD CONTACT PAD : ELECTROLESS GOLD PLATING 0.05 μ m MIN.
 OVER ELECTROLESS Ni PLATING 2 μ m MIN.
- 7 BORDER OF COMPONENT AREA.

SYMBOL	VARIATIONS ALL DIMENSIONS IN mm					
	NORMAL HEIGHT 44.45			NORMAL HEIGHT 50.80		
	AA			BA		
	MIN	NOM	MAX	MIN	NOM	MAX
A	44.3	44.45	44.60	50.65	50.80	50.95
A1	6.00	BSC		6.00	BSC	
A2	20.00	BSC		20.00	BSC	
D	59.45	59.6	59.75	59.45	59.6	59.75
D1	1.30	BSC		1.30	BSC	
D2	55.60	BSC		55.60	BSC	
D3	2.05	BSC		2.05	BSC	
D4	1.65	BSC		1.65	BSC	
D5	24.00	BSC		24.00	BSC	
e1	48.00	BSC		48.00	BSC	
N		124			124	

THIS DRAWING IS A CONTROLLED DOCUMENT.

DIMENSIONS: MM	TOLERANCES UNLESS OTHERWISE SPECIFIED	DWN		Tyco Electronics AMP K.K. Kawasaki, Japan		
	0 PLC \pm - 1 PLC \pm - 2 PLC \pm - 3 PLC \pm - 4 PLC \pm - ANGLES \pm -	CHK		NAME	0.8MM PITCH FAX MODEM SOCKET 124POSITIONS 5.2MM HEIGHT	
MATERIAL	FINISH	APVD	PRODUCT SPEC	SIZE	CAGE CODE	DRAWING NO
		APPLICATION SPEC	WEIGHT	A3	00779	C-6674161
CUSTOMER DRAWING			RESTRICTED TO	SCALE	SHEET	REV
				1:1	5 OF 5	0