



Chipsmall Limited consists of a professional team with an average of over 10 year of expertise in the distribution of electronic components. Based in Hongkong, we have already established firm and mutual-benefit business relationships with customers from,Europe,America and south Asia,supplying obsolete and hard-to-find components to meet their specific needs.

With the principle of “Quality Parts,Customers Priority,Honest Operation,and Considerate Service”,our business mainly focus on the distribution of electronic components. Line cards we deal with include Microchip,ALPS,ROHM,Xilinx,Pulse,ON,Everlight and Freescale. Main products comprise IC,Modules,Potentiometer,IC Socket,Relay,Connector.Our parts cover such applications as commercial,industrial, and automotives areas.

We are looking forward to setting up business relationship with you and hope to provide you with the best service and solution. Let us make a better world for our industry!



Contact us

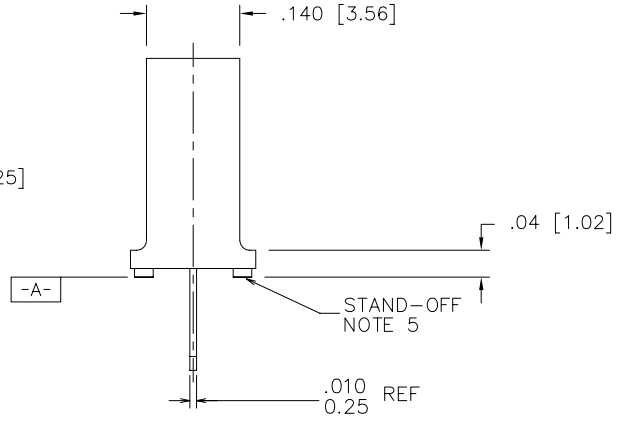
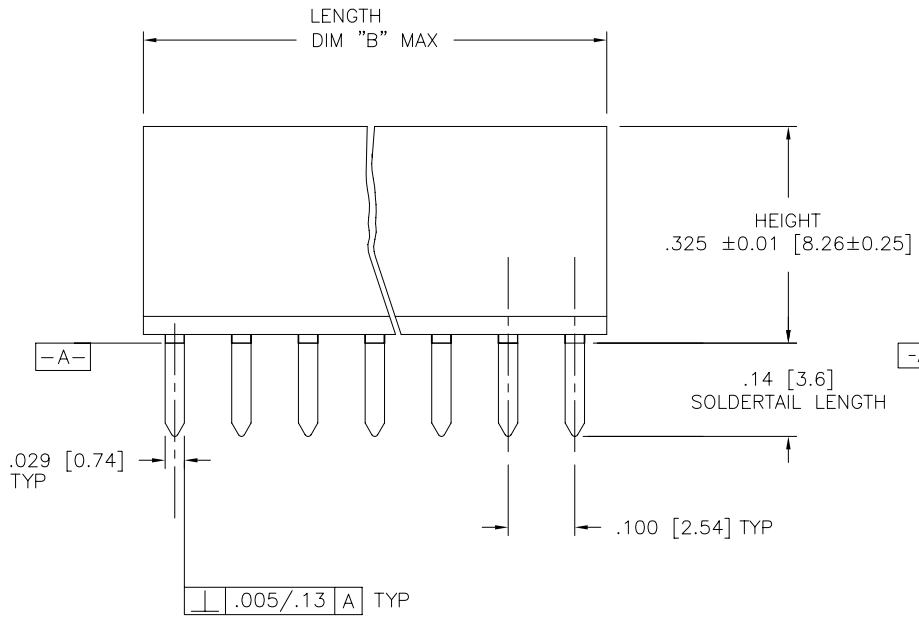
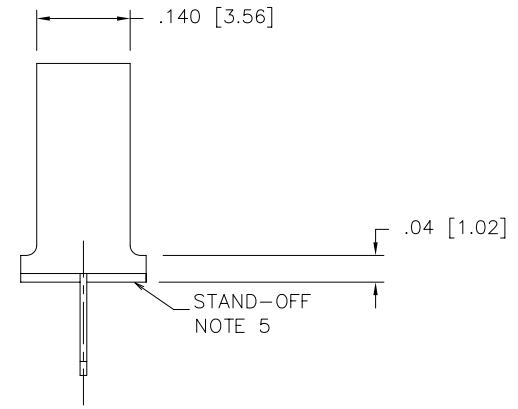
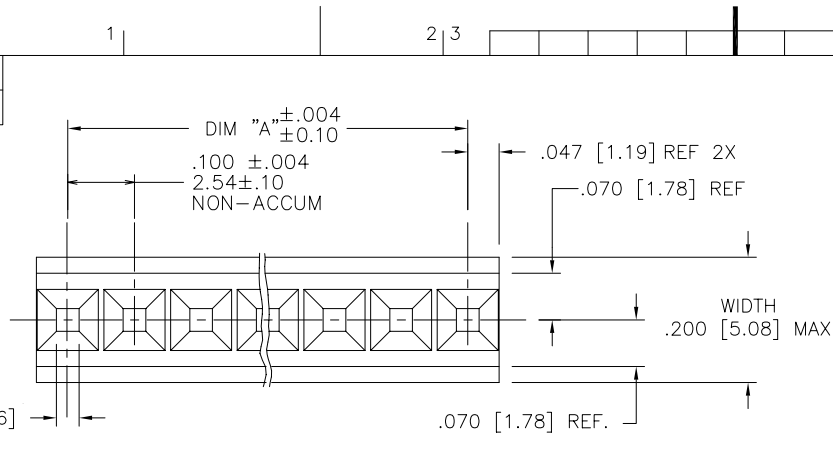
Tel: +86-755-8981 8866 Fax: +86-755-8427 6832

Email & Skype: info@chipsmall.com Web: www.chipsmall.com

Address: A1208, Overseas Decoration Building, #122 Zhenhua RD., Futian, Shenzhen, China



PRODUCT NUMBER
66950-XXX



Copyright FCI

mat'l. code NOTES 1 & 2		surface ISO 1302 ✓		tolerance ISO 406 ISO 1101		projection INCH/MM		product family CARD CONN	
ltr		ecn no		dr		date		title	
D	V11848	JGS	7/12/91	tolerances unless otherwise specified		.XX±.01/.X±.3		VERTICAL CARD CONN.	
E	V23245	MRC	10/13/92	angles	linear	.XXX±.0.005/.XX±.13		.100/2.54 CTR. SINGLE. ROW	
F	V70788	LSS	6/223/97	0'±2'		.XXXX±.0020/.XXX±.051		scale 1:4	
G	v94468	MDF	12/27/99	dr	J.SHREINER	7/12/91		dwg no	
H	M05-0216	ERE	10/11/05	enr	M.HAHN	7/12/91		sheet 1 of 3 size	
J	M06-0210	MHT	6/03/06	chr	M.HAHN	7/12/91		66950 A3	
sheet index		revision		appd		M.HAHN		7/12/91	
sheet		sheet		J		J		type Product Customer Drawing	
1		2		3					

form: A3

PRODUCT NUMBER
SEE TABLE

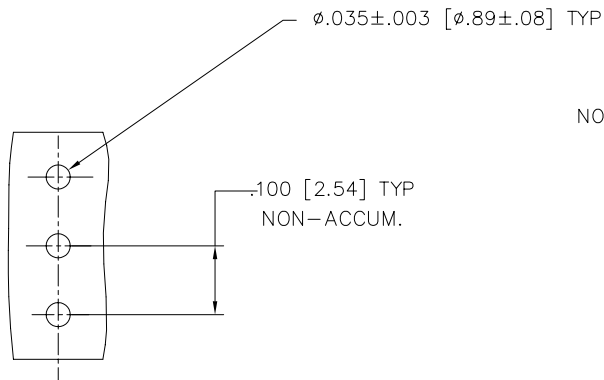


FIGURE "A"
SCALE 4:1

NOTES.

- ① HOUSING MATERIAL: FILLED POLYESTER,
FLAME RETARDANT PER UL 94V-0.
COLOR: BLACK.
- ② TERMINAL MATERIAL:
BODY: BRASS
SPRING: BeCu. HEAT TREATED
BODY PLATING: 15u" [.38u] Au OVER 50u" [1.27]u Ni IN CONTACT AREA
SPRING PLATING: GOLD FLASH
3. MARKING: FCI PART NUMBER AND DATE CODE LEGIBLE ON TUBE LABEL.
4. APPLICATION INFORMATION:
A. RECOMMENDED MOUNTING HOLE PATTERN IS SHOWN IN FIGURE A.
B. ALL MATING PINS TO BE .025 [.64] SQUARE ON TRUE CENTER OF GIVEN TERMINAL SPACINGS, WITHIN .015 [.38] DIAMETER.
C. SUGGESTED MATING PIN LENGTH, .210 ±.020 [5.33 ±.51].
- ⑤ STAND-OFF CONFIGURATION BUMP OR RIB, AT MANUFACTURERS' OPTION.
- ⑥ ADD "LF" SUFFIX AT THE END OF PART NUMBER FOR LEAD FREE OPTION.
- ⑦ THESE PRODUCTS MEET EUROPEAN UNION DIRECTIVES AND OTHER COUNTRY REGULATIONS AS DESCRIBED IN GS-22-008.
8. THIS PART WILL WITHSTAND EXPOSURE TO 260°C PEAK TEMPERATURE FOR 20 SECONDS IN WAVE SOLDER, INFRA-RED OR VAPOR PHASE SOLDER PROCESS.



Copyright FCI

mat'l. code		surface ISO 1302 <input checked="" type="checkbox"/>		tolerance ISO 406 ISO 1101		projection 		product family CARD CONN	
ltr	ecn	no	dr	date	tolerances unless otherwise specified		title		
J					angles	linear	INCH/MM		
					0°±2'	.XX±.01/.X±.3 .XXX±.0.005/.XX±.13 .XXXX±.0020/.XXX±.051	scale 1:4		
			dr	J.SHREINER	7/12/91			dwg no	
			enr	M.HAHN	7/12/91			sheet 2 of 3	
			chr	M.HAHN	7/12/91			size	
			appd	M.HAHN	7/12/91			A3	
sheet index	revision sheet							type Product Customer Drawing	

PRODUCT NO.	NO OF POSITIONS	DIM A	DIM B	LEAD FREE OPTION
66950-001	U N A S S I G N E D			
-002	1 X 2	.100/2.54	.200/5.08	NOTE 6,7
-003	1 X 3	.200/5.08	.300/7.62	
-004	1 X 4	.300/7.62	.400/10.16	
-005	1 X 5	.400/10.16	.500/12.70	
-006	1 X 6	.500/12.70	.600/15.24	
-007	1 X 7	.600/15.24	.700/17.78	
-008	1 X 8	.700/17.78	.800/20.32	
-009	1 X 9	.800/20.32	.900/22.86	
-010	1 X 10	.900/22.86	1.000/25.40	
-011	1 X 11	1.000/25.40	1.100/27.94	
-012	1 X 12	1.100/27.94	1.200/30.48	
-013	1 X 13	1.200/30.48	1.300/33.02	
-014	1 X 14	1.300/33.02	1.400/35.56	
-015	1 X 15	1.400/35.56	1.500/38.10	
-016	1 X 16	1.500/38.10	1.600/40.64	
-017	1 X 17	1.600/40.64	1.700/43.18	
-018	1 X 18	1.700/43.18	1.800/45.72	
-019	1 X 19	1.800/45.72	1.900/48.26	
-020	1 X 20	1.900/48.26	2.000/50.80	
-021	1 X 21	2.000/50.80	2.100/53.34	
-022	1 X 22	2.100/53.34	2.200/55.88	
-023	1 X 23	2.200/55.88	2.300/58.42	
-024	1 X 24	2.300/58.42	2.400/60.96	
-025	1 X 25	2.400/60.96	2.500/63.50	
-026	1 X 26	2.500/63.50	2.600/66.04	
-027	1 X 27	2.600/66.04	2.700/68.58	
-028	1 X 28	2.700/68.58	2.800/71.12	
-029	1 X 29	2.800/71.12	2.900/73.66	
-030	1 X 30	2.900/73.66	3.000/76.20	
-031	1 X 31	3.000/76.20	3.100/78.74	
-032	1 X 32	3.100/78.74	3.200/81.28	
-033	1 X 33	3.200/81.28	3.300/83.82	
-034	1 X 34	3.300/83.82	3.400/86.36	
-035	1 X 35	3.400/86.36	3.500/88.90	
66950-036	1 X 36	3.500/88.90	3.600/91.44	

OBS



Copyright FCJ

mat'l. code		surface ISO 1302 <input checked="" type="checkbox"/>		tolerance ISO 406 ISO 1101		projection 		product family CARD CONN	
ltr	ecn no	dr	date	tolerances unless otherwise specified				title	
J				angles	linear	.XX±.01/.X±.3		VERTICAL CARD CONN.	
				0'±2'		.XXX±.0.005/.XX±.13		.100/2.54 CTR. SINGLE. ROW	
						.XXXX±.0020/.XXX±.051		scale 1:4	
		dr	J.SHREINER	7/12/91				dwg no sheet 3 of 3 size	
		enr	M.HAHN	7/12/91				66950 A3	
		chr	M.HAHN	7/12/91				type Product Customer Drawing	
		appd	M.HAHN	7/12/91					
sheet index	revision sheet								

form: A3