



Chipsmall Limited consists of a professional team with an average of over 10 year of expertise in the distribution of electronic components. Based in Hongkong, we have already established firm and mutual-benefit business relationships with customers from,Europe,America and south Asia,supplying obsolete and hard-to-find components to meet their specific needs.

With the principle of “Quality Parts,Customers Priority,Honest Operation,and Considerate Service”,our business mainly focus on the distribution of electronic components. Line cards we deal with include Microchip,ALPS,ROHM,Xilinx,Pulse,ON,Everlight and Freescale. Main products comprise IC,Modules,Potentiometer,IC Socket,Relay,Connector.Our parts cover such applications as commercial,industrial, and automotives areas.

We are looking forward to setting up business relationship with you and hope to provide you with the best service and solution. Let us make a better world for our industry!



Contact us

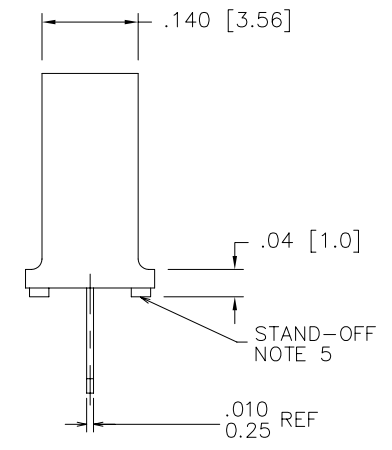
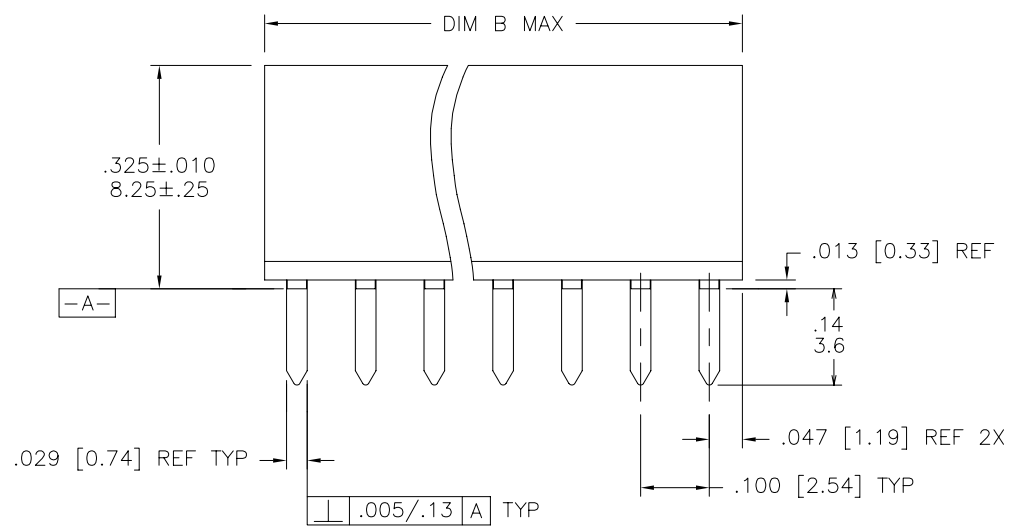
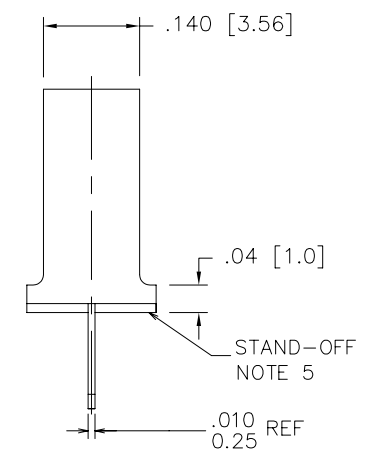
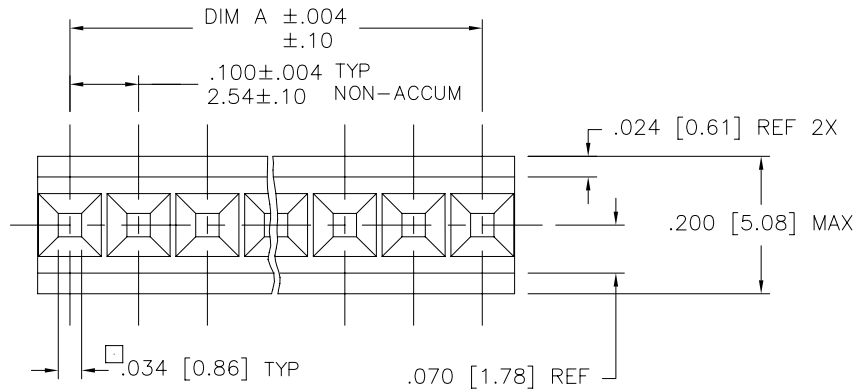
Tel: +86-755-8981 8866 Fax: +86-755-8427 6832

Email & Skype: info@chipsmall.com Web: www.chipsmall.com

Address: A1208, Overseas Decoration Building, #122 Zhenhua RD., Futian, Shenzhen, China



PRODUCT NUMBER
SEE TABLE



FCI
FCIconnect.com

Copyright FCI

mat'l. code		surface		tolerance		projection		product family	
NOTES 1 & 2		ISO 1302 ✓		ISO 406 ISO 1101				CARD CONN	
ltr		ecn no dr		date		tolerances unless otherwise specified		title	
F	V11848	JGS	7/2/91			.XX±.01/.X±.3		VERTICAL CARD CONNECTOR	
G	V23245	MRC	10/13/92	angles	linear	.XXX±.0.005/.XX±.13		.100/2.54 CTR. SINGLE. ROW	
H	V70789	MDF	8/14/97	0°±2'		.XXXX±.0020/.XXX±.051		scale 4:1	
J	V94468	MDF	1/7/00	dr	J.SHREINER	12/11/90		dwg no sheet 1 of 4 size	
K	M05-0216	ERE	10/11/05	engr	M.HAHN	12/11/90		66951 A3	
L	M06-0210	MHT	6/03/06	chr	M.HAHN	12/11/90		type Product Customer Drawing	
M	M07-0143	ERE	03/03/07	appd	M.HAHN	12/11/90			
sheet	revision	M	M	M	M				
index	sheet	1	2	3	4				

form: A3

PRODUCT NUMBER
SEE TABLE

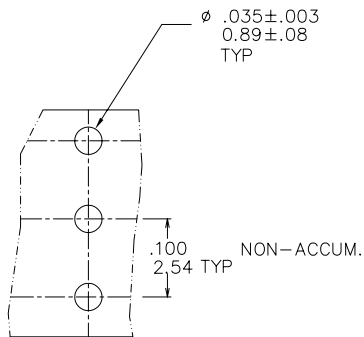


FIG.1
SCALE 5/1

NOTES:

- ① HOUSING MATERIAL: FILLED POLYESTER, FLAME RETARDANT PER UL 94V-0.
COLOR: BLACK.
- ② TERMINAL MATERIAL:
BODY: BRASS
SPRING: BeCu. HEAT TREATED
BODY PLATING: 30u"/.76u Au OVER 50u" /1.27u Ni IN CONTACT AREA.
100u"/2.54u Sn (NOTE 9) OVER 50u" /1.27u Ni ON SOLDERTAIL.
SPRING PLATING: GOLD FLASH
3. MARKED FCI PART NUMBER & DATE CODE LEGIBLE ON TUBE LABEL.
4. APPLICATION INFORMATION.
A. RECOMMENDED MOUNTING HOLE PATTERN IS SHOWN IN FIG. #1.
B. ALL MATING PINS TO BE .025/.64 SQUARE ON TRUE CENTER OF GIVEN TERMINAL SPACINGS, WITHIN .015/.38 DIAMETER.
C. SUGGESTED MATING PIN LENGTH, .210 ± .020/5.33 ± .51.
- ⑤ STAND-OFF CONFIGURATION:
BUMP OR RIB AT MANUFACTURERS' OPTION.
- ⑥ ADD "LF" SUFFIX AT THE END OF PART NUMBER FOR LEAD FREE OPTION.
- ⑦ THESE PRODUCTS MEET EUROPEAN UNION DIRECTIVES AND OTHER COUNTRY REGULATIONS AS DESCRIBED IN GS-22-008.
8. THIS PART WILL WITHSTAND EXPOSURE TO 260°C PEAK TEMPERATURE FOR 20 SECONDS IN WAVE SOLDER, INFRA-RED OR VAPOR PHASE SOLDER PROCESS.
- ⑨ "THIS PRODUCT HAS 100% TIN PLATING IN THE INTERFACE AND HAS NOT BEEN TESTED FOR WHISKER GROWTH IN ALL INTERCONNECT ENVIRONMENTS."

FCI
FCIconnect.com

Copyright FCI

mat'l. code		surface ISO 1302 ✓		tolerance ISO 406 ISO 1101		projection ⊕		product family CARD CONN	
ltr	ecn	no	dr	date	tolerances unless otherwise specified		title		
M					angles	linear	INCH/MM	VERTICAL CARD CONNECTOR	
					0°±2'	.XX±.01/.X±.3 .XXX±.0.005/.XX±.13 XXXX±.0020/XXX±.051	scale 4:1	.100/2.54 CTR. SINGLE. ROW	
					dr	J.SHREINER	12/11/90	dwg no	
					enr	M.HAHN	12/11/90	sheet 2 of 4 size	
					chr	M.HAHN	12/11/90	66951 A3	
					appd	M.HAHN	12/11/90	type Product Customer Drawing	
sheet index	revision sheet								

PRODUCT NO	NO. OF POS	DIM A	DIM B	DESC P/N ON -8XX SERIES ONLY	LEAD FREE OPTION
66951-Y01	U N A S S I G N E D				
-Y02	1X2	.100/2.54	.200/5.08	WWWWW-02	NOTE 6,7
-Y03	1X3	.200/5.08	.300/7.62	WWWWW-03	
-Y04	1X4	.300/7.62	.400/10.16	WWWWW-04	
-Y05	1X5	.400/10.16	.500/12.70	WWWWW-05	
-Y06	1X6	.500/12.70	.600/15.24	WWWWW-06	
-Y07	1X7	.600/15.24	.700/17.78	WWWWW-07	
-Y08	1X8	.700/17.78	.800/20.32	WWWWW-08	
-Y09	1X9	.800/20.32	.900/22.86	WWWWW-09	
-Y10	1X10	.900/22.86	1.000/25.40	WWWWW-10	
-Y11	1X11	1.000/25.40	1.100/27.94	WWWWW-11	
-Y12	1X12	1.100/27.94	1.200/30.48	WWWWW-12	
-Y13	1X13	1.200/30.48	1.300/33.02	WWWWW-13	
-Y14	1X14	1.300/33.02	1.400/35.56	WWWWW-14	
-Y15	1X15	1.400/35.56	1.500/38.10	WWWWW-15	
-Y16	1X16	1.500/38.10	1.600/40.64	WWWWW-16	
-Y17	1X17	1.600/40.64	1.700/43.18	WWWWW-17	
-Y18	1X18	1.700/43.18	1.800/45.72	WWWWW-18	
-Y19	1X19	1.800/45.72	1.900/48.26	WWWWW-19	
-Y20	1X20	1.900/48.26	2.000/50.80	WWWWW-20	
-Y21	1X21	2.000/50.80	2.100/53.34	WWWWW-21	
-Y22	1X22	2.100/53.34	2.200/55.88	WWWWW-22	
-Y23	1X23	2.200/55.88	2.300/58.42	WWWWW-23	
-Y24	1X24	2.300/58.42	2.400/60.96	WWWWW-24	
66951-Y25	1X25	2.400/60.96	2.500/63.50	WWWWW-25	NOTE 6,7

DBS



FCIconnect.com

Copyright FCI

mat'l. code		surface ISO 1302 <input checked="" type="checkbox"/>		tolerance ISO 406 ISO 1101		projection 		product family CARD CONN	
ltr		ecn no dr		date		tolerances unless otherwise specified		title	
M						.XX±.01/.X±.3		VERTICAL CARD CONNECTOR	
						linear .XXX±.0.005/.XX±.13		.100/2.54 CTR. SINGLE. ROW	
						0'±2'		scale 4:1	
						dr J.SHREINER 12/11/90		dwg no sheet 3 of 4 size	
						enr M.HAHN 12/11/90		66951 A3	
						chr M.HAHN 12/11/90		type Product Customer Drawing	
						appd M.HAHN 12/11/90			
sheet index		revision sheet							

PRODUCT NO	NO. OF POS	DIM A	DIM B	DESC P/N ON -8XX SERIES ONLY	LEAD FREE OPTION
66951-Y26	1X26	2.500/63.50	2.600/66.04	WWWWW-26	NOTE 6,7
-Y27	1X27	2.600/66.04	2.700/68.58	WWWWW-27	
-Y28	1X28	2.700/68.58	2.800/71.12	WWWWW-28	
-Y29	1X29	2.800/71.12	2.900/73.66	WWWWW-29	
-Y30	1X30	2.900/73.66	3.000/76.20	WWWWW-30	
-Y31	1X31	3.000/76.20	3.100/78.74	WWWWW-31	
-Y32	1X32	3.100/78.74	3.200/81.28	WWWWW-32	
-Y33	1X33	3.200/81.28	3.300/83.82	WWWWW-33	
-Y34	1X34	3.300/83.82	3.400/86.36	WWWWW-34	
-Y35	1X35	3.400/86.36	3.500/88.90	WWWWW-35	
66951-Y36	1X36	3.500/88.90	3.600/91.44	WWWWW-36	



FCJconnect.com

Copyright FCJ

mat'l. code		surface ISO 1302 <input checked="" type="checkbox"/>		tolerance ISO 406 ISO 1101		projection 		product family CARD CONN	
ltr	ecn	no	dr	date		tolerances unless otherwise specified		title	
M						angles	linear	INCH/MM	
						0°±2'	.XX±.01/.X±.3 .XXX±.0.005/.XX±.13 .XXXX±.0020/.XXX±.051	scale 4:1	
			dr	J.SHREINER	12/11/90			dwg no	
			enr	M.HAHN	12/11/90			sheet 4 of 4 size	
			chr	M.HAHN	12/11/90			66951	
			appd	M.HAHN	12/11/90			A3	
sheet index		revision sheet						type Product Customer Drawing	

form: A3