



Chipsmall Limited consists of a professional team with an average of over 10 year of expertise in the distribution of electronic components. Based in Hongkong, we have already established firm and mutual-benefit business relationships with customers from,Europe,America and south Asia,supplying obsolete and hard-to-find components to meet their specific needs.

With the principle of “Quality Parts,Customers Priority,Honest Operation,and Considerate Service”,our business mainly focus on the distribution of electronic components. Line cards we deal with include Microchip,ALPS,ROHM,Xilinx,Pulse,ON,Everlight and Freescale. Main products comprise IC,Modules,Potentiometer,IC Socket,Relay,Connector.Our parts cover such applications as commercial,industrial, and automotives areas.

We are looking forward to setting up business relationship with you and hope to provide you with the best service and solution. Let us make a better world for our industry!



Contact us

Tel: +86-755-8981 8866 Fax: +86-755-8427 6832

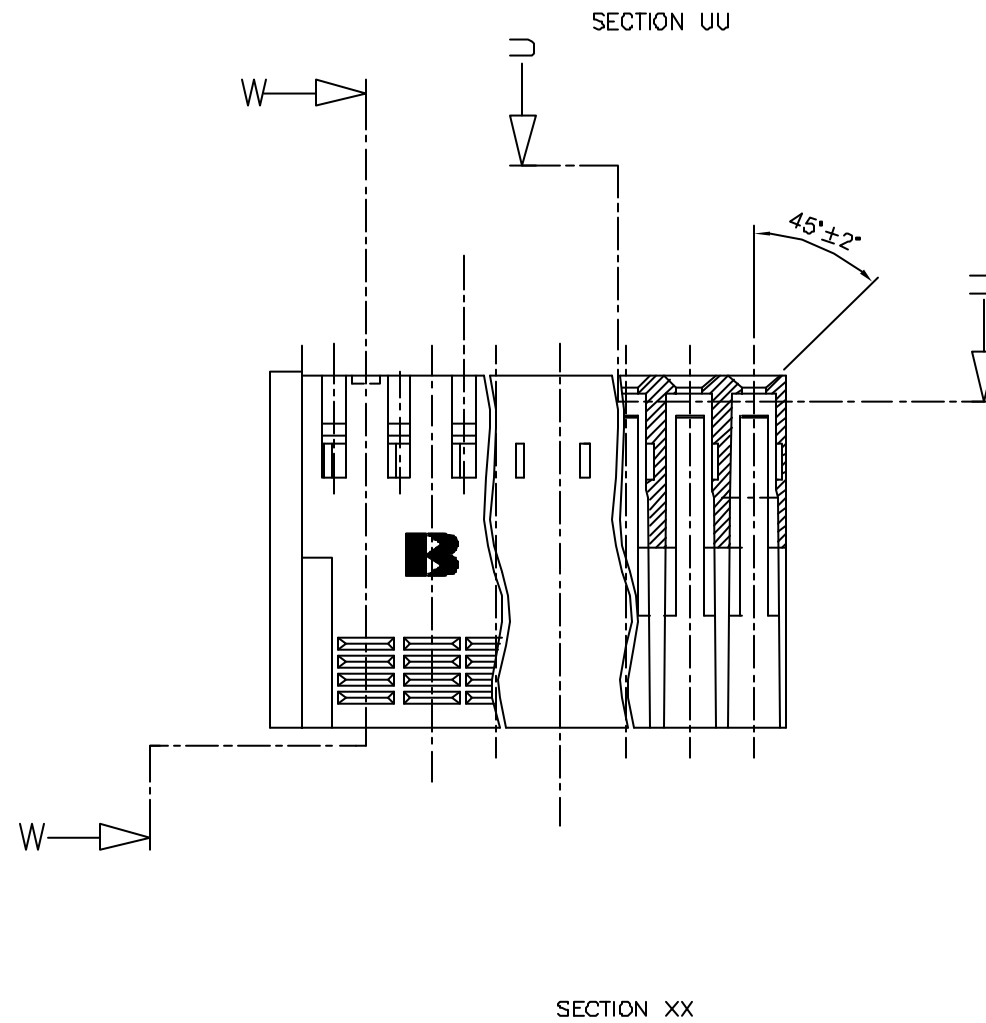
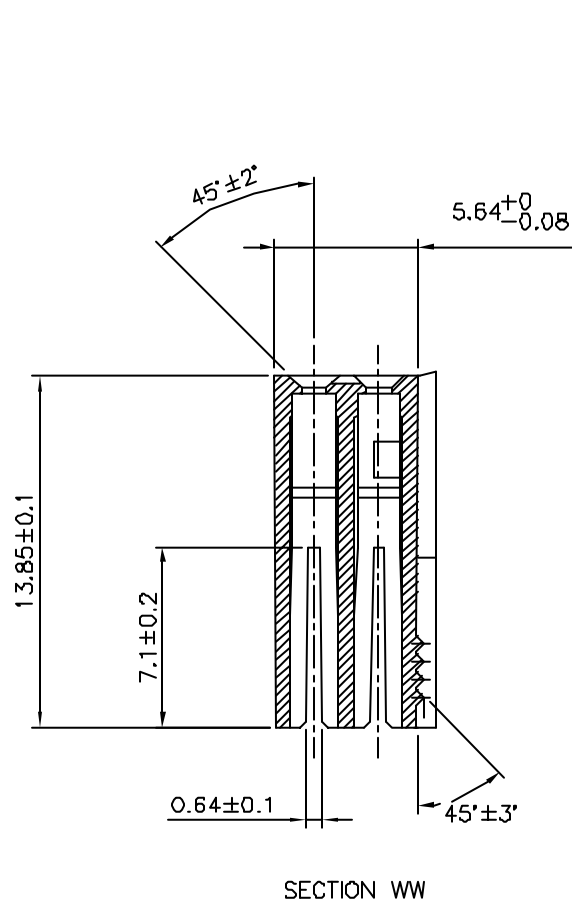
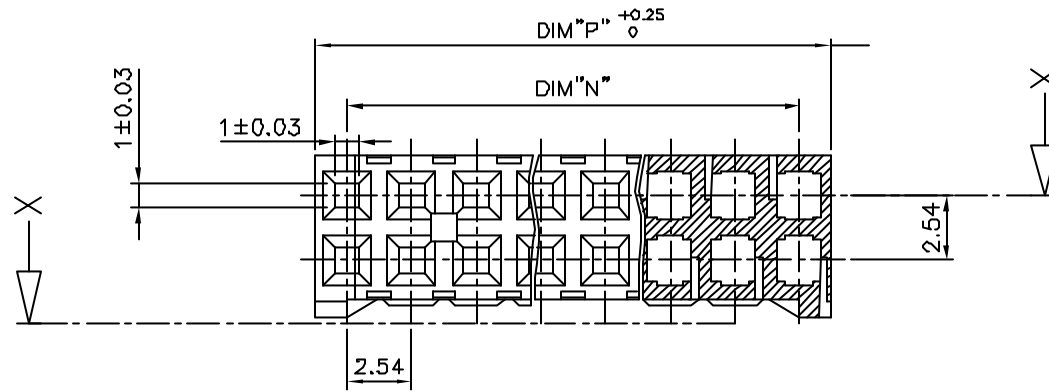
Email & Skype: info@chipsmall.com Web: www.chipsmall.com

Address: A1208, Overseas Decoration Building, #122 Zhenhua RD., Futian, Shenzhen, China



PRODUCT NUMBER
66987-0XXLF

WHEN NEEDED, SUFFIX LETTER "LF"
INDICATES THE PRODUCT IS RoHS
COMPLIANT, SEE NOTE 5



NOTES:

- 1 - MOLDING MATERIAL: PBT 30% GLASS FILLED, COLOUR BLUE, FLAME RETARDANT, ACCORDING TO UL 94, CATEGORY V0.
- 2 - OVER DASH NUMBER -006 ONLY THE FIRST AND LAST THREE POSITIONS MUST HAVE GROOVES ON TWO SIDES
- 3 - THIS HOUSING IS INTENDED FOR USE WITH BERG TERMINAL # 76785-YXX AND BERG HEADERS # 76385-YXX OR 76383-YXX
- 4 - FOR BERG DUFLEX CLINCHER APPLICATION DATA SEE SPECIFICATION TA-333 SHEET 213-10F1
- 5 - RoHS COMPATIBLE PRODUCT SPECIFICATIONS
 - a - LABELING:
 - MEETS PACKAGING SPECS AS PER GS-14-920
 - b - LEGAL STATEMENT: SEE GS-22-008

THE PRODUCT IS NOT INTENDED TO BE EXPOSED TO A MANUFACTURING SOLDER PROCESS.

CUSTOMER COPY FOR REFERENCE ONLY									
mat'l. code	SEE NOTE 1	surface	ISO 1302	tolerance	ISO 406	ISO 101	projection	product family	VCC DR
lrr	ecr	no	dr	date	tolerances	unless	otherwise	specified	title
A	F80388	DLE	98.07.10	angles	linear		mm		DUFLEX
B	F00499	PNZ	00.09.13				scale 1:5		HOUSING DOUBLE ROW
C	FD4-D347	DLE	04.12.10						dwg no
D	FDS-D189	DLE	05.04.07	dr	D LEGRAND	98.07.10			sheet 1 of 2
E	FDS-D236	DLE	05.08.24	engr	JM PHAMVAN	98.07.10			size
F	FDS-D286	DLE	05.11.07	chr	P NIZZI	98.07.10			A2
G	FD6-D226	DLE	06.07.07	appd	JMP	98.07.10			type
sheet	revision	G	F						CUSTOMER Drawing
index	sheet	1	2						

PRODUCT NUMBER	NUMBER OF POS.	DIM"N"	DIM"P"
66987-002(LF)	2 x 02	2.54	5.00
66987-003(LF)	2 x 03	5.08	7.54
66987-004(LF)	2 x 04	7.62	10.08
66987-005(LF)	2 x 05	10.16	12.62
66987-006(LF)	2 x 06	12.70	15.16
66987-007(LF)	2 x 07	15.24	17.70
66987-008(LF)	2 x 08	17.78	20.24
66987-009(LF)	2 x 09	20.32	22.78
66987-010(LF)	2 x 10	22.86	25.32
66987-011(LF)	2 x 11	25.40	27.86
66987-012(LF)	2 x 12	27.94	30.40
66987-013(LF)	2 x 13	30.48	32.94
66987-014(LF)	2 x 14	33.02	35.48
66987-015(LF)	2 x 15	35.56	38.02
66987-016(LF)	2 x 16	38.10	40.56
66987-017(LF)	2 x 17	40.64	43.10
66987-018(LF)	2 x 18	43.18	45.64
66987-019(LF)	2 x 19	45.72	48.18
66987-020(LF)	2 x 20	48.26	50.72
66987-021(LF)	2 x 21	50.80	53.26
66987-022(LF)	2 x 22	53.34	55.80
66987-023(LF)	2 x 23	55.88	58.34
66987-024(LF)	2 x 24	58.42	60.88
66987-025(LF)	2 x 25	60.96	63.42
66987-026(LF)	2 x 26	63.50	65.96
66987-027(LF)	2 x 27	66.04	68.50
66987-028(LF)	2 x 28	68.58	71.04
66987-029(LF)	2 x 29	71.12	73.58
66987-030(LF)	2 x 30	73.66	76.12
66987-031(LF)	2 x 31	76.20	78.66
66987-032(LF)	2 x 32	78.74	81.20
66987-033(LF)	2 x 33	81.28	83.74
66987-034(LF)	2 x 34	83.82	86.28
66987-035(LF)	2 x 35	86.36	88.02
66987-036(LF)	2 x 36	88.90	91.36

FCI CONFIDENTIAL



This document is the property of and contains confidential and proprietary information of FCI. It is to be used only for the purpose intended without the written consent of FCI. Copyright FCI

mat'l. code	SEE NOTES SHEET 1	surface	ISO 1302	tolerance	ISO 406 ISO 1101	projection	product family	VCC DR
ltr	ecr no	dr	date	tolerances unless otherwise specified			title	DUFLEX HOUSING DOUBLE ROW
E	F05-0236	DLE	05.08.24	angles	.D±x	mm	dwg no	66987
F	F06-0226	DLE	06.07.07	linear	.DD±.0x	scale N/A	sheet 2 of 2	A2
				±x'	.000±.00x		type	CUSTOMER Drawing
		dr	D LEGRAND	98.07.13				
		engr	P NIZZI	98.07.13				
		chr	D LEGRAND	98.07.13				
		appd	P NZ	98.07.13				
sheet index	revision sheet							