



Chipsmall Limited consists of a professional team with an average of over 10 year of expertise in the distribution of electronic components. Based in Hongkong, we have already established firm and mutual-benefit business relationships with customers from,Europe,America and south Asia,supplying obsolete and hard-to-find components to meet their specific needs.

With the principle of “Quality Parts,Customers Priority,Honest Operation,and Considerate Service”,our business mainly focus on the distribution of electronic components. Line cards we deal with include Microchip,ALPS,ROHM,Xilinx,Pulse,ON,Everlight and Freescale. Main products comprise IC,Modules,Potentiometer,IC Socket,Relay,Connector.Our parts cover such applications as commercial,industrial, and automotives areas.

We are looking forward to setting up business relationship with you and hope to provide you with the best service and solution. Let us make a better world for our industry!



Contact us

Tel: +86-755-8981 8866 Fax: +86-755-8427 6832

Email & Skype: info@chipsmall.com Web: www.chipsmall.com

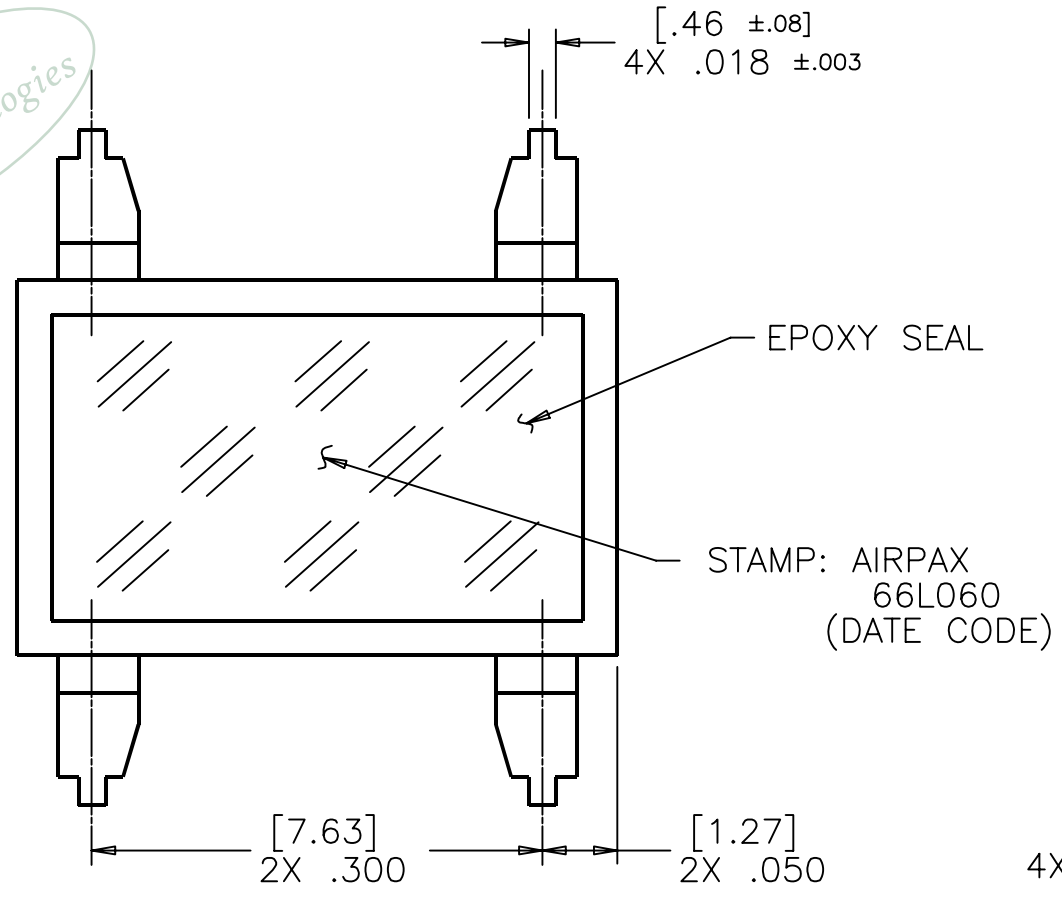
Address: A1208, Overseas Decoration Building, #122 Zhenhua RD., Futian, Shenzhen, China



REVISIONS
29309

B66R0340

Property of
Sensata Technologies

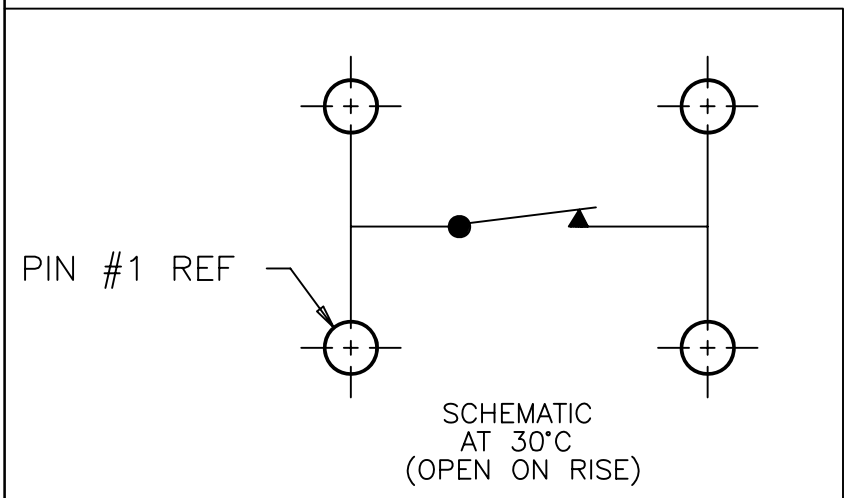
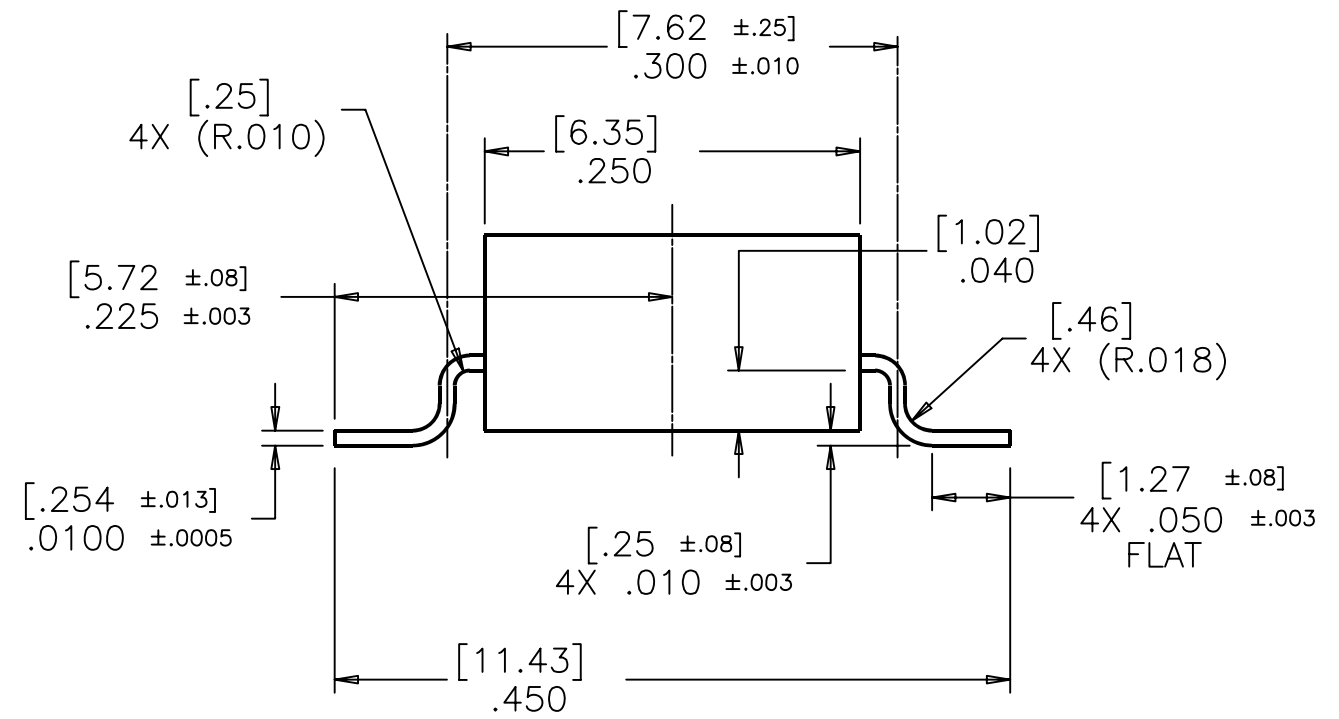
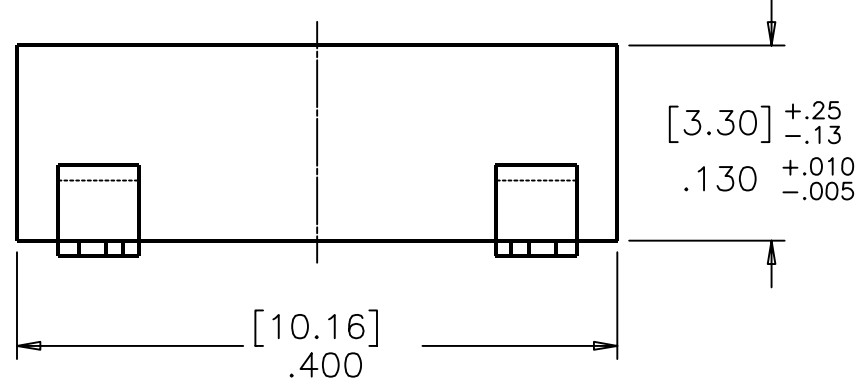


- SPECIFICATIONS:
1. DEVICE: SINGLE POLE, SINGLE THROW DUAL INLINE PACKAGE SNAP ACTION THERMOSTAT.
 2. CONTACT RATING:

CYCLES	VDC	AMPS (RESISTIVE)
30000	48	1 MAX
100000	5	20mA MIN
 3. TEMPERATURE EXPOSURE LIMIT: 160°C (320°F)
SHORT TERM EXPOSURE LIMIT: 260°C (500°F)
 4. UNIT SEALED TO WITHSTAND VAPOR PHASE, WAVE AND DIP SOLDER OPERATIONS.
 5. TERMINALS: CUPRO-NICKEL. BASE: PPS
 6. OPERATING TEMP REQUIREMENTS:
(CONTACTS TO OPEN ON RISING TEMP)

55	60	65	40	--	61	4	--	25
MIN	NOM	MAX	MIN	NOM	MAX	MIN	NOM	MAX
HIGH TEMP °C			LOW TEMP °C			DIFFERENTIAL °C		

7. CREEP: ALL CONTACT OPERATION (BOTH CLOSING & OPENING) MUST OCCUR SIMULTANEOUS WITH SNAP OF DISC.
8. CO-PLANNER REQUIREMENT: TERMINALS TO BE FLAT WITHIN [.10]/.004.



CUSTOMER REF: GENERAL DYNAMICS		OUTLINE 66L060-0340	
AIRPAX www.airpax.net Thermal Sensing Products Frederick, Maryland		THIRD ANGLE PROJECTION	MATERIAL NOTED
FSCM 82415		[MM] INCH	FINISH NONE
GENERAL WORKMANSHIP SPECIFICATION S-604 CONSTITUTES A PART OF THIS DRAWING.		INTERPRET DRAWING PER ANSI Y14.5M-1982	
DRAWN JMS	APPROVED MR	TOLERANCE UNLESS NOTED	
CHECKED JJS	DATE 1-22-01	MM ±.13 INCH ±.005 ANGLES ±1°	SCALE 8-1
6600		B66R0340	
			REVISION