



Chipsmall Limited consists of a professional team with an average of over 10 year of expertise in the distribution of electronic components. Based in Hongkong, we have already established firm and mutual-benefit business relationships with customers from,Europe,America and south Asia,supplying obsolete and hard-to-find components to meet their specific needs.

With the principle of “Quality Parts,Customers Priority,Honest Operation,and Considerate Service”,our business mainly focus on the distribution of electronic components. Line cards we deal with include Microchip,ALPS,ROHM,Xilinx,Pulse,ON,Everlight and Freescale. Main products comprise IC,Modules,Potentiometer,IC Socket,Relay,Connector.Our parts cover such applications as commercial,industrial, and automotives areas.

We are looking forward to setting up business relationship with you and hope to provide you with the best service and solution. Let us make a better world for our industry!



Contact us

Tel: +86-755-8981 8866 Fax: +86-755-8427 6832

Email & Skype: info@chipsmall.com Web: www.chipsmall.com

Address: A1208, Overseas Decoration Building, #122 Zhenhua RD., Futian, Shenzhen, China

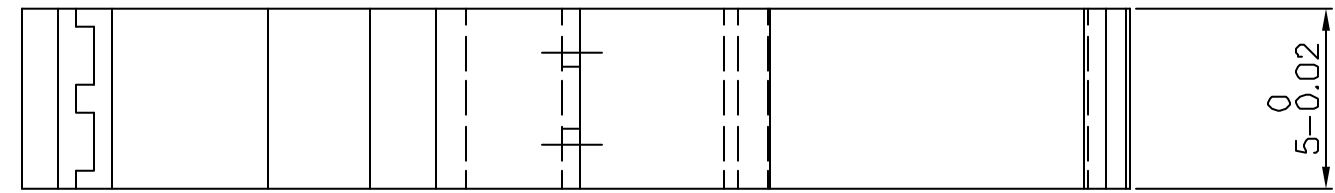
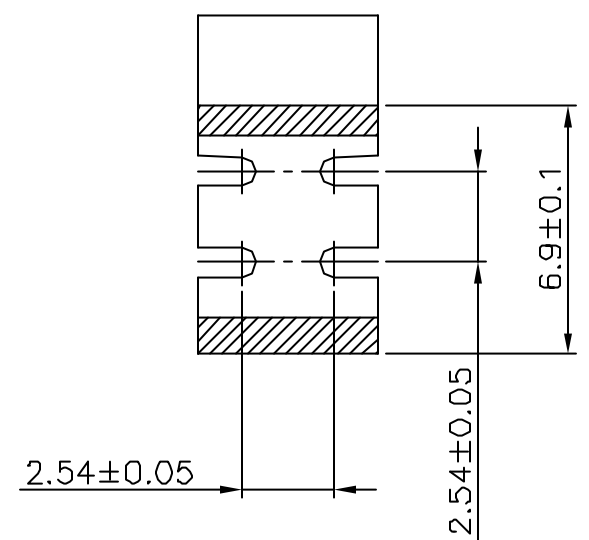
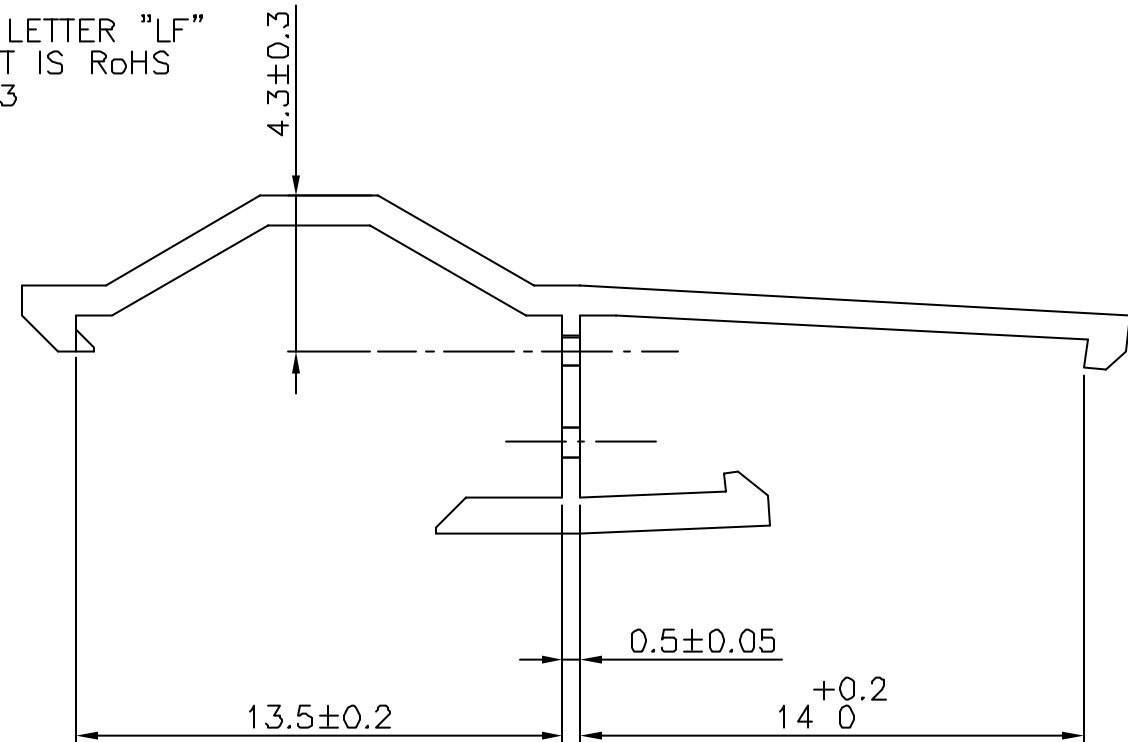


FCI CONFIDENTIAL

This document is the property of and embodies CONFIDENTIAL and PROPRIETARY information of FCI. No part of the information shown on this document may be used in any way or disclosed to others without the written consent of FCI. Copyright FCI.

PRODUCT NUMBER
67009-001(LF)

WHEN NEEDED, SUFFIX LETTER "LF" INDICATES THE PRODUCT IS RoHS COMPLIANT, SEE NOTE 3



NOTES:

- 1- MATERIAL LATCH: NORYL UL 94-V1
- 2- THIS LATCH IS INTENDED FOR USSE IN COMBINATION WITH DOUBLE ROW MINI LATCH HOUSING P/N 65043
- 3- RoHS COMPATIBLE PRODUCT SPECIFICATIONS

- a - LABELING:
 - MEETS PACKAGING SPECS AS PER GS-14-920
- b - LEGAL STATEMENT: SEE GS-22-008

THE PRODUCT IS NOT INTENDED TO BE EXPOSED TO A MANUFACTURING SOLDER PROCESS.

mat'l. code		surface		tolerance		projection		product family	
SEE NOTE		ISO 1302		ISO 406		1:1		BERGCON	
ltr	ecn no	dr	date	tolerances unless otherwise specified		mm		title	
E	F05-028	DLE	05.11.07	angles		mm		LATCH	
F	F06-021	DLE	06.07.11	linear		scale 5:1		FLYING CONNECTION D.R.	
G	F08-019	PNZ	08.06.19			FCI		dwg no	
				dr	D LEGRAND	05.08.17		sheet 1 of 1	
				enr	P NIZZI	05.08.17		size	
				chr	D LE	05.08.17		A3	
				appd	P NZ	05.08.17		type	
sheet index		revision sheet						CUSTOMER Drawing	