



Chipsmall Limited consists of a professional team with an average of over 10 year of expertise in the distribution of electronic components. Based in Hongkong, we have already established firm and mutual-benefit business relationships with customers from,Europe,America and south Asia,supplying obsolete and hard-to-find components to meet their specific needs.

With the principle of “Quality Parts,Customers Priority,Honest Operation,and Considerate Service”,our business mainly focus on the distribution of electronic components. Line cards we deal with include Microchip,ALPS,ROHM,Xilinx,Pulse,ON,Everlight and Freescale. Main products comprise IC,Modules,Potentiometer,IC Socket,Relay,Connector.Our parts cover such applications as commercial,industrial, and automotives areas.

We are looking forward to setting up business relationship with you and hope to provide you with the best service and solution. Let us make a better world for our industry!



## Contact us

Tel: +86-755-8981 8866 Fax: +86-755-8427 6832

Email & Skype: info@chipsmall.com Web: www.chipsmall.com

Address: A1208, Overseas Decoration Building, #122 Zhenhua RD., Futian, Shenzhen, China

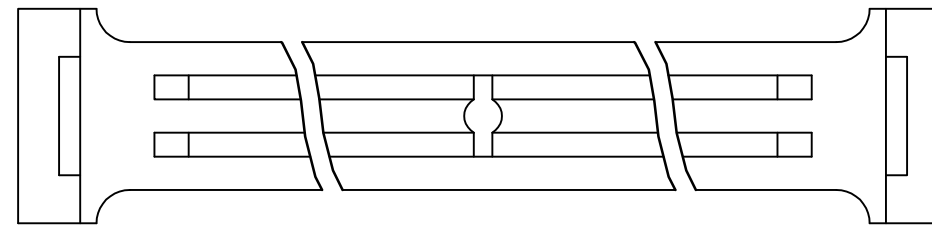
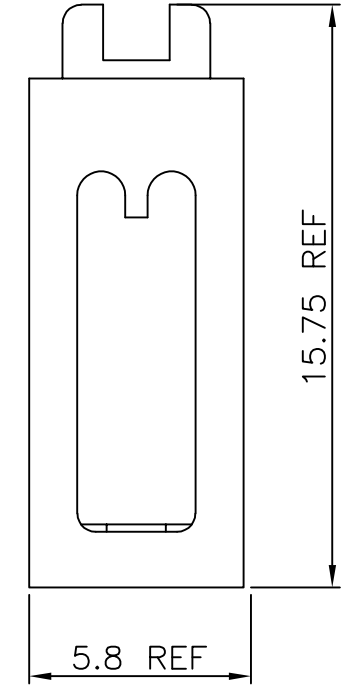
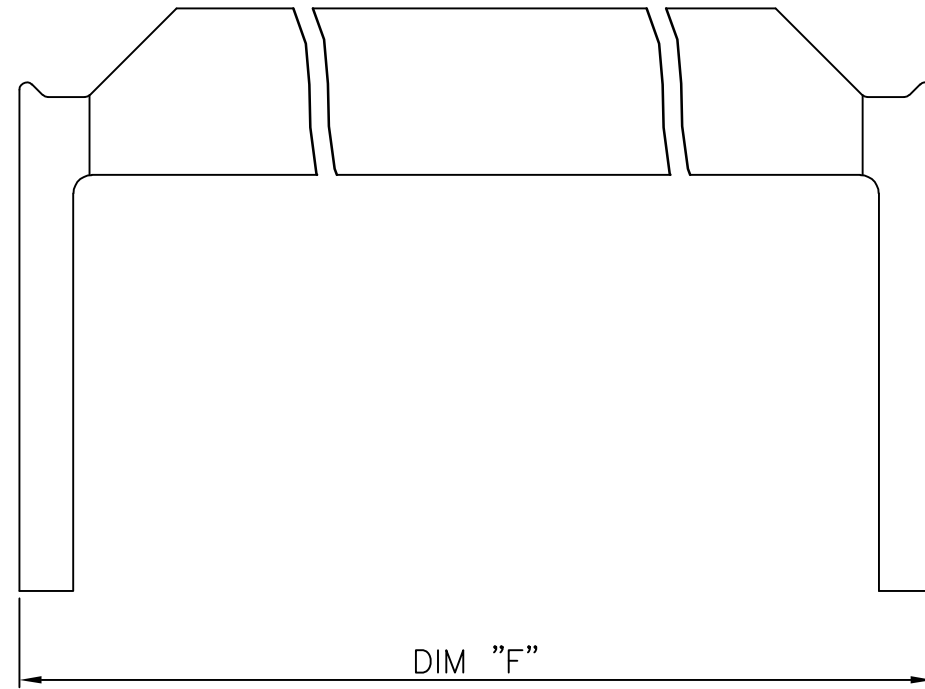


PRODUCT NUMBER  
67016-YXXLF

COLOR CODE  
0=GREY  
2=BLACK

INDICATES THE PRODUCT IS RoHS  
COMPATIBLE, SEE NOTE 2

STYLE	SIZE	DIM "F"
06	2x 3	12.18
08	2x 4	14.54
10	2x 5	17.08
12	2x 6	19.62
14	2x 7	22.16
16	2x 8	24.70
18	2x 9	27.24
20	2x10	29.78
24	2x12	34.86
26	2x13	37.40
30	2x15	42.48
34	2x17	47.56
40	2x20	55.18
44	2x22	60.26
50	2x25	67.88
60	2x30	80.58
64	2x32	85.66



NOTES:

1. MOLDING MATERIAL UNFILLED POLYESTER  
FLAME RETARDANT PER UL-94-V0
2. RoHs COMPATIBLE PRODUCT
  - a - LABELLING:
    - MEETS PACKAGING SPECS AS PER GS-14-920
  - b - LEGAL STATEMENT : SEE GS-22-008
  - c - THE PRODUCT IS NOT INTENDED TO BE EXPOSED  
TO MANUFACTURING SOLDER PROCESS
  - d - PRODUCT MEETS WITH EU 2002/EG/95

mat'l. code SEE NOTE 1				surface ISO 1302 <input checked="" type="checkbox"/> ISO 406 ISO 1101		tolerance ISO 406 ISO 1101		projection 		product family QKIE III			
ltr	ecn no	dr	date	tolerances unless otherwise specified		mm		title STRAIN RELIEF STANDARD		sheet 1 of 1			
F	F05-0255	LMU	05.09.28	angles	linear	.X	±0.3			size A3			
G	F06-0270	LMU	06.09.12			.XX	±0.15			dwg no 67016		type CUSTOMER Drawing	
H	F06-0274	LMU	06.09.25			.XXX	±0.05			scale 5:1			
J	F-26819	JCA	17.04.26	dr	L.MULIN	05.09.28							
				engr	J.COMPAGNON	05.09.28							
				chr									
				app	JM.C	05.09.28							
sheet index	revision sheet												