



Chipsmall Limited consists of a professional team with an average of over 10 year of expertise in the distribution of electronic components. Based in Hongkong, we have already established firm and mutual-benefit business relationships with customers from,Europe,America and south Asia,supplying obsolete and hard-to-find components to meet their specific needs.

With the principle of “Quality Parts,Customers Priority,Honest Operation,and Considerate Service”,our business mainly focus on the distribution of electronic components. Line cards we deal with include Microchip,ALPS,ROHM,Xilinx,Pulse,ON,Everlight and Freescale. Main products comprise IC,Modules,Potentiometer,IC Socket,Relay,Connector.Our parts cover such applications as commercial,industrial, and automotives areas.

We are looking forward to setting up business relationship with you and hope to provide you with the best service and solution. Let us make a better world for our industry!



Contact us

Tel: +86-755-8981 8866 Fax: +86-755-8427 6832

Email & Skype: info@chipsmall.com Web: www.chipsmall.com

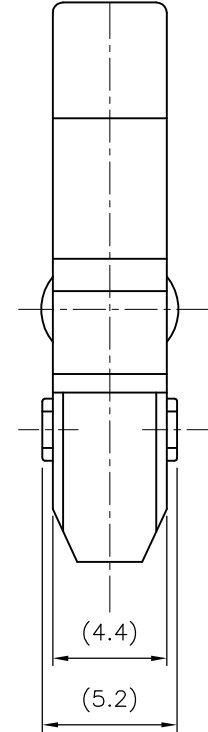
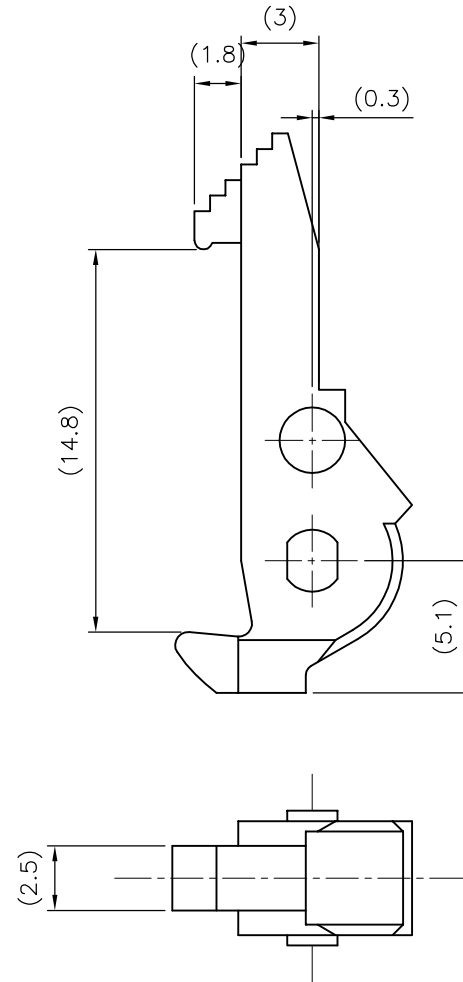
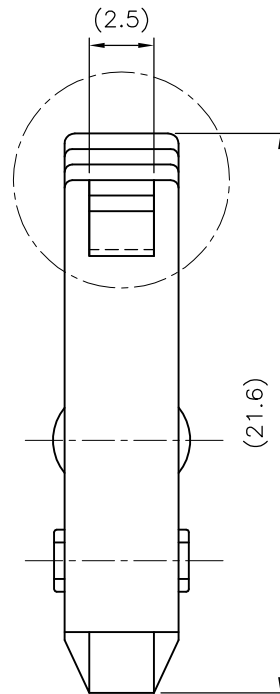
Address: A1208, Overseas Decoration Building, #122 Zhenhua RD., Futian, Shenzhen, China



PRODUCT NUMBER
67018-X01LF

RoHS COMPATIBLE, SEE NOTE 3

CODE	COLOUR
0	GREY
1	BLUE
2	BLACK



NOTES:

- MOLDING MATERIAL : 30% GLASSFIBER POLYESTER, FLAME RETARDANT PER UL-94-V0
COLOR : GREY, OR BLUE (SEE TABLE)
- 0.08 MAX. FLASH ALLOWED ON SPLIT LINE
- RoHS COMPATIBLE PRODUCT
 - LABELLING:
- MEETS PACKAGING SPECS AS PER GS-14-920
 - LEGAL STATEMENT : SEE GS-47-0004
 - THE PRODUCT IS NOT INTENDED TO BE EXPOSED TO MANUFACTURING SOLDER PROCESS
 - PRODUCT MEETS WITH EU 2002/EG/95

mat'l. code		surface		tolerance		projection		product family	
SEE NOTES		ISO 1302		ISO 406 ISO 1101				QUICKIE	
ltr	ecn no	dr	date	tolerances unless otherwise specified		mm		title	
B	F08395	VMO	98.07.27	angles	linear			EJECTOR LATCH STANDARD	
C	F05-0257	LMU	05.10.11			scale 5/1		dwg no	
D	F06-0274	LMU	06.10.18					sheet 1 of 1 size	
E	B-16667	JCO	14.01.07	dr	L.MULIN	05.10.11		67018 A3	
F	B-19563	BVE	14.11.27	engr	J.COMPAGNON	05.10.11		type CUSTOMER Drawing	
G	B-19927	BVE	15.01.08	chr					
				appd	JCO	14.01.07			
sheet index	revision sheet								



FCIconnect.com

Copyright FCI