



Chipsmall Limited consists of a professional team with an average of over 10 year of expertise in the distribution of electronic components. Based in Hongkong, we have already established firm and mutual-benefit business relationships with customers from,Europe,America and south Asia,supplying obsolete and hard-to-find components to meet their specific needs.

With the principle of "Quality Parts,Customers Priority,Honest Operation,and Considerate Service",our business mainly focus on the distribution of electronic components. Line cards we deal with include Microchip,ALPS,ROHM,Xilinx,Pulse,ON,Everlight and Freescale. Main products comprise IC,Modules,Potentiometer,IC Socket,Relay,Connector.Our parts cover such applications as commercial,industrial, and automotives areas.

We are looking forward to setting up business relationship with you and hope to provide you with the best service and solution. Let us make a better world for our industry!



Contact us

Tel: +86-755-8981 8866 Fax: +86-755-8427 6832

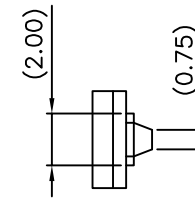
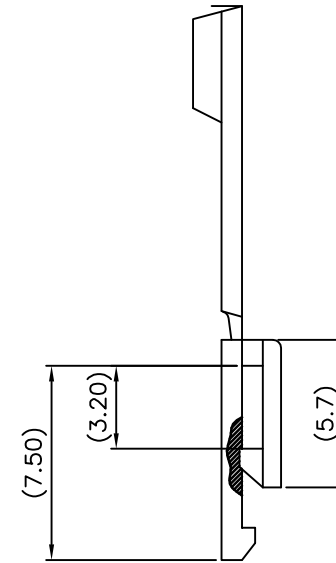
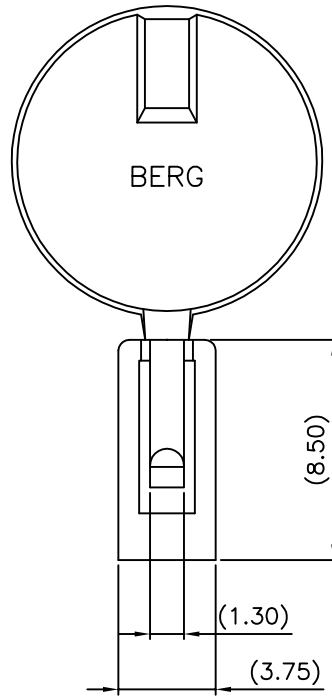
Email & Skype: info@chipsmall.com Web: www.chipsmall.com

Address: A1208, Overseas Decoration Building, #122 Zhenhua RD., Futian, Shenzhen, China



PRODUCT NUMBER
67020-001LF

WHEN REQUIRED, ADD SUFFIX LETTER "LF"
INDICATES THE PRODUCT IS RoHS
COMPATIBLE, SEE NOTE 2



NOTES :

1. MATERIAL : 30% GLASS FIBER POLYESTER
FLAME RETARDANT PER UL 94-V0
COLOUR : GREY (RAL 7038)
2. RoHs COMPATIBLE PRODUCT
 - a - LABELLING:
- MEETS PACKAGING SPECS AS PER GS-14-920
 - b - LEGAL STATEMENT : SEE GS-22-008
 - c - THE PRODUCT IS NOT INTENDED TO BE EXPOSED
TO MANUFACTURING SOLDER PROCESS
 - d - PRODUCT MEETS WITH EU 2002/EG/95



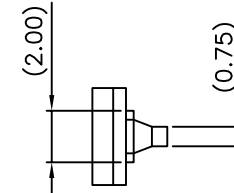
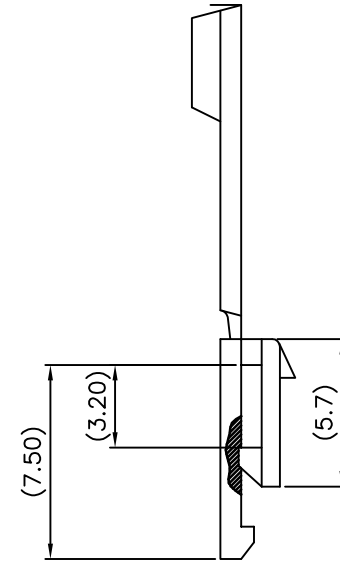
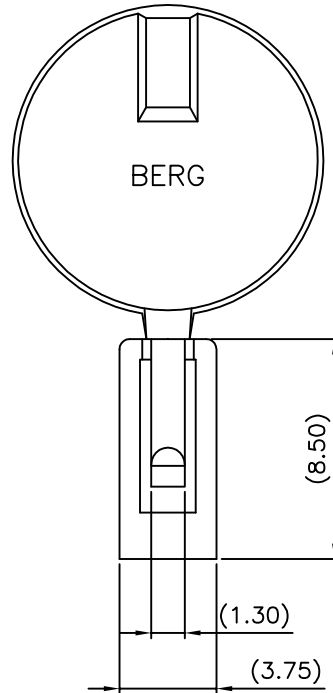
FC(connect.com)

Copyright FCJ

mat'l. code		surface		tolerance		projection		product family	
SEE NOTE 1		ISO 1302		ISO 406 ISO 1101					
ltr	ecn no	dr	date	tolerances unless otherwise specified		mm		title	
A	7310	LNA	86.12.18	angles	.X ±0.30			POLARIZING KEY	
B	F05-0257	LMU	05.10.11	linear	.XX ±0.15	scale 5:1		sheet 1 of 2	
C	F06-0270	LMU	06.09.12		.XXX ±0.05			67020 A3	
				dr	L.MULIN	05.10.07		type	
				engr	J.COMPAGNON	05.10.07		CUSTOMER Drawing	
				chr					
				appo	J.M.C	05.10.07			
sheet	revision	C	C						
index	sheet	1	2						

PRODUCT NUMBER
67020-002LF

WHEN REQUIRED, ADD SUFFIX LETTER "LF"
INDICATES THE PRODUCT IS RoHS
COMPATIBLE, SEE NOTE 2



NOTES :

1. MATERIAL : 30% GLASS FIBER POLYESTER
FLAME RETARDANT PER UL 94-V0
COLOUR : GREY (RAL 7038)
2. RoHs COMPATIBLE PRODUCT
 - a - LABELLING:
- MEETS PACKAGING SPECS AS PER GS-14-920
 - b - LEGAL STATEMENT : SEE GS-22-008
 - c - THE PRODUCT IS NOT INTENDED TO BE EXPOSED
TO MANUFACTURING SOLDER PROCESS
 - d - PRODUCT MEETS WITH EU 2002/EG/95

mat'l. code		surface		tolerance		projection		product family	
SEE NOTE 1		ISO 1302		ISO 406 ISO 1101					
ltr	ecn no	dr	date	tolerances unless otherwise specified				title	
A	7310	LNA	86.12.18	angles	.X ±0.30	mm		POLARIZING KEY	
B	F05-0257	LMU	05.10.11	linear	.XX ±0.15				
C	F06-0270	LMU	06.09.12		.XXX ±0.05	scale 5:1			
				dr	L.MULIN	05.10.07		dwg no	
				engr	J.COMPAGNON	05.10.07		sheet 2 of	
				chr				67020	
				appo	J.M.C	05.10.07		size	
sheet		revision						A3	
index		sheet						type	
								CUSTOMER Drawing	