



Chipsmall Limited consists of a professional team with an average of over 10 year of expertise in the distribution of electronic components. Based in Hongkong, we have already established firm and mutual-benefit business relationships with customers from,Europe,America and south Asia,supplying obsolete and hard-to-find components to meet their specific needs.

With the principle of “Quality Parts,Customers Priority,Honest Operation,and Considerate Service”,our business mainly focus on the distribution of electronic components. Line cards we deal with include Microchip,ALPS,ROHM,Xilinx,Pulse,ON,Everlight and Freescale. Main products comprise IC,Modules,Potentiometer,IC Socket,Relay,Connector.Our parts cover such applications as commercial,industrial, and automotives areas.

We are looking forward to setting up business relationship with you and hope to provide you with the best service and solution. Let us make a better world for our industry!



## Contact us

Tel: +86-755-8981 8866 Fax: +86-755-8427 6832

Email & Skype: info@chipsmall.com Web: www.chipsmall.com

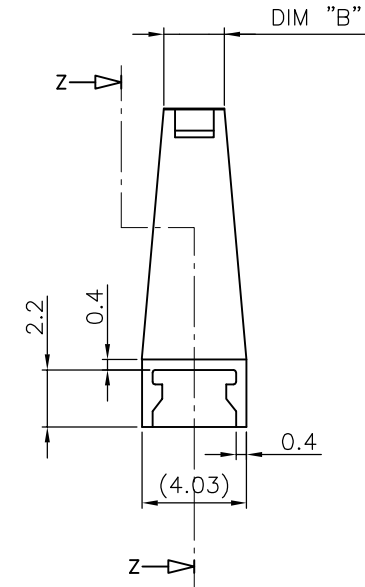
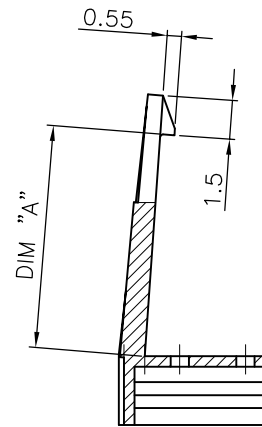
Address: A1208, Overseas Decoration Building, #122 Zhenhua RD., Futian, Shenzhen, China



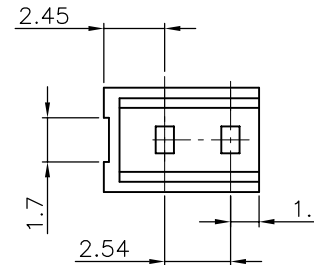
PRODUCT NUMBER  
67027-0XXLF

RoHS COMPATIBLE, SEE NOTE 3

STYLE	DIM "A"	DIM "B"
01	8.60	2.7
02	14.07	1.9



SECTION Z-Z



NOTES :

1. MATERIAL : NYLON 6/6, 25% GLASSFIBER  
FLAMMABILITY PER UL-94-V0.  
COLOUR : BLACK
2. FOR LATCH APPLICATION SEE TA 339
3. RoHS COMPATIBLE PRODUCT
  - a - LABELLING:  
- MEETS PACKAGING SPECS AS PER GS-14-920
  - b - LEGAL STATEMENT : SEE GS-47-0004
  - c - THE PRODUCT IS NOT INTENDED TO BE EXPOSED TO MANUFACTURING SOLDER PROCESS
  - d - PRODUCT MEETS WITH EU 2002/EG/95

mat'l. code SEE NOTES		surface ISO 1302	tolerance ISO 406 ISO 1101	projection mm	product family BERGSTIK
ltr	ecn no	dr	date	tolerances unless otherwise specified	title
C	F05-0256	LMU	05.10.11	angles linear .x ±0.30	SR BERGCON BERGSTIK LATCH
D	F06-0236	LMU	06.07.17	.xx ±0.15	
E	F07-0175	LMU	07.04.12	xxx ±0.05	scale 5/1
F	B-19262	LMU	14.10.31	dr L.MULIN 05.09.21	dwg no sheet 1 of 1 size
G	B-19924	BVE	15.01.08	engr J.COMPAGNON 05.09.21	67027 A3
				chr	type CUSTOMER Drawing
				appd JM.C 05.09.21	
sheet index	revision sheet				