



Chipsmall Limited consists of a professional team with an average of over 10 year of expertise in the distribution of electronic components. Based in Hongkong, we have already established firm and mutual-benefit business relationships with customers from,Europe,America and south Asia,supplying obsolete and hard-to-find components to meet their specific needs.

With the principle of “Quality Parts,Customers Priority,Honest Operation,and Considerate Service”,our business mainly focus on the distribution of electronic components. Line cards we deal with include Microchip,ALPS,ROHM,Xilinx,Pulse,ON,Everlight and Freescale. Main products comprise IC,Modules,Potentiometer,IC Socket,Relay,Connector.Our parts cover such applications as commercial,industrial, and automotives areas.

We are looking forward to setting up business relationship with you and hope to provide you with the best service and solution. Let us make a better world for our industry!



Contact us

Tel: +86-755-8981 8866 Fax: +86-755-8427 6832

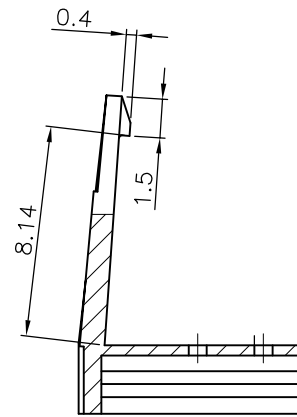
Email & Skype: info@chipsmall.com Web: www.chipsmall.com

Address: A1208, Overseas Decoration Building, #122 Zhenhua RD., Futian, Shenzhen, China

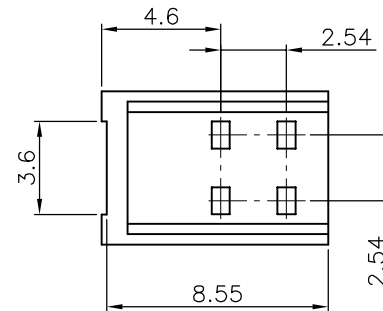
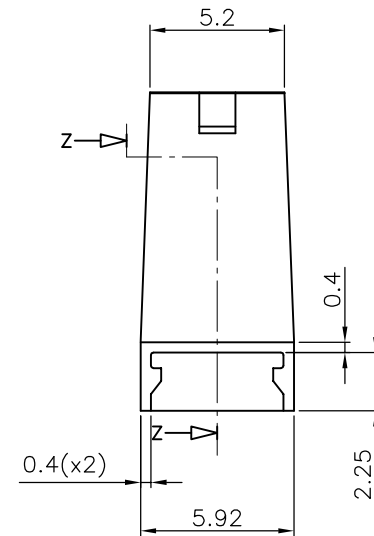


PRODUCT NUMBER
67032-001LF

RoHS COMPATIBLE, SEE NOTE 3



SECTION Z-Z



NOTES :

1. MATERIAL : NYLON 6/6, 25% GLASSFIBER
FLAMMABILITY PER UL-94-V0.
COLOUR : BLACK
2. FOR LATCH APPLICATION SEE TA 339
3. RoHS COMPATIBLE PRODUCT
 - a - LABELLING:
 - MEETS PACKAGING SPECS AS PER GS-14-920
 - b - LEGAL STATEMENT : SEE GS-47-0004
 - c - THE PRODUCT IS NOT INTENDED TO BE EXPOSED TO MANUFACTURING SOLDER PROCESS
 - d - PRODUCT MEETS WITH EU 2002/EG/95

mat'l. code		surface		tolerance		projection		product family	
SEE NOTES		ISO 1302		ISO 406 ISO 1101				BERGSTIK	
ltr	ecn no	dr	date	tolerances unless otherwise specified				title	
B	F05-0256	LMU	05.10.11	angles	linear	.x	±0.30	DR BERGSTIK LATCH	
C	F06-0236	LMU	06.07.17			.xx	±0.15		
D	F07-0175	LMU	07.04.12			.xxx	±0.05	scale 5/1	
E	B-19262	LMU	14.10.31	dr	L.MULIN		05.09.28	dwg no	
F	B-19924	BVE	15.01.08	enr	J.COMPAGNON		05.09.28	sheet 1 of 1 size	
				chr				67032 A3	
				appd	JM.C		05.09.28	type CUSTOMER Drawing	
sheet index		revision sheet							