



Chipsmall Limited consists of a professional team with an average of over 10 year of expertise in the distribution of electronic components. Based in Hongkong, we have already established firm and mutual-benefit business relationships with customers from,Europe,America and south Asia,supplying obsolete and hard-to-find components to meet their specific needs.

With the principle of “Quality Parts,Customers Priority,Honest Operation,and Considerate Service”,our business mainly focus on the distribution of electronic components. Line cards we deal with include Microchip,ALPS,ROHM,Xilinx,Pulse,ON,Everlight and Freescale. Main products comprise IC,Modules,Potentiometer,IC Socket,Relay,Connector.Our parts cover such applications as commercial,industrial, and automotives areas.

We are looking forward to setting up business relationship with you and hope to provide you with the best service and solution. Let us make a better world for our industry!



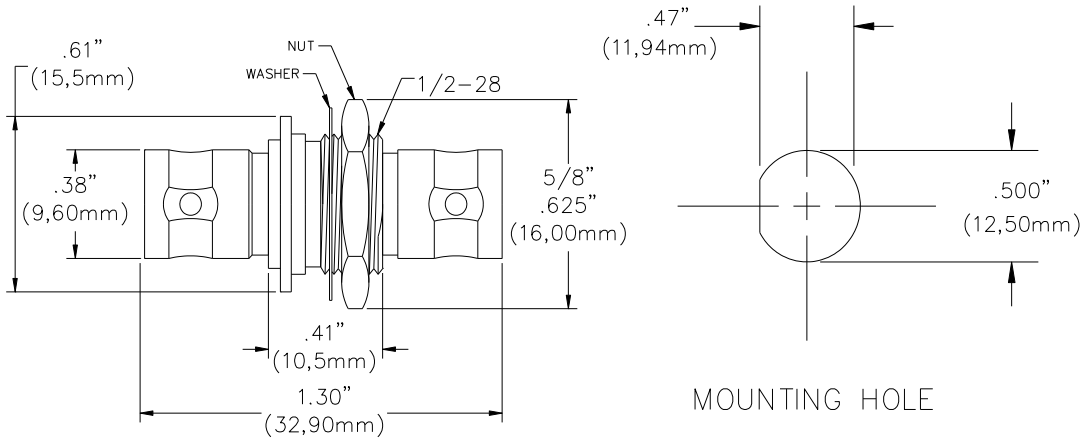
## Contact us

Tel: +86-755-8981 8866 Fax: +86-755-8427 6832

Email & Skype: info@chipsmall.com Web: www.chipsmall.com

Address: A1208, Overseas Decoration Building, #122 Zhenhua RD., Futian, Shenzhen, China





**Features:**

- ✓ True 75 ohm impedance.
- ✓ Designed to meet the rigid standards for HDTV.
- ✓ Panel isolated with black nickel plating for easily identification as an HDTV connector.
- ✓ Connectors are precision machined (not die-cast) from brass.
- ✓ Insulator material is high density PTFE to maintain a perfect dielectric constant.
- ✓ Connectors utilize gold plated contact pin to maintain low return loss in high definition applications.

**Materials:**

Connector Body:	Black nickel plated brass
Outer Contact:	Nickel plated brass
Female Contact Pin:	Gold plated brass
Insulator:	Polytetrafluorethylene (PTFE)

**Ratings:**

Impedance:	75 ohms
Frequency:	0 to 3 GHz.
VSWR:	1.3 max
Insertion Loss:	0.2 db (@ 3GHz.)
Leakage Loss:	-55 db (@ 3GHz.)
Contact Resistance:	3 Milliohms
Insulation Resistance:	5,000 Megohms
Insertions:	500
Temperature:	-40° F to 185° F (-40°C to +85°C)

Operating Voltage: Hands free usage in controlled voltage environments: 500 Vrms maximum. *For CE compliance:* not intended for hand-held use at voltages above 33 Vrms/70 Vdc.

All dimensions are in inches. Tolerances (except noted): .xx = ±.02" (.51 mm), .xxx = ±.005" (.127 mm).  
 All specifications are to the latest revisions. Specifications are subject to change without notice.  
 Registered trademarks are the property of their respective companies. Made in USA

Sales: 800-490-2361 Fax: 888-403-3360 Technical Assistance: 800-241-2060  
 For "Where to Buy" information, visit the Pomona web site at [www.pomonaelectronics.com](http://www.pomonaelectronics.com)