



Chipsmall Limited consists of a professional team with an average of over 10 year of expertise in the distribution of electronic components. Based in Hongkong, we have already established firm and mutual-benefit business relationships with customers from,Europe,America and south Asia,supplying obsolete and hard-to-find components to meet their specific needs.

With the principle of "Quality Parts,Customers Priority,Honest Operation,and Considerate Service",our business mainly focus on the distribution of electronic components. Line cards we deal with include Microchip,ALPS,ROHM,Xilinx,Pulse,ON,Everlight and Freescale. Main products comprise IC,Modules,Potentiometer,IC Socket,Relay,Connector.Our parts cover such applications as commercial,industrial, and automotives areas.

We are looking forward to setting up business relationship with you and hope to provide you with the best service and solution. Let us make a better world for our industry!



Contact us

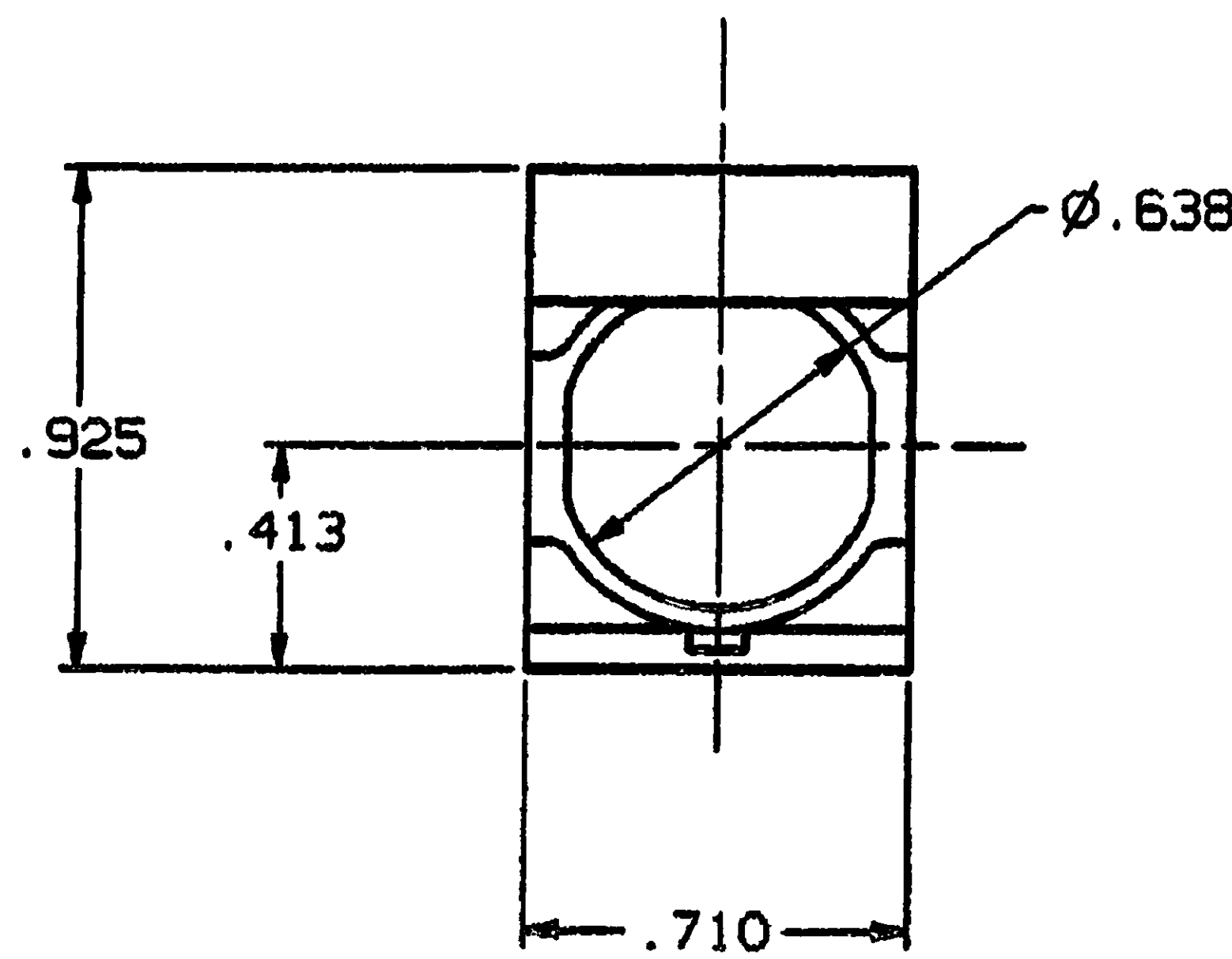
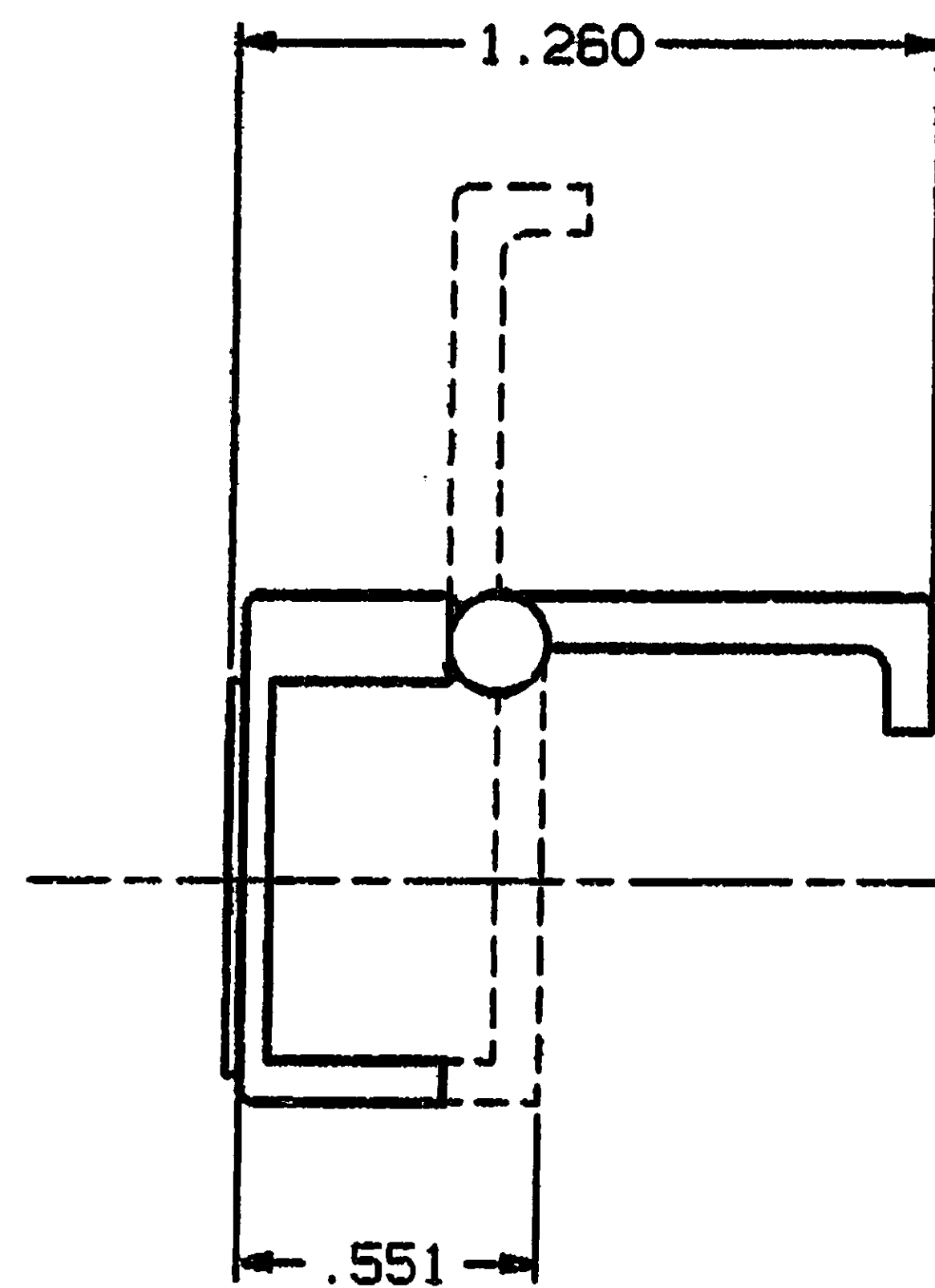
Tel: +86-755-8981 8866 Fax: +86-755-8427 6832

Email & Skype: info@chipsmall.com Web: www.chipsmall.com

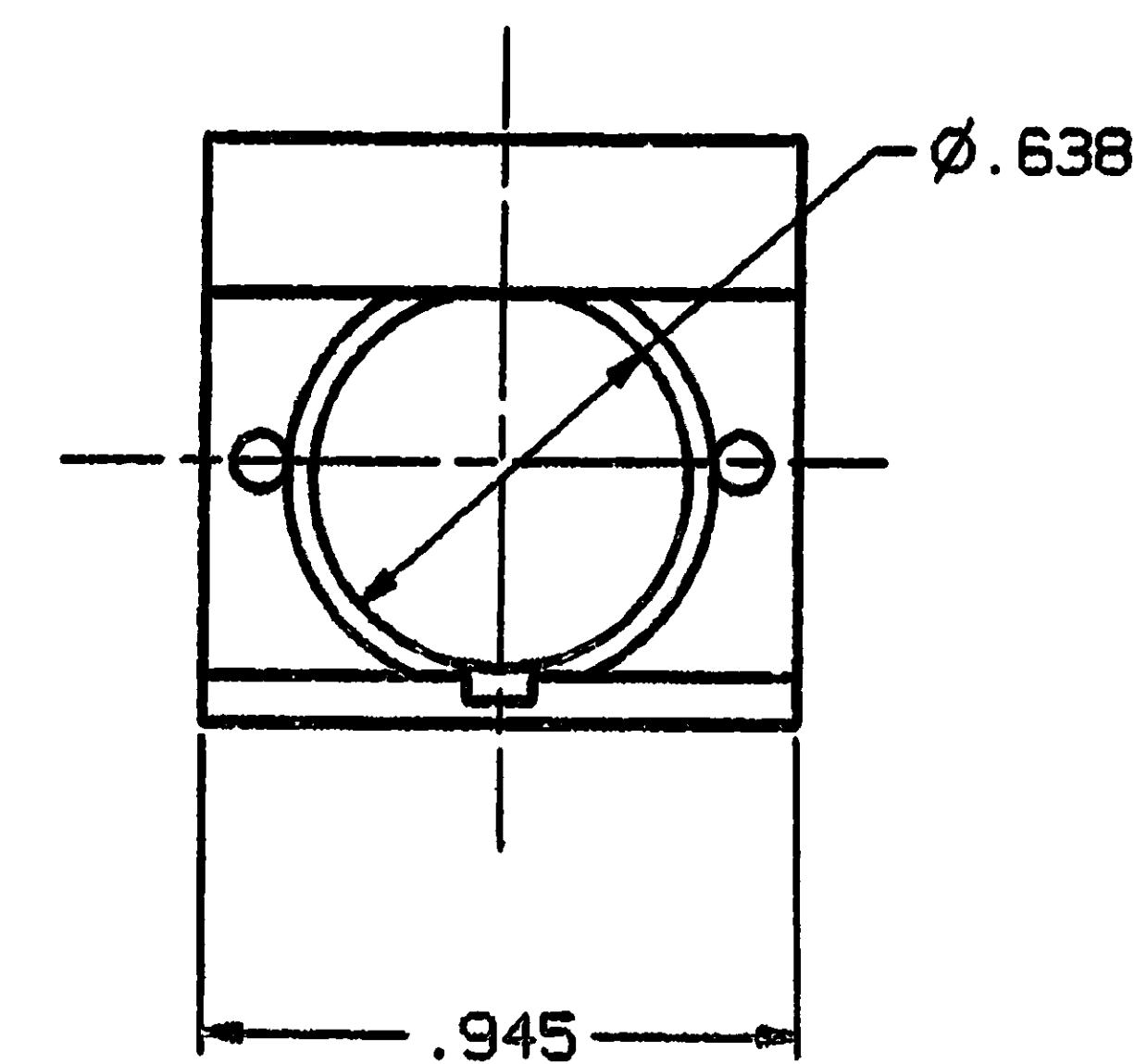
Address: A1208, Overseas Decoration Building, #122 Zhenhua RD., Futian, Shenzhen, China



CONVERSION CHART	
INCH	MM
.413	10.5
.551	14.0
.638	16.2
.710	18.0
.925	23.5
.945	24.0
1.260	32.0

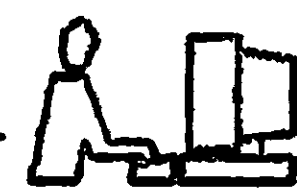


MODEL #671
SQUARE



MODEL #669
RECTANGULAR

THIS IS A C.A.D. GENERATED DRAWING.
DO NOT HAVE MANUAL REVISIONS TO PARTS.



REVISIONS INT'L RELEASE ESR/AS288 TRU-D 5-10-94 APP'D	REV 0	THIRD ANGLE PROJECTION	UNLESS OTHERWISE SPECIFIED DIMENSIONS ARE IN INCHES DO NOT SCALE PRINT		ORIGINAL DATE OF DRAWING: 5-10-94		452 JOHN DIETSCH BLVD. ATTLEBORO FALLS, MASS. 02763 INC.		
	TOLERANCES (EXCEPT AS NOTED) ANGULAR = $\pm 1/2^\circ$ DECIMAL .XX = \pm DECIMAL .XXX = $\pm .012$ (0.30) DECIMAL .XXXX = \pm		FILE NAME: 81092	DIRECTORY: GUIDE	DRAWN: TRU-D	DATE: 5-10-94		TITLE: COVER, FLIP SWITCH GUARD	
	AUGAT CONFIDENTIAL This document contains information which is the exclusive property of Augat Inc. Distribution, reproduction or use by others is not permitted without the expressed written consent of Augat Inc.		MATERIAL: PLASTIC	CHECKED: <i>[Signature]</i>	DATE: 5-11-94	DWG. NO. 81092			
	FINISH: BASE-BLACK COVER-CLEAR		APPROVED: <i>[Signature]</i>	DATE: 5/11/94	CODE IDENT. NO. 91506	DWG. SIZE B		REV. 0	
		NEXT ASSY:		PRODUCT CODE: B15		SCALE: NONE SHEET 1 OF 1			