



Chipsmall Limited consists of a professional team with an average of over 10 year of expertise in the distribution of electronic components. Based in Hongkong, we have already established firm and mutual-benefit business relationships with customers from,Europe,America and south Asia,supplying obsolete and hard-to-find components to meet their specific needs.

With the principle of “Quality Parts,Customers Priority,Honest Operation,and Considerate Service”,our business mainly focus on the distribution of electronic components. Line cards we deal with include Microchip,ALPS,ROHM,Xilinx,Pulse,ON,Everlight and Freescale. Main products comprise IC,Modules,Potentiometer,IC Socket,Relay,Connector.Our parts cover such applications as commercial,industrial, and automotives areas.

We are looking forward to setting up business relationship with you and hope to provide you with the best service and solution. Let us make a better world for our industry!



Contact us

Tel: +86-755-8981 8866 Fax: +86-755-8427 6832

Email & Skype: info@chipsmall.com Web: www.chipsmall.com

Address: A1208, Overseas Decoration Building, #122 Zhenhua RD., Futian, Shenzhen, China



DIN-Rail Receptacle

DRAC DP 15

DRAC GF 15

DRAC DP 20

DRAC GF 20

NEW



DIN-Rail receptacles are enclosed 15A and 20A power outlets that provide a convenient power source for portable computers or test devices for in-the-panel troubleshooting.

- Easily snaps onto 35mm DIN-rail
- Panel mountable
- 15A or 20A versions
- Easy to wire
- Available with ground fault current interrupt (GFCI) or standard duplex outlets
- Option for visual indication of power included with GFCI
- NEMA rated enclosure with UL94 VO flammability rating
- UL508A and cULus approved

Canada

Weidmüller, Canada
10 Spy Court
Markham, Ontario L3R 5H6
Telephone: (800) 268-4080
Facsimile: (905) 475-2798
Email: info1@weidmuller.ca
Website: www.weidmuller.ca

Mexico

Weidmüller, Mexico
Blvd. Hermanos Serdán 698
Col. San Rafael Oriente
Puebla, Puebla, Mexico
C.P. 72029
Telephone: 01 222 2686267
Facsimile: 01 222 2686219
Email: clientes@weidmuller.com.mx
Website: www.weidmuller.com.mx

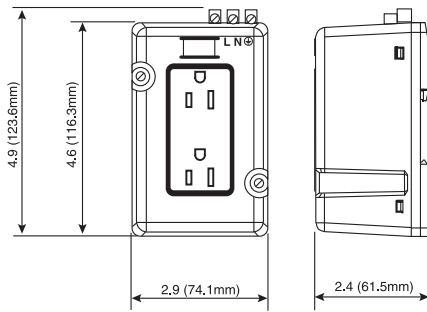
United States

Weidmüller
821 Southlake Blvd.
Richmond, Virginia 23236
Telephone: (800) 849-9343
Facsimile: (804) 379-2593
Email: info@weidmuller.com
Website: www.weidmuller.com

Weidmüller 

DIN-Rail Receptacle

Dimensional Drawing



15 Amp Duplex



15 Amp GFCI



Technical data

Voltage	125 VAC
Current	15A
Operating Frequency	50 - 60 Hz
Dielectric Voltage	Withstands 2000V per UL498
Current Interrupting	Full rated current
Trip Level	N/A
Termination Wire Size	#20 - #10 AWG solid or stranded
Terminal Torque	7 lb.-in. (.79 Nm)
Temperature:	
Operating	-35°C to 60°C
Storage	-25°C to 80°C
Material Listing	
Enclosure Cover, Flammibility	PBT/polycarbonate blend, UL94 rating V0 @ .63mm
Enclosure Base, Flammibility	Polyamide 6/6 30% GF, UL94 rating V0 @ .63mm
Spring	Stainless Steel

Voltage	125 VAC
Current	15A
Operating Frequency	50 - 60 Hz
Dielectric Voltage	Withstands 2000V per UL498
Current Interrupting	Full rated current
Trip Level	N/A
Termination Wire Size	#20 - #10 AWG solid or stranded
Terminal Torque	7 lb.-in. (.79 Nm)
Temperature:	
Operating	-35°C to 60°C
Storage	-25°C to 80°C
Material Listing	
Enclosure Cover, Flammibility	PBT/polycarbonate blend, UL94 rating V0 @ .63mm
Enclosure Base, Flammibility	Polyamide 6/6 30% GF, UL94 rating V0 @ .63mm
Spring	Stainless Steel

Voltage	125 VAC
Current	15A
Operating Frequency	50 - 60 Hz
Dielectric Voltage	Withstands 1500V per UL498
Current Interrupting	10 kA
Trip Level	5±1 mA
Termination Wire Size	#20 - #10 AWG solid or stranded
Terminal Torque	7 lb.-in. (.79 Nm)
Temperature:	
Operating	-35°C to 60°C
Storage	-25°C to 80°C
Material Listing	
Enclosure Cover, Flammibility	PBT/polycarbonate blend, UL94 rating V0 @ .63mm
Enclosure Base, Flammibility	Polyamide 6/6 30% GF, UL94 rating V0 @ .63mm
Spring	Stainless Steel

Approvals/Certifications

Description
TUL 508A (file # E223801)
cULus
UL498
NEMA WD-6
NEMA 5-15R

Description
TUL 508A (file # E223801)
cULus
UL 943
NEMA WD-6
NEMA 5-15R

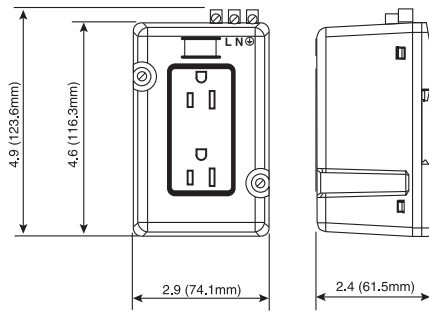
Ordering data

Type	Part No.
DRAC DP 15	6720005421

Type	Part No.
DRAC GF 15	6720005422

DIN-Rail Receptacle

Dimensional Drawing



20 Amp Duplex



20 Amp GFCI



Technical data

	20 Amp Duplex	20 Amp GFCI
Voltage	125 VAC	125 VAC
Current	20A	20A
Operating Frequency	50 - 60 Hz	50 - 60 Hz
Dielectric Voltage	Withstands 2000V per UL498	Withstands 1500V per UL498
Current Interrupting	Full rated current	10 kA
Trip Level	N/A	5±1 mA
Termination Wire Size	#20 - #10 AWG solid or stranded	#20 - #10 AWG solid or stranded
Terminal Torque	7 lb.-in. (.79 Nm)	7 lb.-in. (.79 Nm)
Temperature:		
Operating	-35°C to 60°C	-35°C to 60°C
Storage	-25°C to 80°C	-25°C to 80°C
Material Listing		
Enclosure Cover, Flammibility	PBT/polycarbonate blend, UL94 rating V0 @ .63mm	PBT/polycarbonate blend, UL94 rating V0 @ .63mm
Enclosure Base, Flammibility	Polyamide 6/6 30% GF, UL94 rating V0 @ .63mm	Polyamide 6/6 30% GF, UL94 rating V0 @ .63mm
Spring	Stainless Steel	Stainless Steel

Approvals/Certifications

Description	Description
TUL 508A (file # E223801)	TUL 508A (file # E223801)
cULus	cULus
UL498	UL 943
NEMA WD-6	NEMA WD-6
NEMA 5-15R	NEMA 5-15R

Ordering data

Type	Part No.	Type	Part No.
DRAC DP 20	6720005420	DRAC GF 20	6720005423

