



Chipsmall Limited consists of a professional team with an average of over 10 year of expertise in the distribution of electronic components. Based in Hongkong, we have already established firm and mutual-benefit business relationships with customers from,Europe,America and south Asia,supplying obsolete and hard-to-find components to meet their specific needs.

With the principle of “Quality Parts,Customers Priority,Honest Operation,and Considerate Service”,our business mainly focus on the distribution of electronic components. Line cards we deal with include Microchip,ALPS,ROHM,Xilinx,Pulse,ON,Everlight and Freescale. Main products comprise IC,Modules,Potentiometer,IC Socket,Relay,Connector.Our parts cover such applications as commercial,industrial, and automotives areas.

We are looking forward to setting up business relationship with you and hope to provide you with the best service and solution. Let us make a better world for our industry!



## Contact us

Tel: +86-755-8981 8866 Fax: +86-755-8427 6832

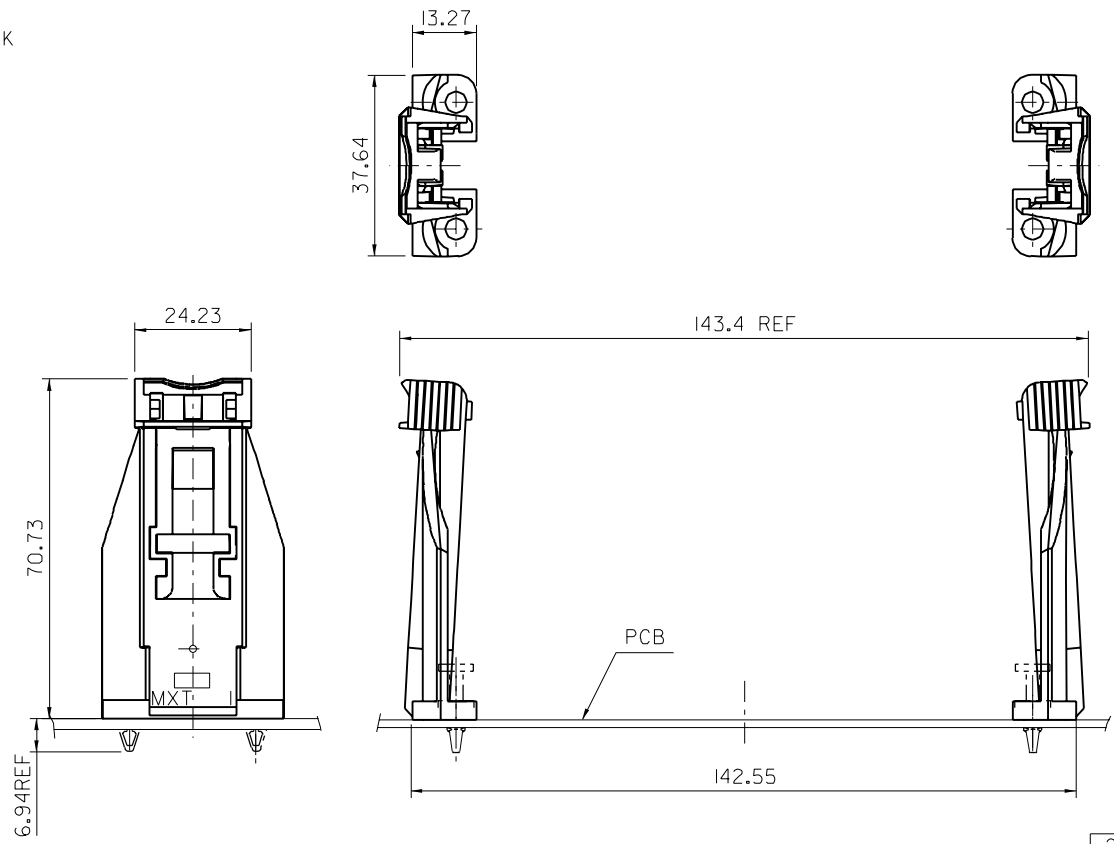
Email & Skype: info@chipsmall.com Web: www.chipsmall.com

Address: A1208, Overseas Decoration Building, #122 Zhenhua RD., Futian, Shenzhen, China



ENG. NO SEE CHART  
EDP NO.  
SIMILAR ITEM  
CADFILE NO. S6721002.S01  
DO NOT SCALE DRAWING

NOTE:  
1. MATERIAL :  
HOUSING : POLYCARBONATE COLOR : BLACK  
FASTENER PIN : NYLON  
FASTENER BODY : NYLON  
2. PRODUCT SPECIFICATION : NONE.  
3. SEE SHEET 2 FOR PC BOARD PATTERN  
AND ISOMETRIC ASSEMBLY VIEW.



RTM EC NO. T 1999-0142 DRWN: SSHIN '98/11/26 CHK: RYANG '98/11/27 APPR: MEGA '98/11/27	QUALITY SYMBOLS MAJOR $\blacktriangledown = 0$ CRITICAL $\nabla = 0$	GENERAL TOLERANCES: (UNLESS SPECIFIED)		SCALE 1:1	DESIGN UNITS <input checked="" type="checkbox"/> mm <input type="checkbox"/> INCH	THIRD ANGLE PROJECTION	DIMENSIONS: <input type="checkbox"/> mm <input type="checkbox"/> INCH <input type="checkbox"/> mm <input type="checkbox"/> ONLY		2 A 1 A SHT REV	
		4 PLACES $\pm 0.$	$\pm .$	DRAWN BY & DATE SSHIN '98/8/03	TITLE: SALES DRAWING OF UNIVERSAL RETENTION MODULE PLASTIC FASTENER				REVISE ON CAD ONLY	
A	REV	3 PLACES $\pm 0.$	$\pm .$	CHECKED BY & DATE		APPROVED BY & DATE		MOLEX MOLEX INCORPORATED		
		2 PLACES $\pm 0.25$	$\pm 0.10$	CAD FILENAME S6721002.S01		MATERIAL NO. SEE CHART	DRAWING NO. SD-67210-002	SHEET NO. 1 OF 2	SIZE A3	
		1 PLACE $\pm 0.25$	$\pm 0.10$	DRAFT WHERE APPLICABLE MUST REMAIN WITHIN DIMENSIONS						THIS DRAWING CONTAINS INFORMATION THAT IS PROPRIETARY TO MOLEX INCORPORATED AND SHOULD NOT BE USED WITHOUT WRITTEN PERMISSION.

ENG. NO SEE CHART

EDP NO.

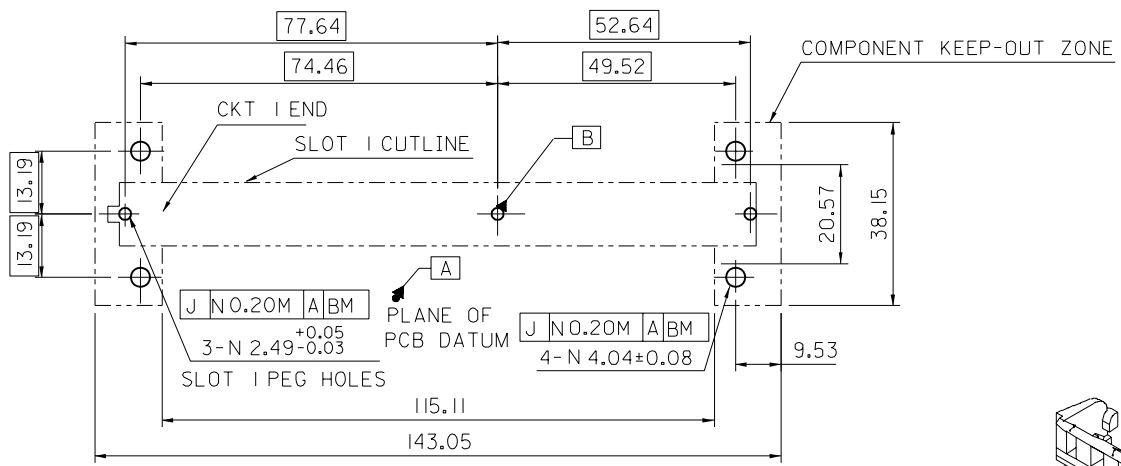
SIMILAR ITEM

S6721002.S02  
CADFILE NO.

DO NOT SCALE DRAWING

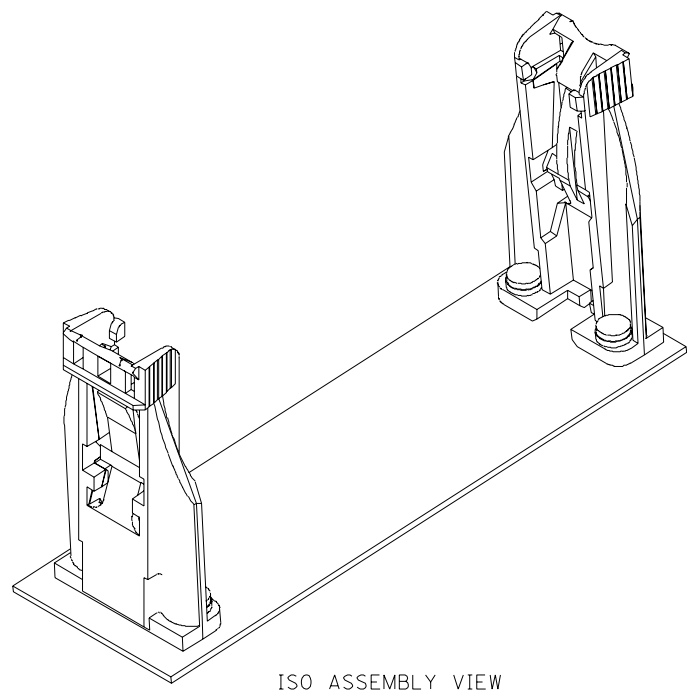
8 7 6 5 4 3 2 1

F  
E  
D  
C  
B  
A



RECOMMENDED PCB LAYOUT  
CONNECTOR SIDE

MATERIAL NUMBER	PACKING STYLE
67210-0006	INDIVIDUAL BAG (2 PCS/BAG)
67210-1006	BULK BAG (40 PCS/BAG)



ISO ASSEMBLY VIEW

RTM EC NO. T1999-0142 DRWN: SSHIN '98/11/26 CHK: RYANG '98/11/27 APPR: MEGA '98/11/27	QUALITY SYMBOLS MAJOR $\blacktriangledown = 0$ CRITICAL $\blacktriangle = 0$	GENERAL TOLERANCES: (UNLESS SPECIFIED)		SCALE 1:1	DESIGN UNITS <input checked="" type="checkbox"/> mm <input type="checkbox"/> INCH	THIRD ANGLE PROJECTION	DIMENSIONS: <input type="checkbox"/> mm <input type="checkbox"/> INCH <input type="checkbox"/> mm ONLY	SHT   REV	
		4 PLACES $\pm 0.$ $\pm .$ 3 PLACES $\pm 0.$ $\pm .$ 2 PLACES $\pm 0.25$ $\pm 0.10$ 1 PLACE $\pm 0.25$ $\pm 0.10$	DRAWN BY & DATE SSHIN '98/8/03 CHECKED BY & DATE	TITLE: SALES DRAWING OF UNIVERSAL RETENTION MODULE PLASTIC FASTENER			REVISE ON CAD ONLY		
A	DESCRIPTION	ANGULAR: $\pm 3^\circ$		APPROVED BY & DATE	MOLEX INCORPORATED		MATERIAL NO. SEE CHART	DRAWING NO. SD-67210-002	SHEET NO. 2
DRAFT WHERE APPLICABLE MUST REMAIN WITHIN DIMENSIONS				THIS DRAWING CONTAINS INFORMATION THAT IS PROPRIETARY TO MOLEX INCORPORATED AND SHOULD NOT BE USED WITHOUT WRITTEN PERMISSION.				SIZE A3	