



Chipsmall Limited consists of a professional team with an average of over 10 year of expertise in the distribution of electronic components. Based in Hongkong, we have already established firm and mutual-benefit business relationships with customers from,Europe,America and south Asia,supplying obsolete and hard-to-find components to meet their specific needs.

With the principle of "Quality Parts,Customers Priority,Honest Operation,and Considerate Service",our business mainly focus on the distribution of electronic components. Line cards we deal with include Microchip,ALPS,ROHM,Xilinx,Pulse,ON,Everlight and Freescale. Main products comprise IC,Modules,Potentiometer,IC Socket,Relay,Connector.Our parts cover such applications as commercial,industrial, and automotives areas.

We are looking forward to setting up business relationship with you and hope to provide you with the best service and solution. Let us make a better world for our industry!



## Contact us

Tel: +86-755-8981 8866 Fax: +86-755-8427 6832

Email & Skype: info@chipsmall.com Web: www.chipsmall.com

Address: A1208, Overseas Decoration Building, #122 Zhenhua RD., Futian, Shenzhen, China

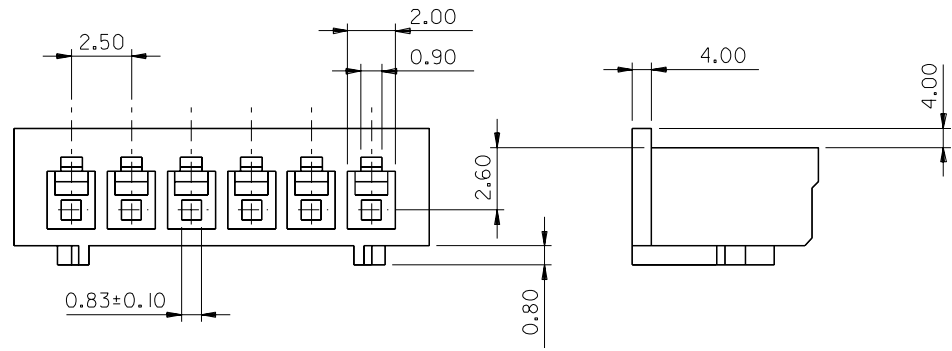
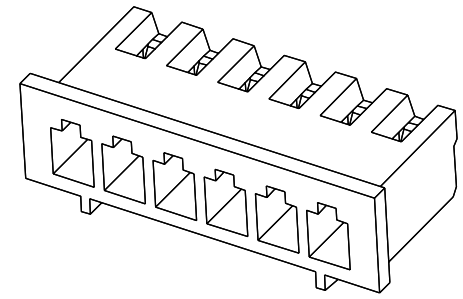
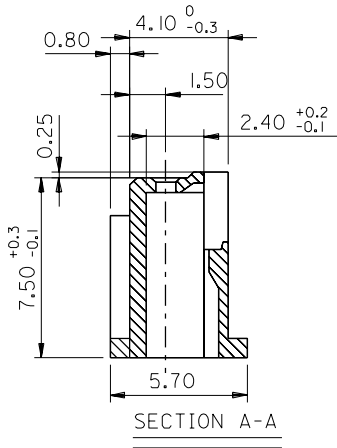
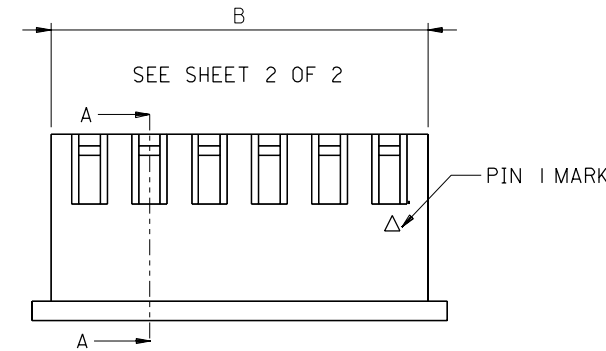


DO NOT SCALE DRAWING

CADFILE NO. S672610.LS01 SIMILAR ITEM

EDP NO.

ENG. NO SD-67261-0001



- NOTES:
- MATERIAL: NYLON, UL 94V-0  
COLOR: WHITE
  - APPLICABLE TERMINAL: 67262
  - PRODUCT SPEC.: PS-67261-003.

2	C
1	C
SHT	REV
REVISE ON CAD ONLY	

C	UPDATE TITLE DESCRIPTION EC NO. T2000-0009 DRWN: GRACE LEU 00/08/28 CHK: EMILY HSU APPR: MEGA LIN
	R.T.M. EC NO. T2000-0193 DRWN: G.Wang 00/03/13 CHK: WILSON CHANG APPR: MEGA LIN
	NEW RELEASE EC NO. T2000-0043 DRWN: G.Wang 1999/08/26 CHK: Wilson Chang APPR: Mega Lin
REV	QUALITY SYMBOLS MAJOR  = 0 CRITICAL  = 0 DESCRIPTION

GENERAL TOLERANCES: (UNLESS SPECIFIED)	
	mm INCH
4 PLACES	±0.15 ±.006
3 PLACES	±0.25 ±.010
2 PLACES	±0.25 ±.010
1 PLACE	±0.25 ±.010
ANGULAR: +3°	
DRAFT WHERE APPLICABLE MUST REMAIN WITHIN DIMENSIONS	

SCALE 5:1	DESIGN UNITS <input checked="" type="checkbox"/> mm <input type="checkbox"/> INCH
DRAWN BY & DATE <b>G.Wang 1999/08/26</b>	
CHECKED BY & DATE	
APPROVED BY & DATE	
CAD FILENAME <b>S672610.LS01</b>	

THIRD ANGLE PROJECTION		DIMENSIONS: <input type="checkbox"/> mm <input type="checkbox"/> INCH <input type="checkbox"/> mm <input type="checkbox"/> ONLY	
TITLE: <b>2.50 MM PITCH WIRE TO BOARD, HOUSING</b>			
MATERIAL NO. <b>SEE CHART</b>			
DRAWING NO. <b>SD-67261-001</b>		SHEET NO. <b>1 OF 2</b>	
THIS DRAWING CONTAINS INFORMATION THAT IS PROPRIETARY TO MOLEX INCORPORATED AND SHOULD NOT BE USED WITHOUT WRITTEN PERMISSION.			
			SIZE <b>A3</b>

DO NOT SCALE DRAWING

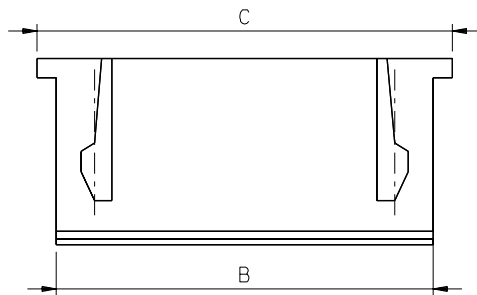
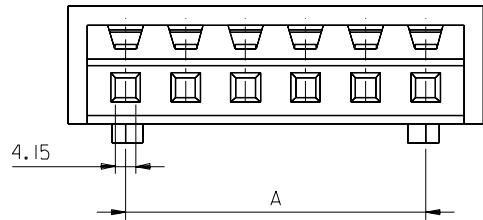
CADFILE NO.:S6726101.S02

SIMILAR ITEM

EDP NO.

ENG. NO SD-67261-0001

8 7 6 5 4 3 2 1



CIRCUITS	A	B	C	CIRCUITS	A	B	C
2	2,5±0,05	5,7±0,20	7,3	9	20,0±0,15	23,2±0,20	24,8±0,20
3	5,0±0,05	8,2±0,20	9,8	10	22,5±0,15	25,7 <sup>+0,20</sup> <sub>-0,30</sub>	27,3 <sup>+0,20</sup> <sub>-0,30</sub>
4	7,5±0,08	10,7±0,20	12,3	11	25,0±0,15	28,4 <sup>+0,20</sup> <sub>-0,30</sub>	29,8 <sup>+0,20</sup> <sub>-0,30</sub>
5	10,0±0,08	13,2±0,20	14,8	12	27,5±0,15	30,7 <sup>+0,20</sup> <sub>-0,30</sub>	32,3 <sup>+0,20</sup> <sub>-0,30</sub>
6	12,5±0,08	15,7±0,20	17,3	13	30,0±0,15	33,2 <sup>+0,20</sup> <sub>-0,30</sub>	34,8 <sup>+0,20</sup> <sub>-0,30</sub>
7	15,0±0,08	18,2±0,20	19,8	14	32,5±0,15	35,7 <sup>+0,20</sup> <sub>-0,30</sub>	37,3 <sup>+0,20</sup> <sub>-0,30</sub>
8	17,5±0,10	20,7±0,20	22,3	15	35,0±0,15	38,2 <sup>+0,20</sup> <sub>-0,30</sub>	39,8 <sup>+0,20</sup> <sub>-0,30</sub>

MATERIAL NO.

67261-\*\*00

PIN NUMBER:  
02 ... 15

UPDATE TITLE DESCRIPTION EC NO. T2001-0009 DRWN: GRADE LEU 00/08/28 CHK: EMILY HSU APPR: MEGA LIN		R.T.M. EC NO. T2000-0193 DRWN: G.WANG 00/03/13 CHK: WILSON CHANG APPR: MEGA LIN		NEW RELEASE EC NO. T2000-0043 DRWN: G.WANG 99/08/26 CHK: WILSON CHANG APPR: MEGA LIN		QUALITY SYMBOLS MAJOR = 0 CRITICAL = 0	GENERAL TOLERANCES: (UNLESS SPECIFIED) 4 PLACES ±0. 3 PLACES ±0. 2 PLACES ±0.25 1 PLACE ±0.25	SCALE 5:1 DESIGN UNITS <input checked="" type="checkbox"/> mm <input type="checkbox"/> INCH DRAWN BY & DATE <b>G.Wang 1999/08/26</b> CHECKED BY & DATE APPROVED BY & DATE	DIMENSIONS: <input type="checkbox"/> mm <input type="checkbox"/> INCH <input type="checkbox"/> mm <input type="checkbox"/> INCH <input type="checkbox"/> mm ONLY	SHT REV REVISE ON CAD ONLY		
TITLE: <b>2.50 MM PITCH WIRE TO BOARD, HOUSING</b>						THIRD ANGLE PROJECTION		MOLEX INCORPORATED				
C		B		A		REV		CAD FILENAME <b>S6726101.S02</b>		MATERIAL NO. <b>SEE CHART</b>	DRAWING NO. <b>SD-67261-001</b>	SHEET NO. <b>2 OF 2</b>
DRAFT WHERE APPLICABLE MUST REMAIN WITHIN DIMENSIONS								ANGULAR: +3°		THIS DRAWING CONTAINS INFORMATION THAT IS PROPRIETARY TO MOLEX INCORPORATED AND SHOULD NOT BE USED WITHOUT WRITTEN PERMISSION.		SIZE <b>A3</b>

F

E

D

C

B

A