



Chipsmall Limited consists of a professional team with an average of over 10 year of expertise in the distribution of electronic components. Based in Hongkong, we have already established firm and mutual-benefit business relationships with customers from,Europe,America and south Asia,supplying obsolete and hard-to-find components to meet their specific needs.

With the principle of “Quality Parts,Customers Priority,Honest Operation,and Considerate Service”,our business mainly focus on the distribution of electronic components. Line cards we deal with include Microchip,ALPS,ROHM,Xilinx,Pulse,ON,Everlight and Freescale. Main products comprise IC,Modules,Potentiometer,IC Socket,Relay,Connector.Our parts cover such applications as commercial,industrial, and automotives areas.

We are looking forward to setting up business relationship with you and hope to provide you with the best service and solution. Let us make a better world for our industry!



Contact us

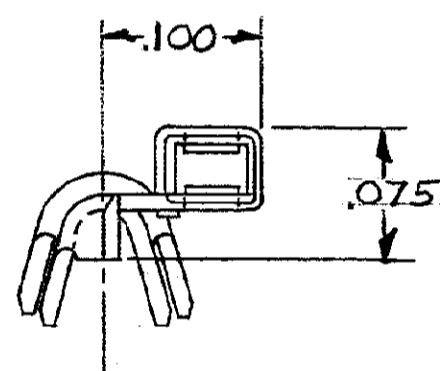
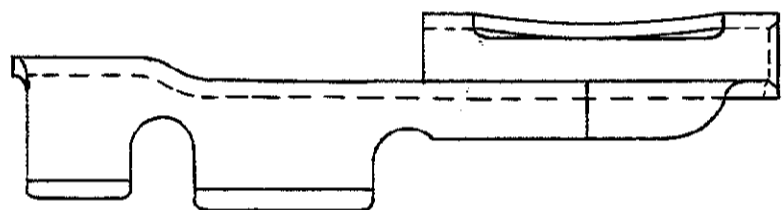
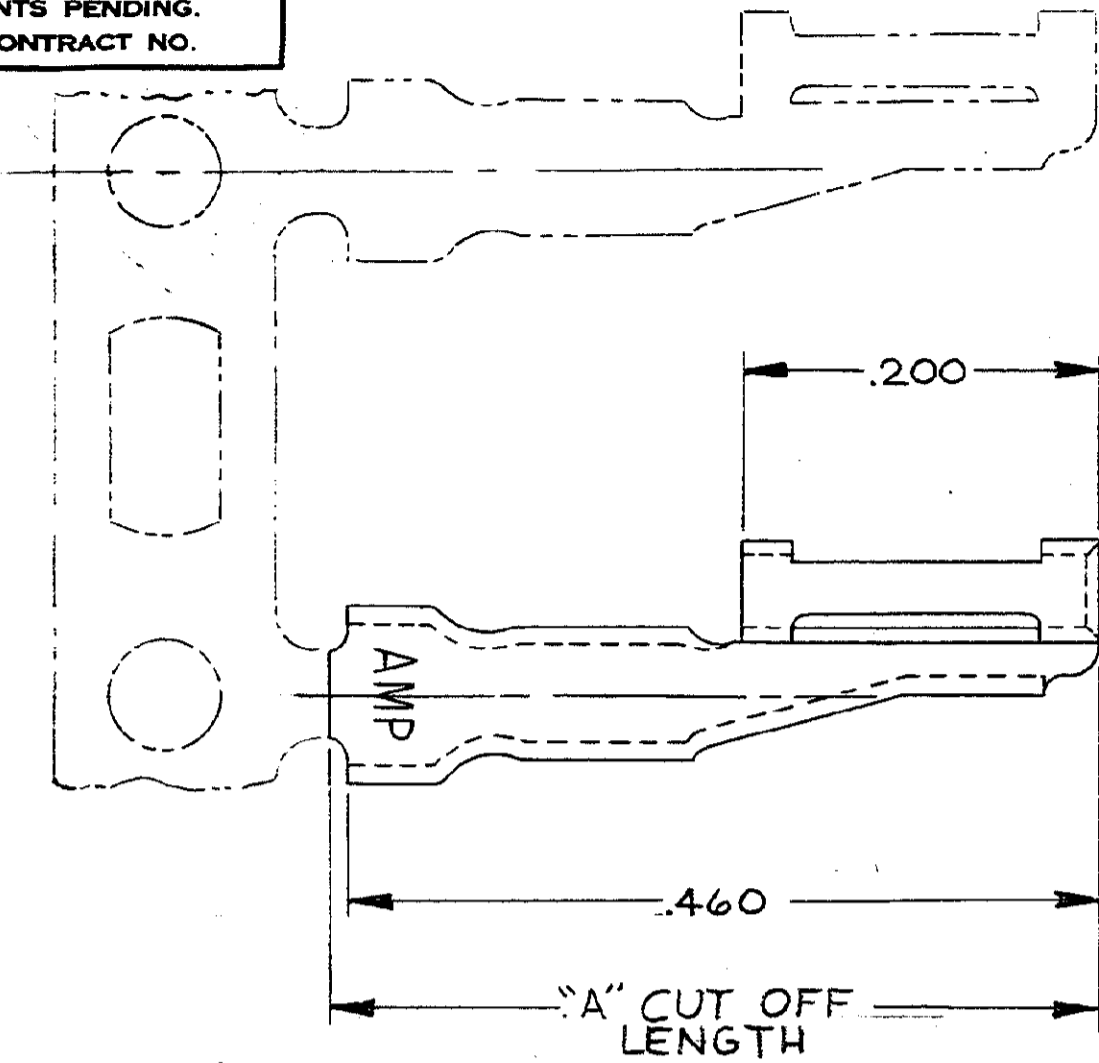
Tel: +86-755-8981 8866 Fax: +86-755-8427 6832

Email & Skype: info@chipsmall.com Web: www.chipsmall.com

Address: A1208, Overseas Decoration Building, #122 Zhenhua RD., Futian, Shenzhen, China



© 1966 BY AMP INCORPORATED. ALL RIGHTS RESERVED. AMP PRODUCTS COVERED BY PATENTS AND/OR PATENTS PENDING. APPROVED PER GOVT CONTRACT NO.

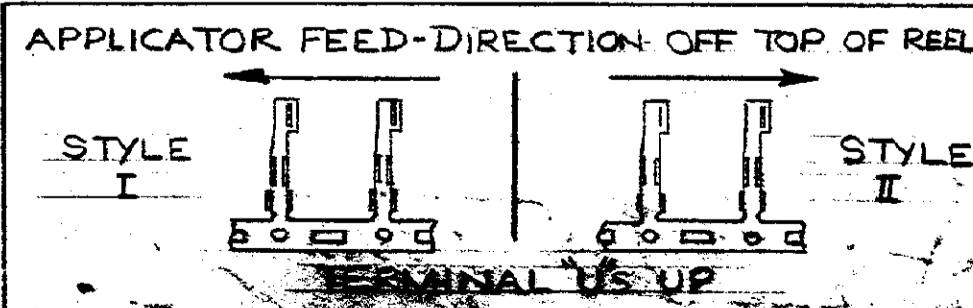


REVISIONS				
ZONE	LTR	DESCRIPTION	DATE	APPROVED
	0	PER N.P.S. 66-1956 Rev 1	FY 11/26/66	RHW
	A	ADDED -1 & -2 PER NPS 7-14089 & ECN TPC 0336	2/7/67	RHW
	B	TP-0544 (WIRE SIZE, R CHANGED) TPC-0532	1/11/67 DAS	
	C	ADDED 67263-3, NPS 8-14001	1-30-68	GS
	D	PER T.P. 1489 (WIRE SIZE CHANGED)	1-8-70	FNN
	E	REV. PER WP2782	11-26-74	PY
	F	REV PER ADO053	12-27-83	GS
	F	OBSOLETE -3 PER AD1126	2/19/86	GS

OBSOLETE

REEL STYLE	QTY	NOMENCLATURE OR DESCRIPTION	PART OR IDENTIFYING NO.	FINISH
A	1	CRIMP ON RECP'E	67263-2	GOLD # .000010 MIN (MIL-G-45204) TYPE II (.000030 MIN ON RECEPTACLE END); ALL OVER NICKEL # .000030 MIN (QQ-N-290).
	1		67263-1	

OPTIONAL POST APPLIED INSULATION
HEAT SHRINKABLE TUBING P/N 67279-1
(COVERS WIRE & INSULATION BARRELS ONLY)



UNLESS OTHERWISE SPECIFIED DIMENSIONS ARE IN INCHES TOLERANCES ON FRACTIONS DECIMALS ANGLES ± 1/64 ± .008 ± 5°		CONTRACT NO. #		AMP HARRISBURG, PENNSYLVANIA	
DR. <i>R. Young</i>	DATE 10-27-66	NAME		CRIMP ON RECEPTACLE WIRE SIZE 26-20 .022 x .040 POST .100 x .150 GRID	
CHK. <i>R. Wolfe</i>	DATE 11/26/66	MATERIAL PHOSPHOR BRONZE (QQ-P-750) .010 THK		SIZE C 00779	
DSGN. <i>R. W. Allen</i>	DATE 11-23-66	HEAT TREAT		NUMBER 67263	
APPR. <i>Swabel</i>	DATE	FINISH		CUSTOMER DRAWING	

NUMBER 67263