



Chipsmall Limited consists of a professional team with an average of over 10 year of expertise in the distribution of electronic components. Based in Hongkong, we have already established firm and mutual-benefit business relationships with customers from,Europe,America and south Asia,supplying obsolete and hard-to-find components to meet their specific needs.

With the principle of “Quality Parts,Customers Priority,Honest Operation,and Considerate Service”,our business mainly focus on the distribution of electronic components. Line cards we deal with include Microchip,ALPS,ROHM,Xilinx,Pulse,ON,Everlight and Freescale. Main products comprise IC,Modules,Potentiometer,IC Socket,Relay,Connector.Our parts cover such applications as commercial,industrial, and automotives areas.

We are looking forward to setting up business relationship with you and hope to provide you with the best service and solution. Let us make a better world for our industry!



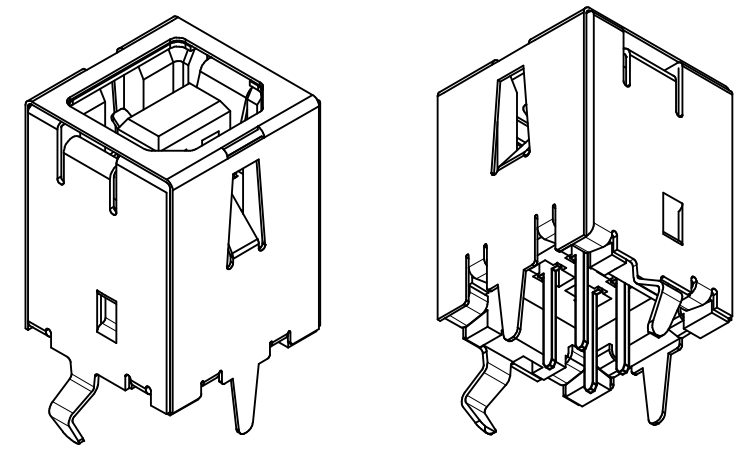
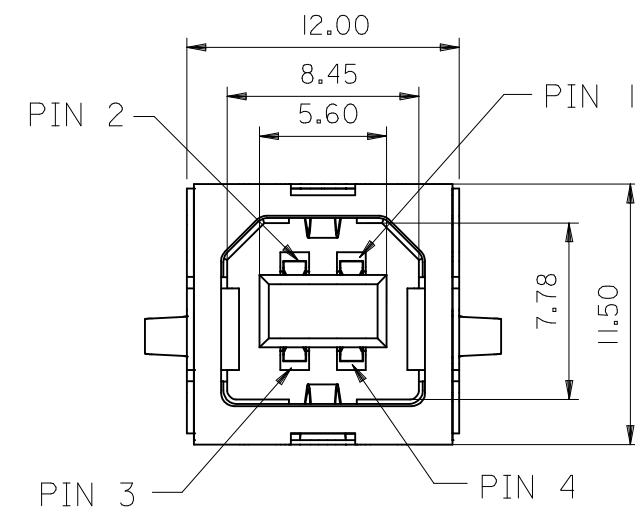
Contact us

Tel: +86-755-8981 8866 Fax: +86-755-8427 6832

Email & Skype: info@chipsmall.com Web: www.chipsmall.com

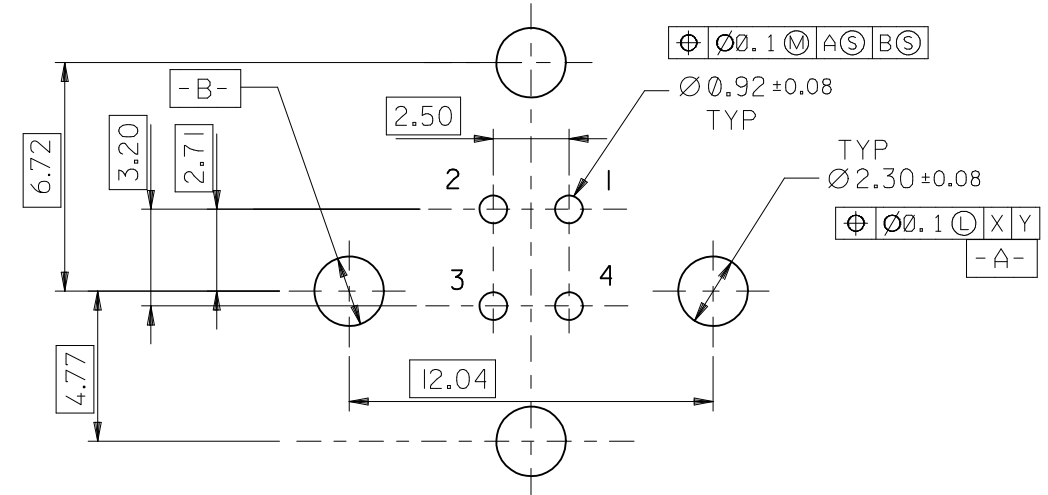
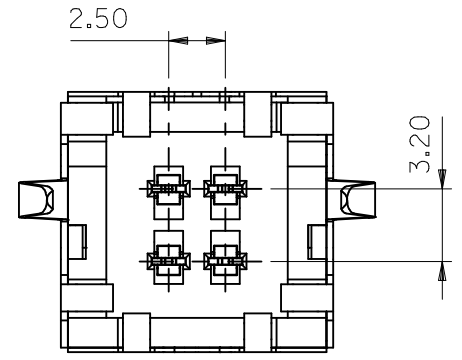
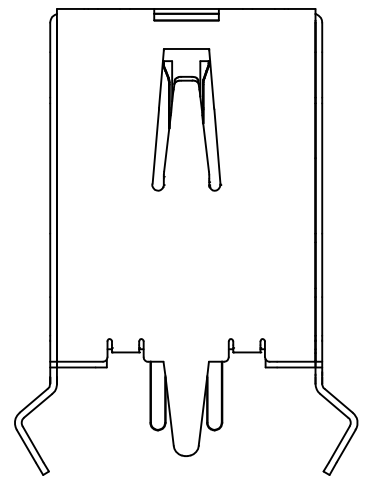
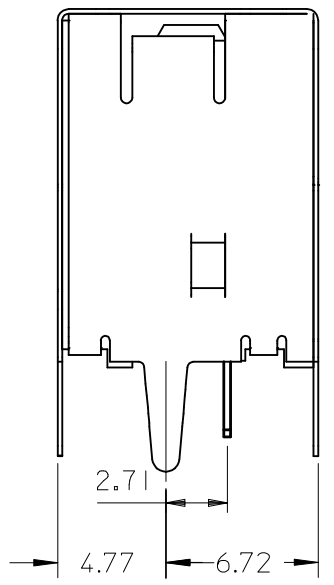
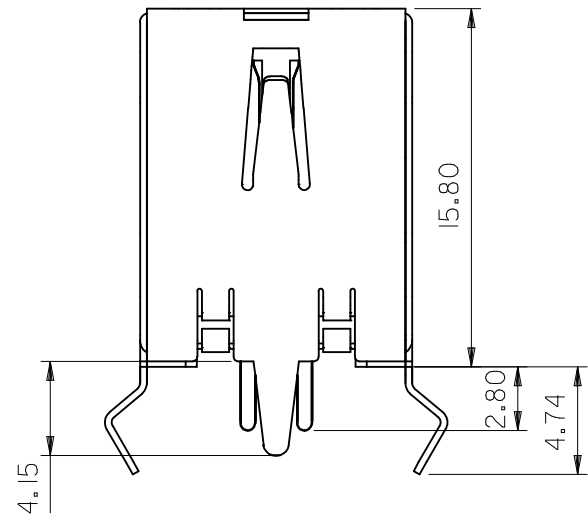
Address: A1208, Overseas Decoration Building, #122 Zhenhua RD., Futian, Shenzhen, China





NOTES :

- MATERIAL :
 HOUSING : POLYESTER ,UL94V-0 ,
 COLOR:BLACK, OR WHITE
 TERMINAL : PHOSPHOR BRONZE (PhBr)
 METAL SHELL : COPPER ALLOY
- PLATING :
 TERMINAL :
 CONTACT AREA :
 (a) GOLD FLASH.
 (b) GOLD (Au), THICKNESS=30 MICROINCH /0.76 MICROMETER
 SOLDER TAIL : (a) TIN-LEAD (90/10) ALLOY
 ,THICKNESS=150 MICROINCH/3.8 MICROMETER
 (b) PURE TIN PLATING,
 THICKNESS=50 MICROINCH/1.27MICROMETER MINIMUM.
 UNDER PLATE : NICKEL (Ni)
 ,THICKNESS=50 MICROINCH /1.27 MICROMETER
 METAL SHELL :
 (a) TIN-LEAD (Sn-Pb) ALLOY
 ,THICKNESS=100 MICROINCH /2.54 MICROMETER
 (b) PURE TIN PLATING,
 THICKNESS =50 MICROINCH/1.27 MICROMETER MINIMUM.
 UNDER PLATE : NICKEL (Ni)
 ,THICKNESS=50 MICROINCH /1.27 MICROMETER
- RECOMMENDED PCB THICKNESS : 1.60±0.05mm
- PRODUCT SPECIFICATION : REFER TO PS-67998-0000



REVISED EC NO: G DRWN: YPW CHKD: APPR:	DESCRIPTION 2009/09/01	QUALITY SYMBOLS	GENERAL TOLERANCES (UNLESS SPECIFIED)		DIMENSION STYLE MM ONLY		SCALE 1:1	DESIGN UNITS METRIC	THIRD ANGLE PROJECTION		
		▼=0 ∇=0	mm	INCH	DRAWN BY SAM SHIN	DATE 1998/12/21	TITLE USB B VERTICAL CONN				
			4 PLACES ± ---	± ---	CHECKED BY VLIN	DATE 1998/12/21	MOLEX MOLEX INCORPORATED				
			3 PLACES ± ---	± ---	APPROVED BY NEGA LIN	DATE 1998/12/21	DOCUMENT NO. SD-67265-002				
		2 PLACES ± 0.25	± ---	MATERIAL NO. SEE TABLE		SHEET NO. 1 OF 2					
		1 PLACE ± 0.25	± ---	DRAFT WHERE APPLICABLE MUST REMAIN WITHIN DIMENSIONS		THIS DRAWING CONTAINS INFORMATION THAT IS PROPRIETARY TO MOLEX INCORPORATED AND SHOULD NOT BE USED WITHOUT WRITTEN PERMISSION					
				ANGULAR ± 3 °							

REFER TO PACKING DOC. NO. PK-67265-001 PACKING: TRAY SIZE : 360*360mm (150 PIECES)				REFER TO PACKING DOC. NO. PK-67265-001 PACKING: TRAY SIZE : 360*360mm (150 PIECES)			
P/N	COLOR	CONTACT PLATING	SHELL AND SOLDER TAIL PLATING TIN LEAD PLATING	P/N	COLOR	CONTACT PLATING	SHELL AND SOLDER TAIL PLATING PURE TIN PLATING (lead-free)
67265-0000	BLACK	GOLD FLASH		67265-2000	BLACK	GOLD FLASH	
67265-0001	BLACK	0.76 MICROMETER/30 MICROINCH GOLD		67265-2001	BLACK	0.76 MICROMETER/30 MICROINCH GOLD	
67265-1000	WHITE	GOLD FLASH		67265-3000	WHITE	GOLD FLASH	
67265-1001	WHITE	0.76 MICROMETER/30 MICROINCH GOLD		67265-3001	WHITE	0.76 MICROMETER/30 MICROINCH GOLD	
REFER TO PACKING DOC. NO. PK-67265-002 PACKING: TRAY SIZE : 360*165mm (150 PIECES)				REFER TO PACKING DOC. NO. PK-67265-002 PACKING: TRAY SIZE : 360*165mm (150 PIECES)			
P/N	COLOR	CONTACT PLATING		P/N	COLOR	CONTACT PLATING	
67265-0200	BLACK	GOLD FLASH		67265-2200	BLACK	GOLD FLASH	
67265-0201	BLACK	0.76 MICROMETER/30 MICROINCH GOLD		67265-2201	BLACK	0.76 MICROMETER/30 MICROINCH GOLD	
67265-1200	WHITE	GOLD FLASH		67265-3200	WHITE	GOLD FLASH	
67265-1201	WHITE	0.76 MICROMETER/30 MICROINCH GOLD		67265-3201	WHITE	0.76 MICROMETER/30 MICROINCH GOLD	
REFER TO PACKING DOC. NO. PK-67265-003 PACKING: TUBE				REFER TO PACKING DOC. NO. PK-67265-003 PACKING: TUBE			
P/N	COLOR	CONTACT PLATING	P/N	COLOR	CONTACT PLATING		
67265-0300	BLACK	GOLD FLASH	67265-2300	BLACK	GOLD FLASH		
67265-0301	BLACK	0.76 MICROMETER/30 MICROINCH GOLD	67265-2301	BLACK	0.76 MICROMETER/30 MICROINCH GOLD		
67265-1300	WHITE	GOLD FLASH	67265-3300	WHITE	GOLD FLASH		
67265-1301	WHITE	0.76 MICROMETER/30 MICROINCH GOLD	67265-3301	WHITE	0.76 MICROMETER/30 MICROINCH GOLD		

REVISED EC NO: SH2010-0079 DRWN: YPWU CHKD: APPR: RZHANG	2009/09/01 2009/09/02 2009/10/12	QUALITY SYMBOLS =0 =0	GENERAL TOLERANCES (UNLESS SPECIFIED)		DIMENSION STYLE MM ONLY		SCALE 1:1	DESIGN UNITS METRIC	THIRD ANGLE PROJECTION			
				mm	INCH	DRAWN BY SAM SHIN	DATE 1998/12/21	TITLE USB B VERTICAL CONN				
			4 PLACES	± ---	± ---	CHECKED BY VLIN	DATE 1998/12/21					
			3 PLACES	± ---	± ---	APPROVED BY NEGA LIN	DATE 1998/12/21	MOLEX INCORPORATED				
			2 PLACES	± 0.25	± ---	MATERIAL NO.	DOCUMENT NO.					
1 PLACE	± 0.25	± ---	DRAFT WHERE APPLICABLE MUST REMAIN WITHIN DIMENSIONS		SEE TABLE		SD-67265-002		SHEET NO. 2 OF 2			
G		REV	SIZE A3		THIS DRAWING CONTAINS INFORMATION THAT IS PROPRIETARY TO MOLEX INCORPORATED AND SHOULD NOT BE USED WITHOUT WRITTEN PERMISSION							