



Chipsmall Limited consists of a professional team with an average of over 10 year of expertise in the distribution of electronic components. Based in Hongkong, we have already established firm and mutual-benefit business relationships with customers from,Europe,America and south Asia,supplying obsolete and hard-to-find components to meet their specific needs.

With the principle of “Quality Parts,Customers Priority,Honest Operation,and Considerate Service”,our business mainly focus on the distribution of electronic components. Line cards we deal with include Microchip,ALPS,ROHM,Xilinx,Pulse,ON,Everlight and Freescale. Main products comprise IC,Modules,Potentiometer,IC Socket,Relay,Connector.Our parts cover such applications as commercial,industrial, and automotives areas.

We are looking forward to setting up business relationship with you and hope to provide you with the best service and solution. Let us make a better world for our industry!



## Contact us

Tel: +86-755-8981 8866 Fax: +86-755-8427 6832

Email & Skype: info@chipsmall.com Web: www.chipsmall.com

Address: A1208, Overseas Decoration Building, #122 Zhenhua RD., Futian, Shenzhen, China



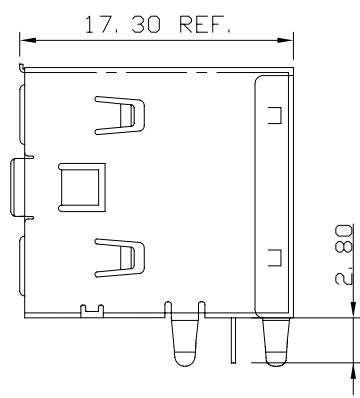
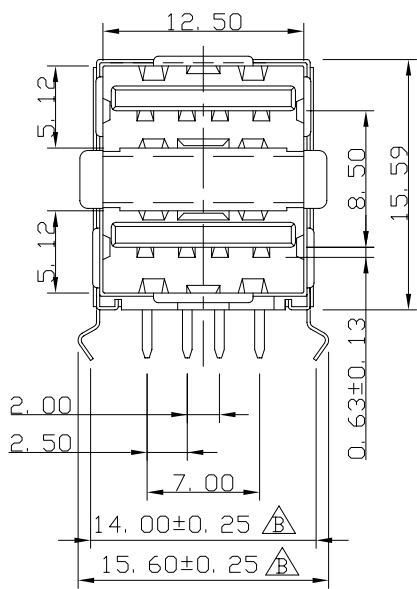
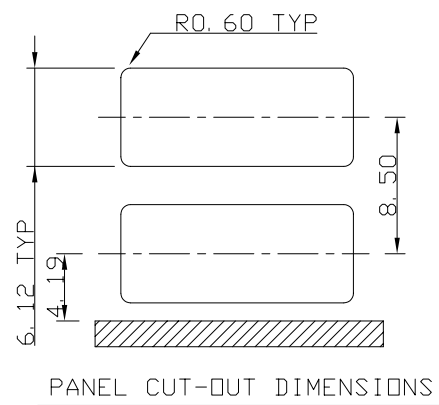
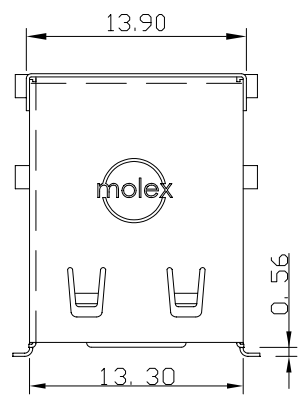
DO NOT SCALE DRAWING

CADFILE NO.

SIMILAR ITEM

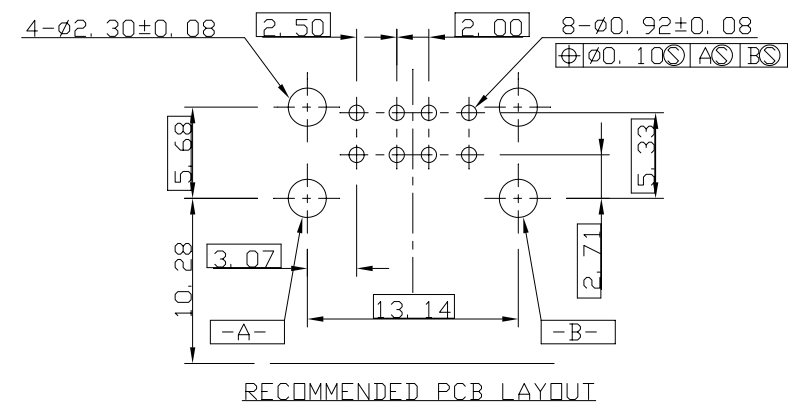
EDP NO.

ENG. NO.



P/N	COLOR	CONTACT PLATING
67298-3000	BLACK	GOLD FLASH
67298-4000	WHITE	GOLD FLASH
67298-3001	BLACK	30u" GOLD
67298-4001	WHITE	30u" GOLD

- NOTE :
- MATERIAL :  
HOUSING : POLYESTER(PBT), 30% GLASS FIBER FILLED, UL94-V0, COLOR: WHITE OR BLACK  
TERMINAL : PHOSPHOR BRONZE  
METAL SHELL : SPCC & SUS
  - PLATING :  
TERMINAL :  
CONTACT AREA : SEE TABLE  
SOLDER TAIL : TIN-LEAD (Sn-Pb) ALLOY, THICKNESS=75 MICROINCH MIN.  
/1.9 MICROMETER MIN.  
UNDER PLATE : NICKEL(Ni), THICKNESS=50 MICREINCH MIN.  
/1.27 MICROMETER MIN.  
METAL SHELL : TIN PLATING, THICKNESS=100 MICROINCH MIN.  
/2.54 MICROMETER MIN.  
UNDER PLATE : NICKEL (Ni), THICKNESS=50 MICROINCH MIN.  
/1.27 MICROMETER MIN.
  - RECOMMENDED PCB THICKNESS : 1.60+/-0.05mm
  - PRODUCT SPECIFICATION : REFER TO PS-67998-0000
  - PACKAGING REFER TO PK-67298-001
  - THE HOUSING MATERIAL IS NOT FOR IR REFLOW PROCESS OR SURFACE MOUNTING COMPATIBLE PROCESS.



ADD PARTS EC NO. T2004-0064 DRWN: IVY LIN CH'K: Sam Shin APPR: Erick Lan  PER EWR 2004-0012 EC NO. T2004-0026 DRWN: LINDA CH'K: Sam Shin APPR: Erick Lan  PER EWR 2003-0017 EC NO. T2003-0144 DRWN: LINDA CH'K: Thompson Wu APPR: Erick Lan	QUALITY SYMBOLS MAJOR = CRITICAL =	GENERAL TOLERANCES: (UNLESS SPECIFIED)		SCALE 2.5:1	DESIGN UNITS <input checked="" type="checkbox"/> MM <input type="checkbox"/> INCH	THIRD ANGLE PROJECTION 	DIMENSIONS: <input type="checkbox"/> mm <input type="checkbox"/> INCH <input checked="" type="checkbox"/> mm ONLY <input type="checkbox"/> mm <input type="checkbox"/> mm ONLY	SHT REV
		4 PLACES \, \, 3 PLACES \, \, 2 PLACES ±0.25 1 PLACE ±0.25	DRAWN BY & DATE Ivy Lin 10/22/03	TITLE: USB DUAL STACKED A CONNECTOR				
		ANGULAR: ±3°	CHECKED BY & DATE APPROVED BY & DATE	MOLEX MOLEX INCORPORATED				
		DRAFT WHERE APPLICABLE MUST REMAIN WITHIN DIMENSIONS	CAD FILENAME S6729803S1.PDF	MATERIAL NO. SEE TABLE	DRAWING NO. SD-67298-003	SHEET NO. 1 OF 1		

THIS DRAWING CONTAINS INFORMATION THAT IS PROPRIETARY TO MOLEX INCORPORATED AND SHOULD NOT BE USED WITHOUT WRITTEN PERMISSION.

SIZE A4

F

E

D

C

B

A