



Chipsmall Limited consists of a professional team with an average of over 10 year of expertise in the distribution of electronic components. Based in Hongkong, we have already established firm and mutual-benefit business relationships with customers from,Europe,America and south Asia,supplying obsolete and hard-to-find components to meet their specific needs.

With the principle of “Quality Parts,Customers Priority,Honest Operation,and Considerate Service”,our business mainly focus on the distribution of electronic components. Line cards we deal with include Microchip,ALPS,ROHM,Xilinx,Pulse,ON,Everlight and Freescale. Main products comprise IC,Modules,Potentiometer,IC Socket,Relay,Connector.Our parts cover such applications as commercial,industrial, and automotives areas.

We are looking forward to setting up business relationship with you and hope to provide you with the best service and solution. Let us make a better world for our industry!



Contact us

Tel: +86-755-8981 8866 Fax: +86-755-8427 6832

Email & Skype: info@chipsmall.com Web: www.chipsmall.com

Address: A1208, Overseas Decoration Building, #122 Zhenhua RD., Futian, Shenzhen, China





Designers' Choice

HOUSINGS & HEADERS

PLUG-IN HOUSINGS

Enhance the appearance and give a professional look to your products using these molded housings. Ideally suited for packaging relays, logic packages, networks and miniature circuitry. Durable, lightweight covers withstand vibrations and rough usage.

HEADERS: Molded of G.P. black phenolic. Fits standard sockets. **PINS:** Brass, Nickel Plated.

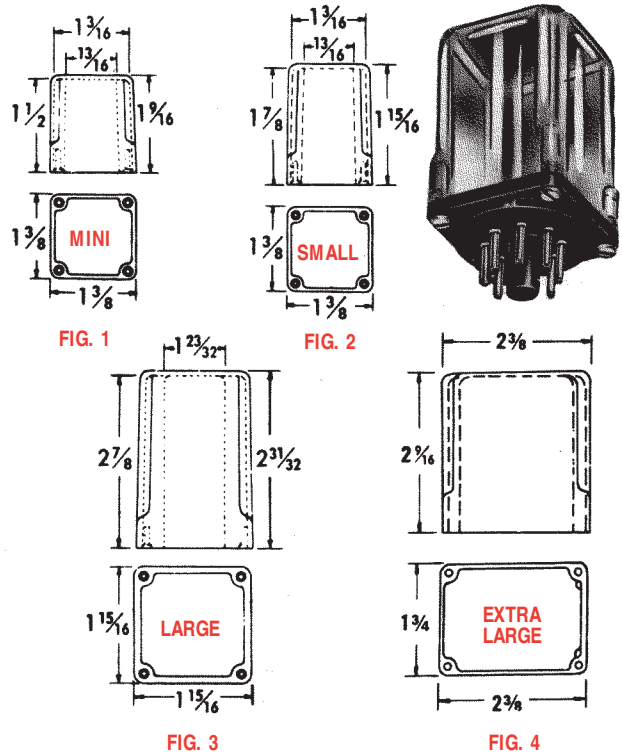
MATERIAL CHARACTERISTICS:

- Variety of molded materials
- Good chemical resistance.

POLYSTYRENE: For general purpose use where high impact strength is not required and temperature would not exceed 170° F.

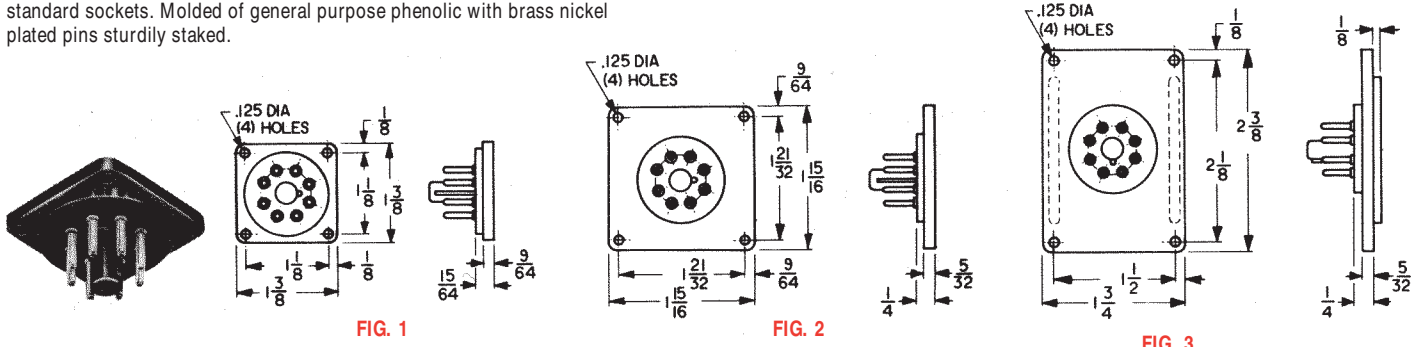
LEXAN: 3 Times the impact strength of Polystyrene. Excellent electrical properties. Use wherever temperatures of 280° F exist

Housing with Octal Header & 4 Screws CAT. NO.	Housing Only CAT. NO.	Fig. No.	Type	Material	Color
660	670	1	Mini	Lexan	Clear
661	671	1	Mini	Lexan	White
662	672	1	Mini	Polystyrene	Clear
641	675	1	Mini	Polystyrene	Opaque Black
663	673	2	Small	Lexan	Clear
664	674	2	Small	Lexan	White
665	676	2	Small	Polystyrene	Clear
643	647	2	Small	Polystyrene	Opaque Black
650	649	3	Large	Lexan	Clear
668	679	3	Large	Polystyrene	Clear
677	666	3	Large	Polystyrene	Opaque Black
639	640	4	Xtra-L'ge	Polystyrene	Clear
710	711	4	Xtra-L'ge	Polystyrene	Opaque Black
712	713	4	Xtra-L'ge	Lexan	Clear




HEADERS FOR THE ABOVE HOUSINGS

HEADERS: Headers are available in a variety of pin configurations that fit standard sockets. Molded of general purpose phenolic with brass nickel plated pins sturdily staked.



1 3/8 Sq. Headers for Mini & Small Housing (Fig. 1 Above) CAT. NO.	Pin Configuration	1 15/16 Sq. Headers for Large Housing (Fig. 2 Above) CAT. NO.	1 3/4 x 2 3/8 Headers for Extra Large Housing (Fig. 3 Above) CAT. NO.
681	Octal	685	690
682	Nine Pin	Not Available	Not Available
683	Eleven Pin	686	714



SELF TAPPING SCREW
CAT. NO. 689-For covers #4x3/8 Lg.