



Chipsmall Limited consists of a professional team with an average of over 10 year of expertise in the distribution of electronic components. Based in Hongkong, we have already established firm and mutual-benefit business relationships with customers from,Europe,America and south Asia,supplying obsolete and hard-to-find components to meet their specific needs.

With the principle of “Quality Parts,Customers Priority,Honest Operation,and Considerate Service”,our business mainly focus on the distribution of electronic components. Line cards we deal with include Microchip,ALPS,ROHM,Xilinx,Pulse,ON,Everlight and Freescale. Main products comprise IC,Modules,Potentiometer,IC Socket,Relay,Connector.Our parts cover such applications as commercial,industrial, and automotives areas.

We are looking forward to setting up business relationship with you and hope to provide you with the best service and solution. Let us make a better world for our industry!



Contact us

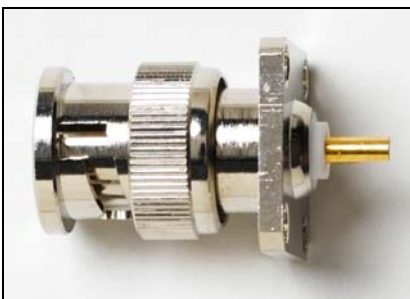
Tel: +86-755-8981 8866 Fax: +86-755-8427 6832

Email & Skype: info@chipsmall.com Web: www.chipsmall.com

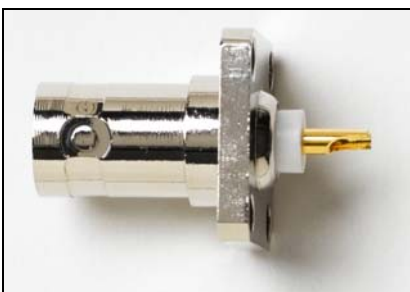
Address: A1208, Overseas Decoration Building, #122 Zhenhua RD., Futian, Shenzhen, China



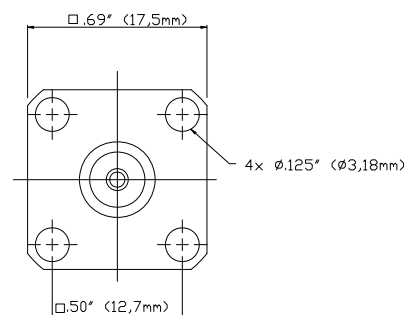
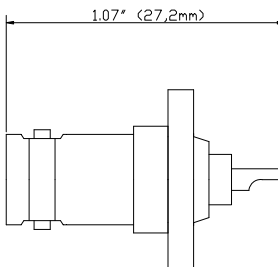
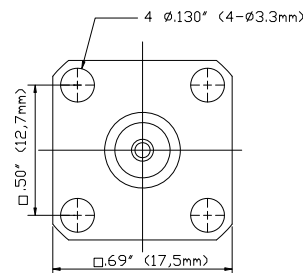
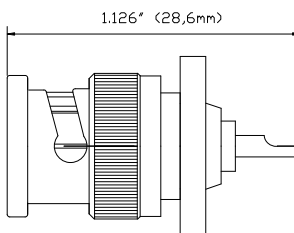
Models 6735, 6736
BNC (M), BNC (F) Panel Mount 75 Ω (0.5" spacing)



Model 6735
BNC (M) Panel Mount, 75 Ω



Model 6736
BNC (F) Panel Mount Receptacle, 75 Ω



Use for your 75 Ω panel mount broadcast applications.

Features

- U-shaped solder cup for easy solder installation
- Precision machined with gold plated contacts
- PTFE (not delrin)

Materials

- Body is machined brass with tarnish resistant nickel plating (not die cast).
- Male center pin contacts are gold plated (20 micro inches) brass. Female center contacts: Gold plated heat treated beryllium copper.
- High quality machined PTFE dielectric.

Ordering Information

Model: 6735, BNC (M) PANEL MOUNT, 75 OHM
Model: 6736, BNC (F) PANEL RECEPTACLE, 75 OHM

Specifications

| | |
|---------------------------|---|
| Nominal Impedance | 75 Ω |
| Voltage | 500 Vrms |
| Frequency | 0-3 GHz |
| VSWR | 1.10 Max. 0-1 GHz 1.35 Max. 1-3 GHz |
| Center Contact Resistance | 1.5 mΩ |
| Insulation Resistance | 5000 MΩ |
| Number of Insertions | 500 |
| Operating Temperature | -85°F to +131°F (-65°C to +155°C) Max. |

USA: Sales: 800-490-2361
Technical Support: technicalsupport@pomonatest.com
Fax: 425-446-5844
Europe: 31-(0) 40 2675 150 **International:** 425-446-5500
Where to Buy: www.pomonaelectronics.com

All dimensions are in inches. Tolerances (except noted): .xx = ±.02" (.51 mm), .xxx = ±.005" (.127 mm). All specifications are to the latest revisions. Specifications are subject to change without notice. Registered trademarks are the property of their respective companies.