



Chipsmall Limited consists of a professional team with an average of over 10 year of expertise in the distribution of electronic components. Based in Hongkong, we have already established firm and mutual-benefit business relationships with customers from,Europe,America and south Asia,supplying obsolete and hard-to-find components to meet their specific needs.

With the principle of "Quality Parts,Customers Priority,Honest Operation,and Considerate Service",our business mainly focus on the distribution of electronic components. Line cards we deal with include Microchip,ALPS,ROHM,Xilinx,Pulse,ON,Everlight and Freescale. Main products comprise IC,Modules,Potentiometer,IC Socket,Relay,Connector.Our parts cover such applications as commercial,industrial, and automotives areas.

We are looking forward to setting up business relationship with you and hope to provide you with the best service and solution. Let us make a better world for our industry!



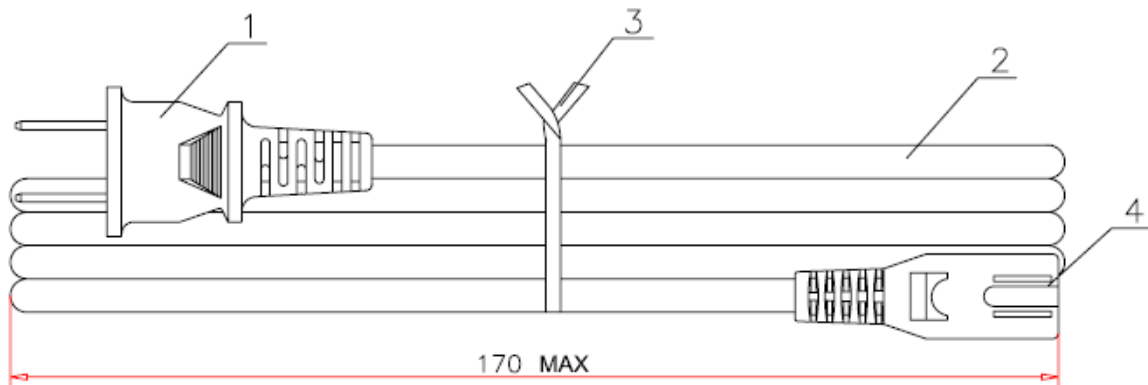
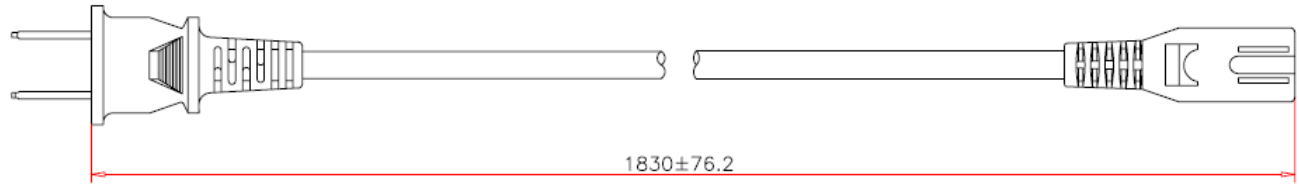
Contact us

Tel: +86-755-8981 8866 Fax: +86-755-8427 6832

Email & Skype: info@chipsmall.com Web: www.chipsmall.com

Address: A1208, Overseas Decoration Building, #122 Zhenhua RD., Futian, Shenzhen, China

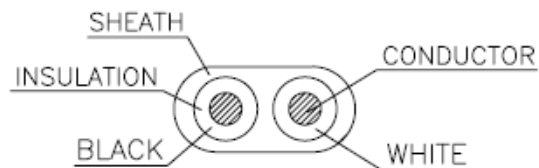




1. PVC MOLDED PLUG: PHP-201 (BLACK)
2. PVC FLEXIBLE CORD: NISPT-2 18AWGX2C 105°C (BLACK)
3. ELLIPTIC TIE (BLACK)
4. PVC MOLDED CONNECT: PHS-205A (BLACK)

NOTE: ALL MATERIALS ARE RoHS COMPLIANCE

CORD SECTION:



CORD MARKING:

(UL) E209524 NISPT-2 VW-1 105°C 2X0.824mm²(18AWG)
CSA 180414 NISPT-2 FT1 105°C 2X0.824mm²(18AWG) 300V

| P/N | DESCRIPTION |
|--------------|---|
| 67400-242-AB | AC Input Cord, Black, 6Ft, 125V 7A, IEC 60320 C7 to Nema 1-5P |