



Chipsmall Limited consists of a professional team with an average of over 10 year of expertise in the distribution of electronic components. Based in Hongkong, we have already established firm and mutual-benefit business relationships with customers from,Europe,America and south Asia,supplying obsolete and hard-to-find components to meet their specific needs.

With the principle of “Quality Parts,Customers Priority,Honest Operation,and Considerate Service”,our business mainly focus on the distribution of electronic components. Line cards we deal with include Microchip,ALPS,ROHM,Xilinx,Pulse,ON,Everlight and Freescale. Main products comprise IC,Modules,Potentiometer,IC Socket,Relay,Connector.Our parts cover such applications as commercial,industrial, and automotives areas.

We are looking forward to setting up business relationship with you and hope to provide you with the best service and solution. Let us make a better world for our industry!



Contact us

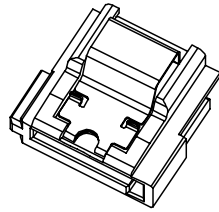
Tel: +86-755-8981 8866 Fax: +86-755-8427 6832

Email & Skype: info@chipsmall.com Web: www.chipsmall.com

Address: A1208, Overseas Decoration Building, #122 Zhenhua RD., Futian, Shenzhen, China



P/N	PLATING TYPE	REMARK
67489-0001	GOLD FLASH	METAL LATCH TYPE ONLY
67489-0002	GOLDPLATED 0.76 MICRONS	
67489-0005	GOLDPLATED 0.38 MICRONS	



NOTES:

1.MATERIAL:

HOUSING: THERMAL PLASTIC, GLASS FILLED, UL94V-0, COLOR: BLACK.
 COVER: THERMAL PLASTIC, COLOR : BLACK.
 TERMINAL: COPPER ALLOY.
 METAL LATCH: STAINLESS STEEL

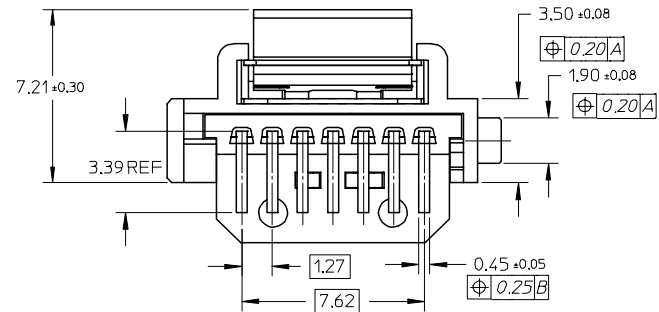
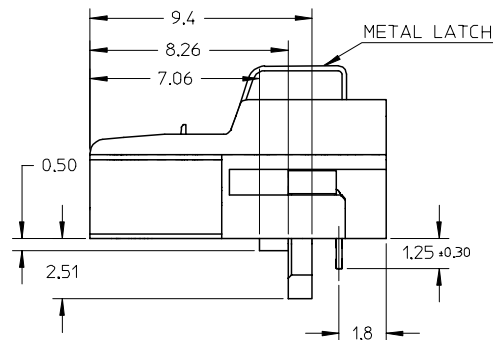
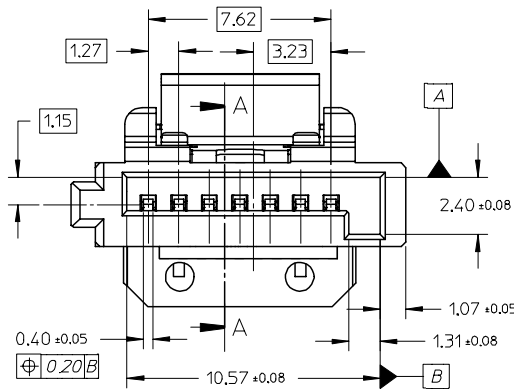
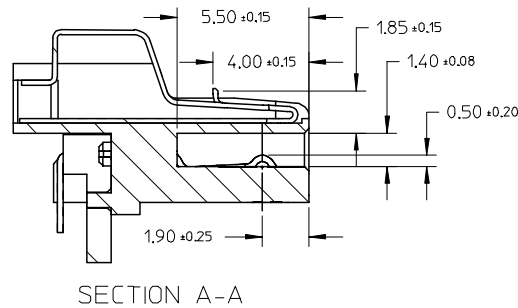
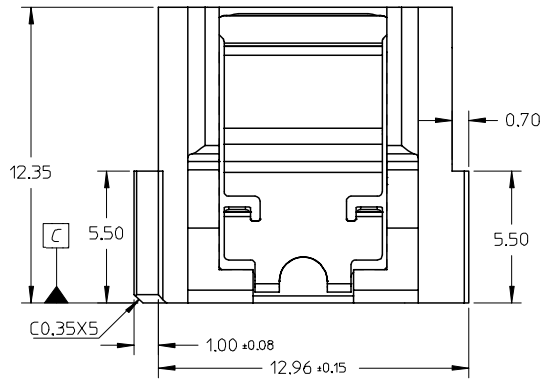
2.TERMINAL PLATING :

CONTACT AREA: GOLD PLATED;
 SOLDER TAIL:TIN, THICKNESS=1.27 MICRNS MINIMUM
 UNDER PLATE:NICKEL, THICKNESS=1.27 MICRONS MINIMUM

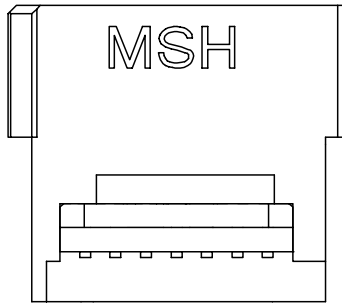
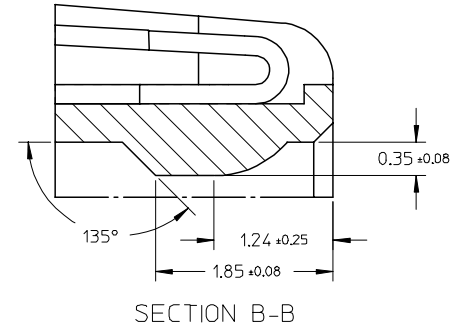
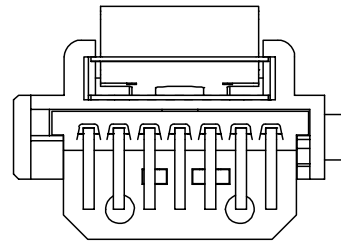
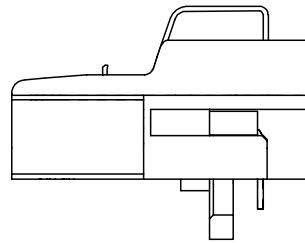
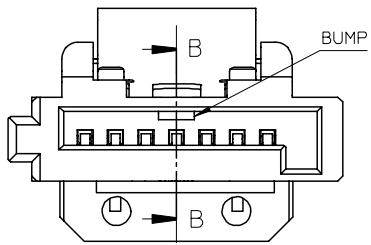
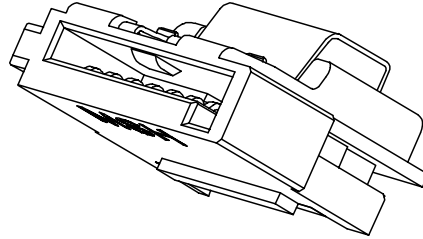
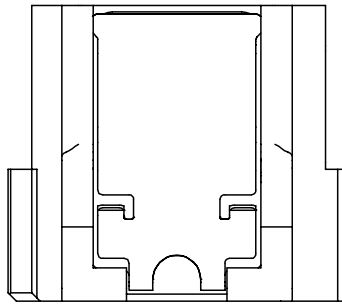
3.PACKAGING : TRAY

4.PRODUCT SPECIFICATION REFER TO PS-67490-00*

5 MATING PART 67800, 47080 SERIES



EC NO: SH2004-0185 DRWN:GRMA 2004/12/28 CHKD:GRATE 2004/12/30 APPR:YTYAP 2004/12/30	QUALITY SYMBOLS ▽ = 0 ▽ = 0	GENERAL TOLERANCES (UNLESS SPECIFIED)		SCALE 5:1	DESIGN UNITS METRIC	THIRD ANGLE PROJECTION	REVISE ON CAD ONLY		
		DIMENSION STYLE MM ONLY	TITLE SERIAL ATA R/A CABLE END CONNECTOR WITH LATCH TYPE		MOLEX INCORPORATED				
		DRAFT WHERE APPLICABLE MUST REMAIN WITHIN DIMENSIONS		DRAWN BY GRATE MA	DATE 2004/03/24	CHECKED BY YAJUN	DATE 2004/03/24	MATERIAL NO. SEE TABLE	DOCUMENT NO. SD-67489-001
				APPROVED BY SAM	DATE 2004/03/24	SHEET NO. 1 OF 2		THIS DRAWING CONTAINS INFORMATION THAT IS PROPRIETARY TO MOLEX INCORPORATED AND SHOULD NOT BE USED WITHOUT WRITTEN PERMISSION	



THIS IS ONLY FOR 67489-200*, OTHER
 INFOMATION IS REFERED TO 67489-000*

P/N	PLATING TYPE	REMARK
67489-2001	GOLD FLASH	BOTH METAL LATCH
67489-2002	GOLD PLATED 0.76 MICRONS	AND BUMP TYPE
67489-2005	GOLD PLATED 0.38 MICRONS	

tb_frame_B
 rev. B1 2000/08/01

EC NO: SH2004-0185 DRWN: GRMA 2004/12/28 CHKD: GRATE 2004/12/30 APPR: YTYAP 2004/12/30	QUALITY SYMBOLS ▽ = 0 ▽ = 0	GENERAL TOLERANCES (UNLESS SPECIFIED)		SCALE 5:1	DESIGN UNITS METRIC	THIRD ANGLE PROJECTION	REVISE ON CAD ONLY	
		4 PLACES ± --- ± --- 3 PLACES ± --- ± --- 2 PLACES ± 0.2 ± --- 1 PLACE ± 0.25 ± ---	DIMENSION STYLE MM ONLY	TITLE SERIAL ATA R/A CABLE END CONNECTOR WITH LATCH TYPE				
		ANGULAR ± 1 °	DRAFT WHERE APPLICABLE	DRAWN BY GRATE MA DATE 2004/03/24	CHECKED BY YAJUN DATE 2004/03/24	MATERIAL NO. SEE CHART	DOCUMENT NO. SD-67489-001	SHEET NO. 2 OF 2
		MUST REMAIN WITHIN DIMENSIONS	THIS DRAWING CONTAINS INFORMATION THAT IS PROPRIETARY TO MOLEX INCORPORATED AND SHOULD NOT BE USED WITHOUT WRITTEN PERMISSION		MOLEX INCORPORATED			