



Chipsmall Limited consists of a professional team with an average of over 10 year of expertise in the distribution of electronic components. Based in Hongkong, we have already established firm and mutual-benefit business relationships with customers from,Europe,America and south Asia,supplying obsolete and hard-to-find components to meet their specific needs.

With the principle of "Quality Parts,Customers Priority,Honest Operation,and Considerate Service",our business mainly focus on the distribution of electronic components. Line cards we deal with include Microchip,ALPS,ROHM,Xilinx,Pulse,ON,Everlight and Freescale. Main products comprise IC,Modules,Potentiometer,IC Socket,Relay,Connector.Our parts cover such applications as commercial,industrial, and automotives areas.

We are looking forward to setting up business relationship with you and hope to provide you with the best service and solution. Let us make a better world for our industry!



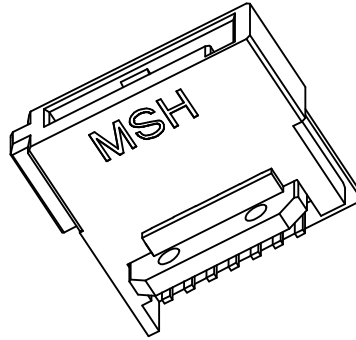
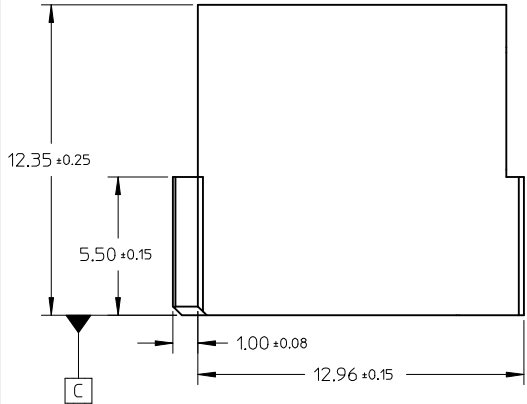
Contact us

Tel: +86-755-8981 8866 Fax: +86-755-8427 6832

Email & Skype: info@chipsmall.com Web: www.chipsmall.com

Address: A1208, Overseas Decoration Building, #122 Zhenhua RD., Futian, Shenzhen, China





NOTES:

1.MATERIAL:

HOUSING: THERMAL PLASTIC, GLASS FILLED, UL94V-0, COLOR: BLACK;
 COVER: THERMAL PLASTIC, COLOR: BLACK;
 TERMINAL: COPPER ALLOY.

2.TERMINAL:

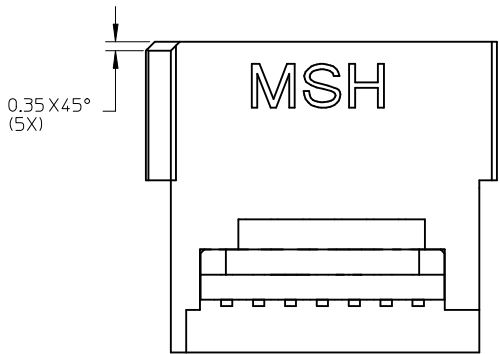
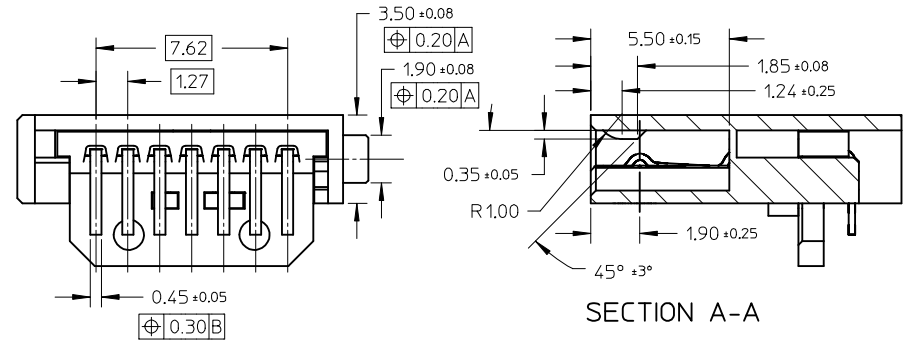
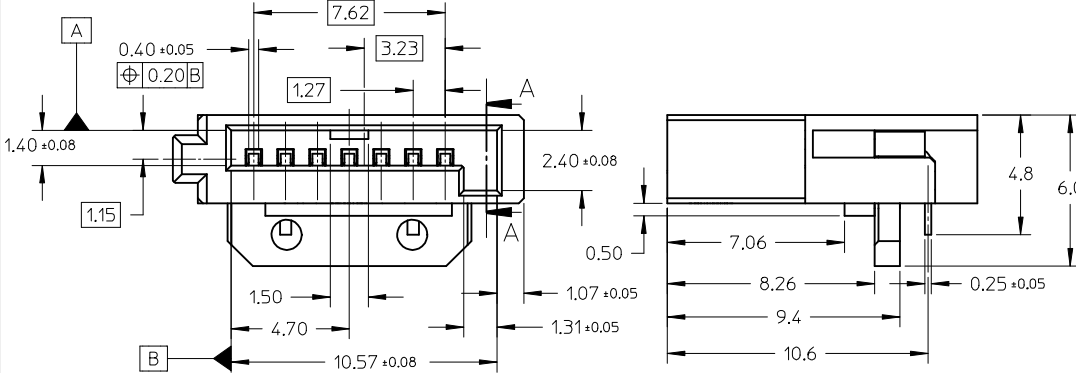
CONTACT AREA: GOLD PLATED;
 SOLDER TAIL: TIN, THICKNESS=1.27 MICRONS MINIMUM;
 UNDER PLATE: NICKEL, THICKNESS=1.27 MICRONS MINIMUM.

3.PACKAGING: TRAY. REFER TO PK-67489-001.

4.PRODUCT SPECIFICATION REFER TO PS-67490-00*.

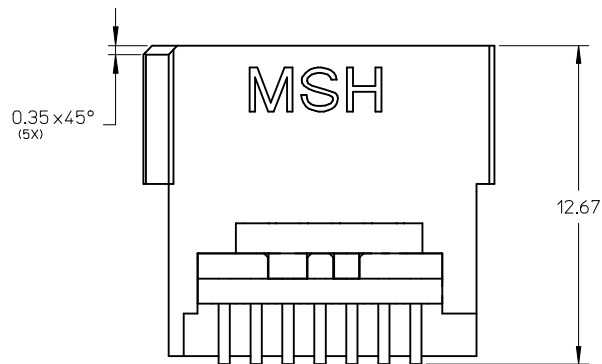
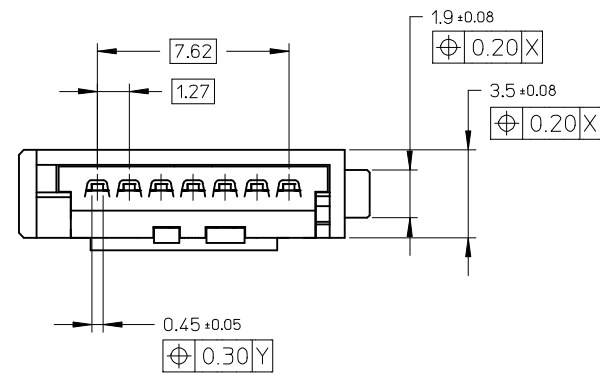
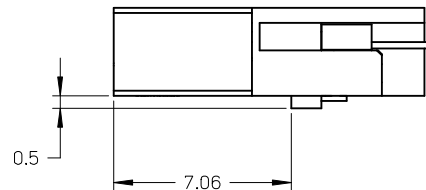
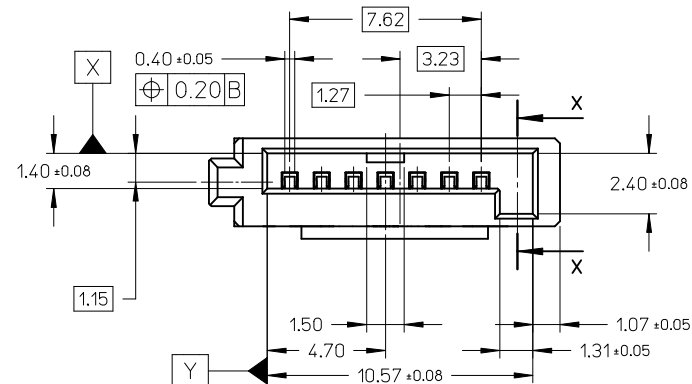
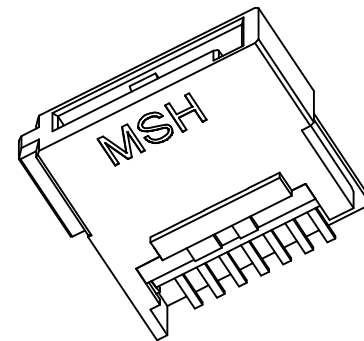
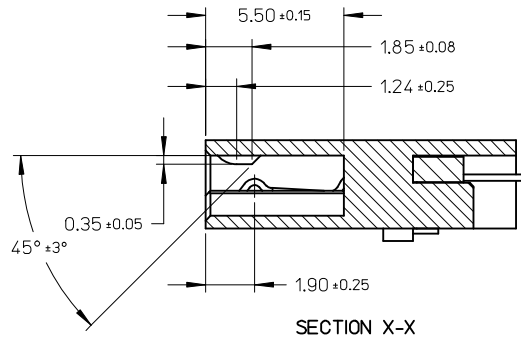
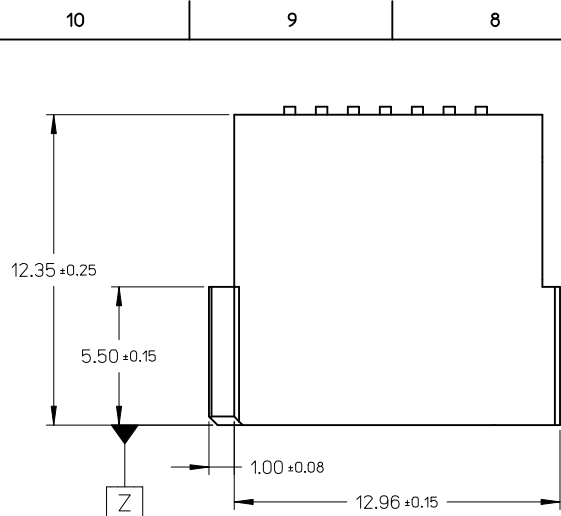
5.MATING PART 67490,67491,67811,47080 SERIES.

6.PRODUCT COMPLIANT TO RoHS DIRECTIVE 2002/95/EC AND ELV DIRECTIVE 2000/53/EC.



P/N	COMMENTS
67489-1001	GOLD FLASH
67489-1002	GOLD PLATED 0.76 MICRONS
67489-1005	GOLD PLATED 0.38 MICRONS
67489-1081	GOLD FLASH & HF
67489-1082	GOLD PLATED 0.76 MICRONS & HF
67489-1085	GOLD PLATED 0.38 MICRONS & HF

REVISED EC NO: SH2011-0353 DRWN: XJSONG CHKD: CHYD APPR: RZHANG 2011/05/25 2011/05/26	QUALITY SYMBOLS $F_A=0$ $F_G=0$ $F_P=0$	GENERAL TOLERANCES (UNLESS SPECIFIED)		DIMENSION STYLE MM ONLY		SCALE 1:1	DESIGN UNITS METRIC	THIRD ANGLE PROJECTION	
			mm	INCH	DRAWN BY	DATE	TITLE		
		4 PLACES	± ---	± ---	GRATE MA	2004/03/25	SERIAL ATA RECEPTACLE		
		3 PLACES	± ---	± ---	CHECKED BY	DATE	SIGNAL CABLE CONNECTOR		
	2 PLACES	± 0.2	± ---	YA JUN	2004/03/25	WITHOUT METAL LATCH			
	1 PLACE	± 0.3	± ---	APPROVED BY	DATE	MOLEX INCORPORATED			
		ANGULAR ± 1 °		SAM	2004/03/25	MOLEX INCORPORATED			
		DRAFT WHERE APPLICABLE MUST REMAIN WITHIN DIMENSIONS		MATERIAL NO. SEE TABLE		DOCUMENT NO. SD-67489-003		SHEET NO. 1 OF 2	
		THIS DRAWING CONTAINS INFORMATION THAT IS PROPRIETARY TO MOLEX INCORPORATED AND SHOULD NOT BE USED WITHOUT WRITTEN PERMISSION							



THESE ARE ONLY FOR 67489-80**

P/N	PLATING TYPE	REMARK
67489-8001	GOLD FLASH	
67489-8002	GOLD PLATED 0.76 MICRONS	WITH HALOGEN
67489-8005	GOLD PLATED 0.38 MICRONS	
67489-8081	GOLD FLASH	
67489-8082	GOLD PLATED 0.76 MICRONS	HALOGEN FREE
67489-8085	GOLD PLATED 0.38 MICRONS	

SEE SHEET1 EC NO: SH2011-0353 DRWN: XJ.SONG CHKD: APPR: R.ZHANG REV	QUALITY SYMBOLS $F_A=0$ $F_C=0$ $F_P=0$	GENERAL TOLERANCES (UNLESS SPECIFIED) <table border="1"> <thead> <tr> <th></th> <th>mm</th> <th>INCH</th> </tr> </thead> <tbody> <tr> <td>4 PLACES</td> <td>± ---</td> <td>± ---</td> </tr> <tr> <td>3 PLACES</td> <td>± ---</td> <td>± ---</td> </tr> <tr> <td>2 PLACES</td> <td>± 0.2</td> <td>± ---</td> </tr> <tr> <td>1 PLACE</td> <td>± 0.3</td> <td>± ---</td> </tr> </tbody> </table>		mm	INCH	4 PLACES	± ---	± ---	3 PLACES	± ---	± ---	2 PLACES	± 0.2	± ---	1 PLACE	± 0.3	± ---	DIMENSION STYLE MM ONLY	SCALE 1:1	DESIGN UNITS METRIC	THIRD ANGLE PROJECTION
		mm	INCH																		
	4 PLACES	± ---	± ---																		
	3 PLACES	± ---	± ---																		
2 PLACES	± 0.2	± ---																			
1 PLACE	± 0.3	± ---																			
DRAWN BY GRATE MA CHECKED BY YA JUN APPROVED BY SAM MATERIAL NO.	DATE 2004/03/25 DATE 2004/03/25 DATE 2004/03/25	TITLE SERIAL ATA RECEPTACLE SIGNAL CABLE CONNECTOR WITHOUT METAL LATCH		MOLEX INCORPORATED		SHEET NO. 2 OF 2															
DRAFT WHERE APPLICABLE MUST REMAIN WITHIN DIMENSIONS		SEE TABLE		DOCUMENT NO. SD-67489-003		THIS DRAWING CONTAINS INFORMATION THAT IS PROPRIETARY TO MOLEX INCORPORATED AND SHOULD NOT BE USED WITHOUT WRITTEN PERMISSION															