



Chipsmall Limited consists of a professional team with an average of over 10 year of expertise in the distribution of electronic components. Based in Hongkong, we have already established firm and mutual-benefit business relationships with customers from,Europe,America and south Asia,supplying obsolete and hard-to-find components to meet their specific needs.

With the principle of “Quality Parts,Customers Priority,Honest Operation,and Considerate Service”,our business mainly focus on the distribution of electronic components. Line cards we deal with include Microchip,ALPS,ROHM,Xilinx,Pulse,ON,Everlight and Freescale. Main products comprise IC,Modules,Potentiometer,IC Socket,Relay,Connector.Our parts cover such applications as commercial,industrial, and automotives areas.

We are looking forward to setting up business relationship with you and hope to provide you with the best service and solution. Let us make a better world for our industry!



Contact us

Tel: +86-755-8981 8866 Fax: +86-755-8427 6832

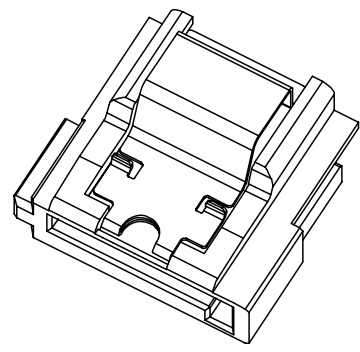
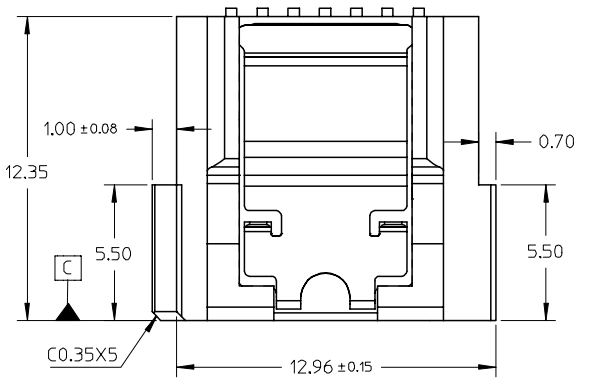
Email & Skype: info@chipsmall.com Web: www.chipsmall.com

Address: A1208, Overseas Decoration Building, #122 Zhenhua RD., Futian, Shenzhen, China

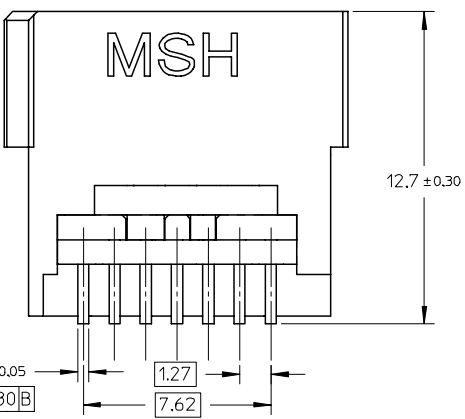
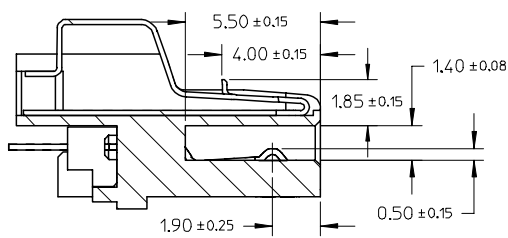
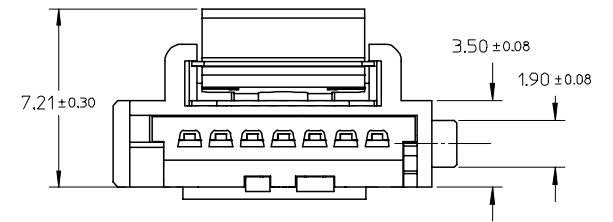
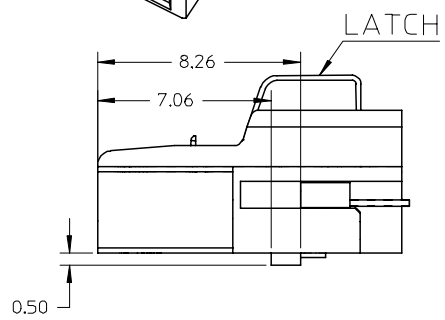
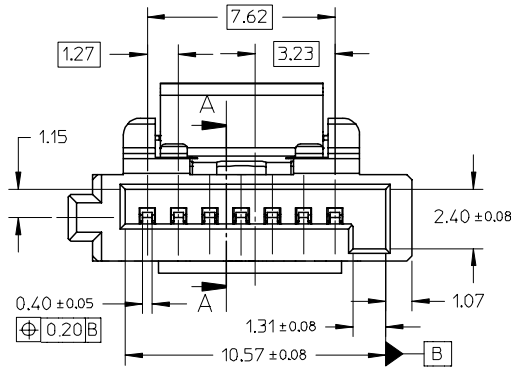


10 9 8 7 6 5 4 3 2 1

F
E
D
C
B
A



- NOTES:
- MATERIAL:
 - HOUSING: THERMAL PLASTIC, GLASS FILLED, UL94V-0, COLOR: BLACK
 - COVER: THERMAL PLASTIC, UL94V-0, COLOR: BLACK
 - TERMINAL: COPPER ALLOY
 - METAL LATCH: STAINLESS STEEL, THICKNESS=0.20MM
 - TERMINAL PLATING:
 - CONTACT AREA: GOLD PLATED
 - SOLDER TAIL: TIN, THICKNESS=1.27 MICRONS MINIMUM
 - UNDER PLATE: NICKEL, THICKNESS=1.27 MICRONS MINIMUM
 - PACKAGING: TRAY
 - PRODUCT SPECIFICATION REFER TO PS-67490-00*
 - MATING PART 67800, 47080 SERIES



P/N	PLATING TYPE	REMARK
67489-9001	GOLD FLASH	METAL LATCH
67489-9002	GOLD PLATED 0.76 MICRONS	NONE BUMP
67489-9005	GOLD PLATED 0.38 MICRONS	TYPE ONLY

ADD PART NUMBER EC NO: SH2007-0333 DRWN: BCHENZ6 CHKD: JTIAN APPR: JNCHEN	QUALITY SYMBOLS ▽=0 ▽=0	GENERAL TOLERANCES (UNLESS SPECIFIED)		DIMENSION STYLE MM ONLY		SCALE 5:1	DESIGN UNITS METRIC	THIRD ANGLE PROJECTION		
		4 PLACES ± --- ± ---	3 PLACES ± --- ± ---	2 PLACES ± 0.2 ± ---	1 PLACE ± 0.25 ± ---	ANGULAR ± 1 °	DRAWN BY GRATE MA	DATE 2004/03/25	CHECKED BY YA JUN	DATE 2004/03/25
		DRAFT WHERE APPLICABLE MUST REMAIN WITHIN DIMENSIONS			SEE TABLE		MATERIAL NO. SAM		DOCUMENT NO. SD-67489-002	SHEET NO. 1 OF 3
		SERIAL ATA RECEPTACLE CABLE END CONNECTOR STRAIGHT TYPE								

9 8 7 6 5 4 3 2 1

10 9 8 7 6 5 4 3 2 1

F

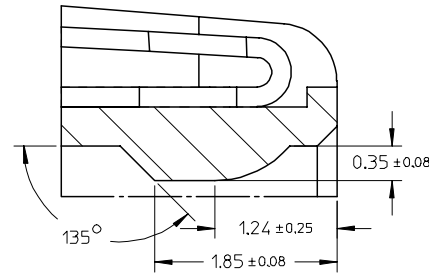
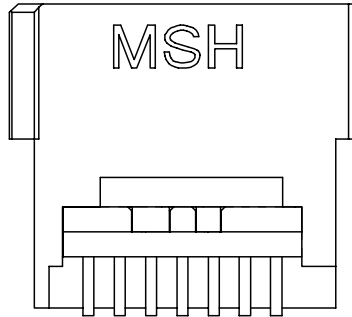
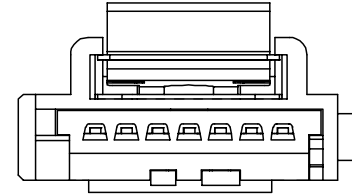
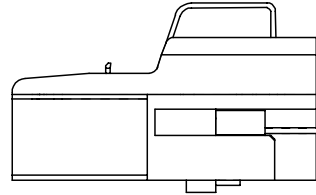
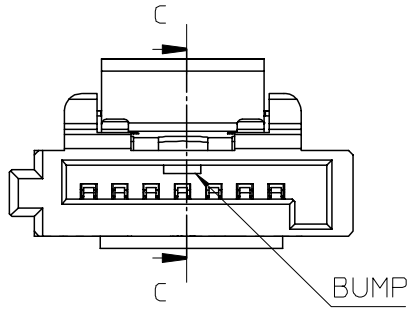
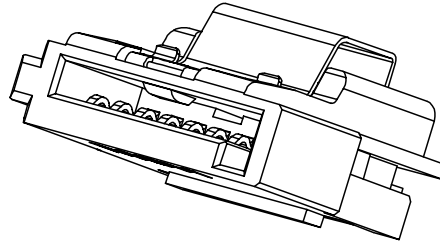
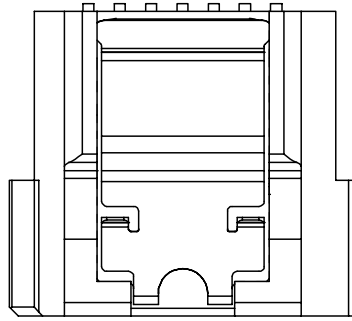
E

D

C

B

A



SECTION C-C

P/N	PLATING TYPE	REMARK
67489-7001	GOLD FLASH	BOTH METAL LATCH
67489-7002	GOLD PLATED 0.76 MICRONS	AND BUMP TYPE
67489-7005	GOLD PLATED 0.38 MICRONS	

ADD PART NUMBER EC NO: SH2007-0333 DRWN: BCHENZ6 2006/11/09 CHKD: JTIAN 2006/11/10 APPR: JNCHEN 2006/11/16	QUALITY SYMBOLS
	▽=0 ▽=0
	DESCRIPTION
	REV

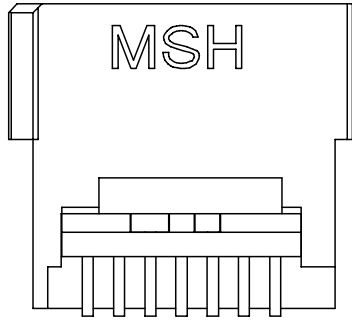
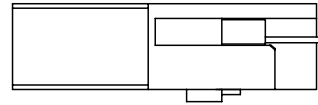
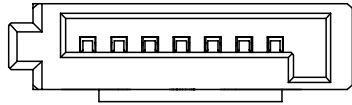
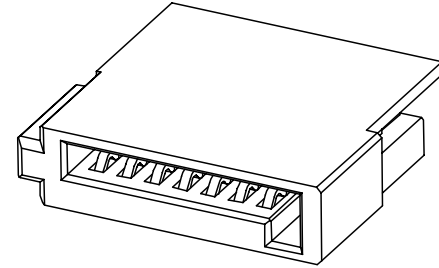
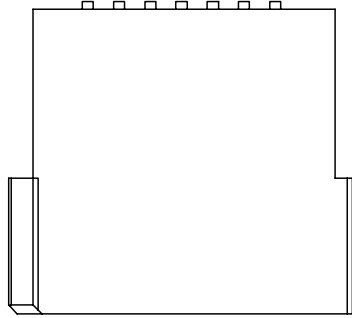
GENERAL TOLERANCES (UNLESS SPECIFIED) DRAFT WHERE APPLICABLE MUST REMAIN WITHIN DIMENSIONS	DIMENSION STYLE MM ONLY	
	4 PLACES ± --- 3 PLACES ± --- 2 PLACES ± 0.2 1 PLACE ± 0.25	± --- ± --- ± --- ± ---
	ANGULAR ± 1 °	
	SEE TABLE	

DRAWN BY GRATE MA	DATE 2004/03/25
CHECKED BY YA JUN	DATE 2004/03/25
APPROVED BY SAM	DATE 2004/03/25
MATERIAL NO.	

SCALE 5:1	DESIGN UNITS METRIC	THIRD ANGLE PROJECTION
TITLE SERIAL ATA RECEPTACLE CABLE END CONNECTOR STRAIGHT TYPE		
MOLEX INCORPORATED		
DOCUMENT NO. SD-67489-002	SHEET NO. 2 OF 3	

9 8 7 6 5 4 3 2 1

10 9 8 7 6 5 4 3 2 1



DIMENSION REFER TO 67489-9*

P/N	PLATING TYPE	REMARK
67489-6001	GOLD FLASH	WITHOUT METAL LATCH
67489-6002	GOLD PLATED 0.76 MICRONS	AND BUMP TYPE
67489-6005	GOLD PLATED 0.38 MICRONS	



ADD PART NUMBER EC NO: SH2007-0333 DRWN: BCHENZ6 CHKD: JTIAN APPR: JNCHEN	2006/11/09 2006/11/10 2006/11/16	DESCRIPTION
	QUALITY SYMBOLS ▽=0 ◻=0	REV
	GENERAL TOLERANCES (UNLESS SPECIFIED)	DIMENSION STYLE
	DRAFT WHERE APPLICABLE MUST REMAIN WITHIN DIMENSIONS	SCALE

GENERAL TOLERANCES (UNLESS SPECIFIED)		DIMENSION STYLE	
		MM ONLY	
	mm	mm	INCH
4 PLACES	± ---	± ---	± ---
3 PLACES	± ---	± ---	± ---
2 PLACES	± 0.2	± ---	± ---
1 PLACE	± 0.25	± ---	± ---
ANGULAR		± 1 °	

DRAWN BY	DATE	TITLE
GRATE MA	2004/03/25	SERIAL ATA RECEPTACLE CABLE END CONNECTOR STRAIGHT TYPE
CHECKED BY	DATE	
YA JUN	2004/03/25	MOLEX INCORPORATED
APPROVED BY	DATE	
SAM	2004/03/25	
MATERIAL NO.	DOCUMENT NO.	SHEET NO.
SEE TABLE	SD-67489-002	3 OF 3

SCALE	DESIGN UNITS	THIRD ANGLE PROJECTION
5:1	METRIC	
THIS DRAWING CONTAINS INFORMATION THAT IS PROPRIETARY TO MOLEX INCORPORATED AND SHOULD NOT BE USED WITHOUT WRITTEN PERMISSION		

9 8 7 6 5 4 3 2 1