



Chipsmall Limited consists of a professional team with an average of over 10 year of expertise in the distribution of electronic components. Based in Hongkong, we have already established firm and mutual-benefit business relationships with customers from,Europe,America and south Asia,supplying obsolete and hard-to-find components to meet their specific needs.

With the principle of “Quality Parts,Customers Priority,Honest Operation,and Considerate Service”,our business mainly focus on the distribution of electronic components. Line cards we deal with include Microchip,ALPS,ROHM,Xilinx,Pulse,ON,Everlight and Freescale. Main products comprise IC,Modules,Potentiometer,IC Socket,Relay,Connector.Our parts cover such applications as commercial,industrial, and automotives areas.

We are looking forward to setting up business relationship with you and hope to provide you with the best service and solution. Let us make a better world for our industry!



Contact us

Tel: +86-755-8981 8866 Fax: +86-755-8427 6832

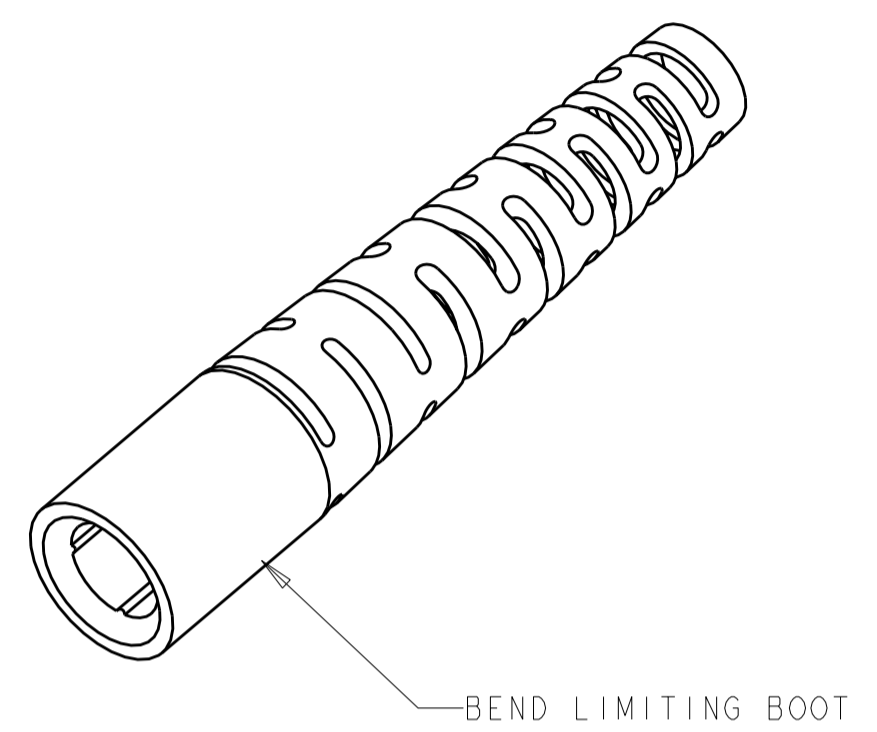
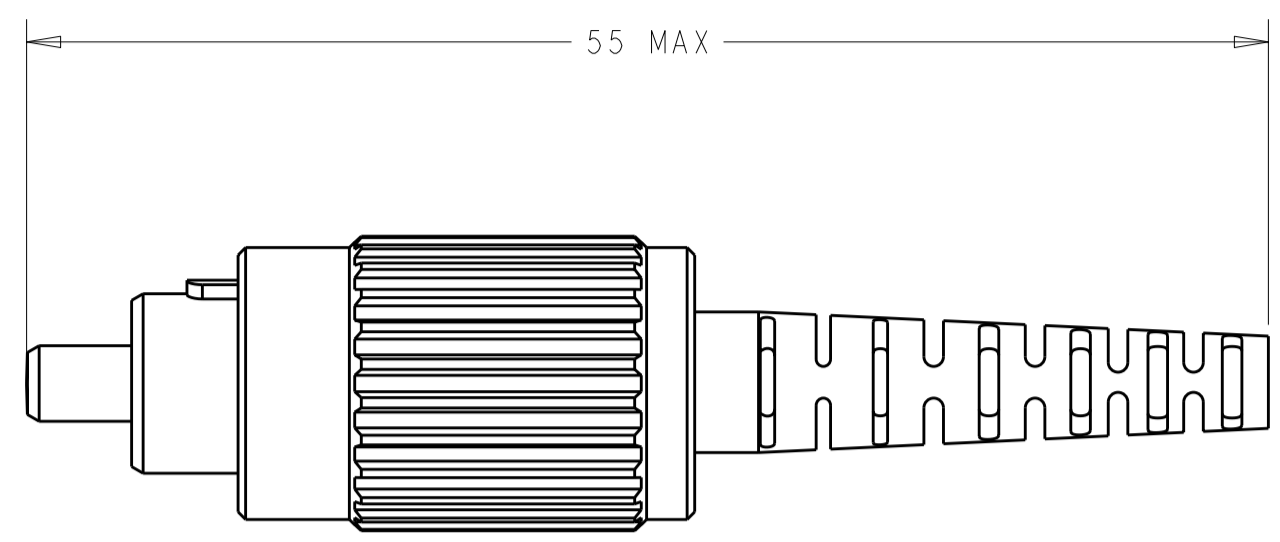
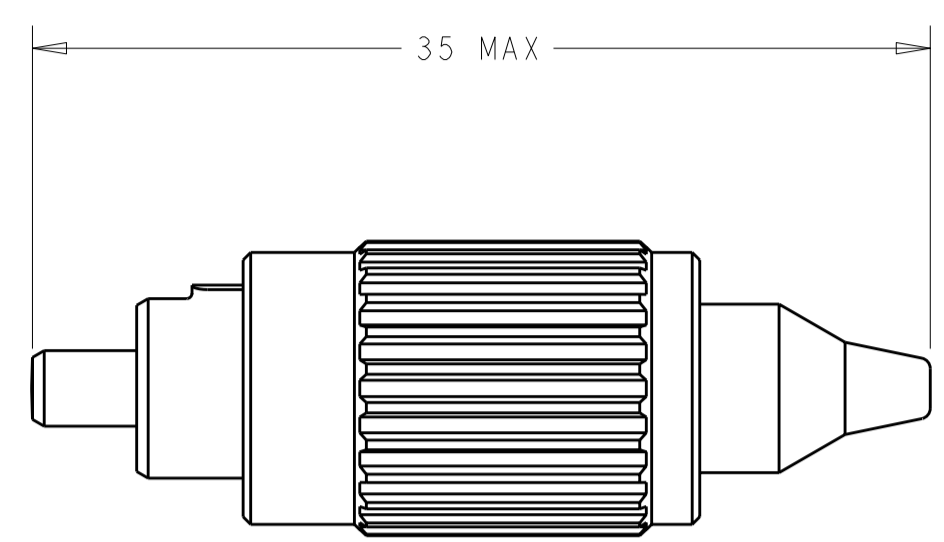
Email & Skype: info@chipsmall.com Web: www.chipsmall.com

Address: A1208, Overseas Decoration Building, #122 Zhenhua RD., Futian, Shenzhen, China



THIS DRAWING IS UNPUBLISHED. RELEASED FOR PUBLICATION 20
 © COPYRIGHT 20 BY TYCO ELECTRONICS CORPORATION. ALL RIGHTS RESERVED.

| LOC | DIST | REVISIONS | | | |
|-----|------|-------------|-----------------------|-----------|-------|
| P | LTR | DESCRIPTION | DATE | DWN | APVD |
| CE | 00 | A | RELEASE ECR-08-023822 | 30SEP2008 | BB SM |
| | | AI | ADD NOTE 4 | 16MAR2009 | BB SB |

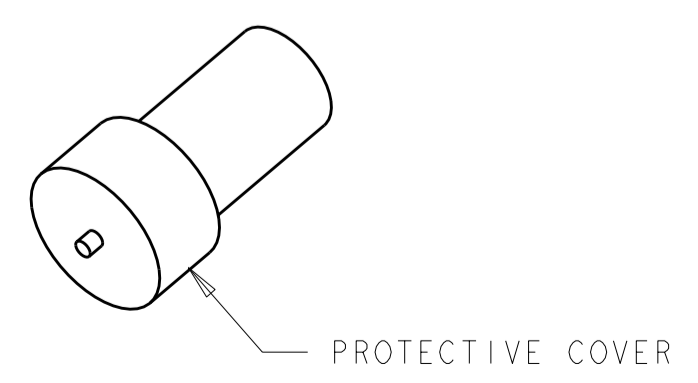
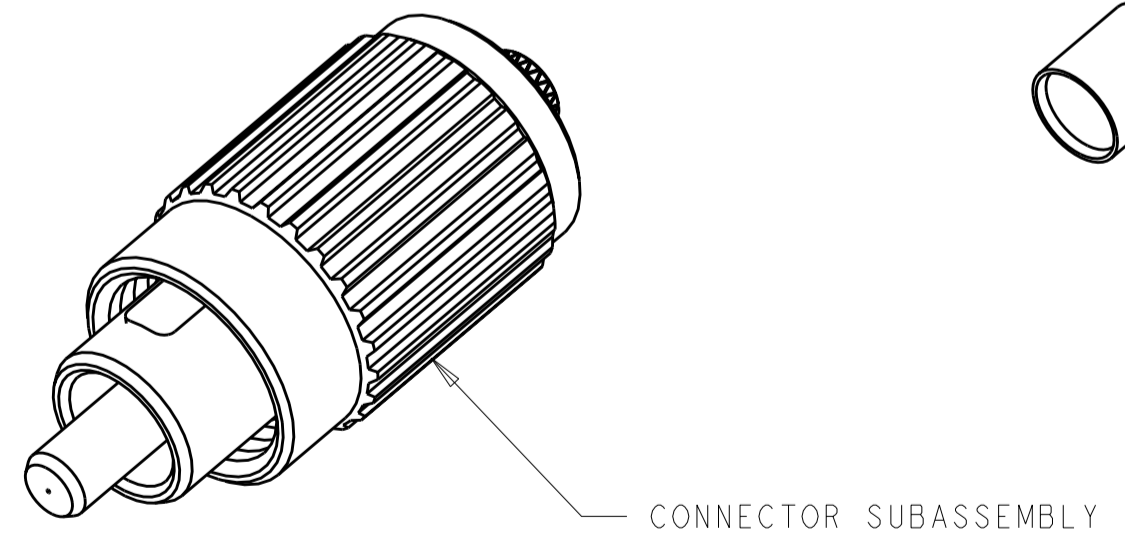
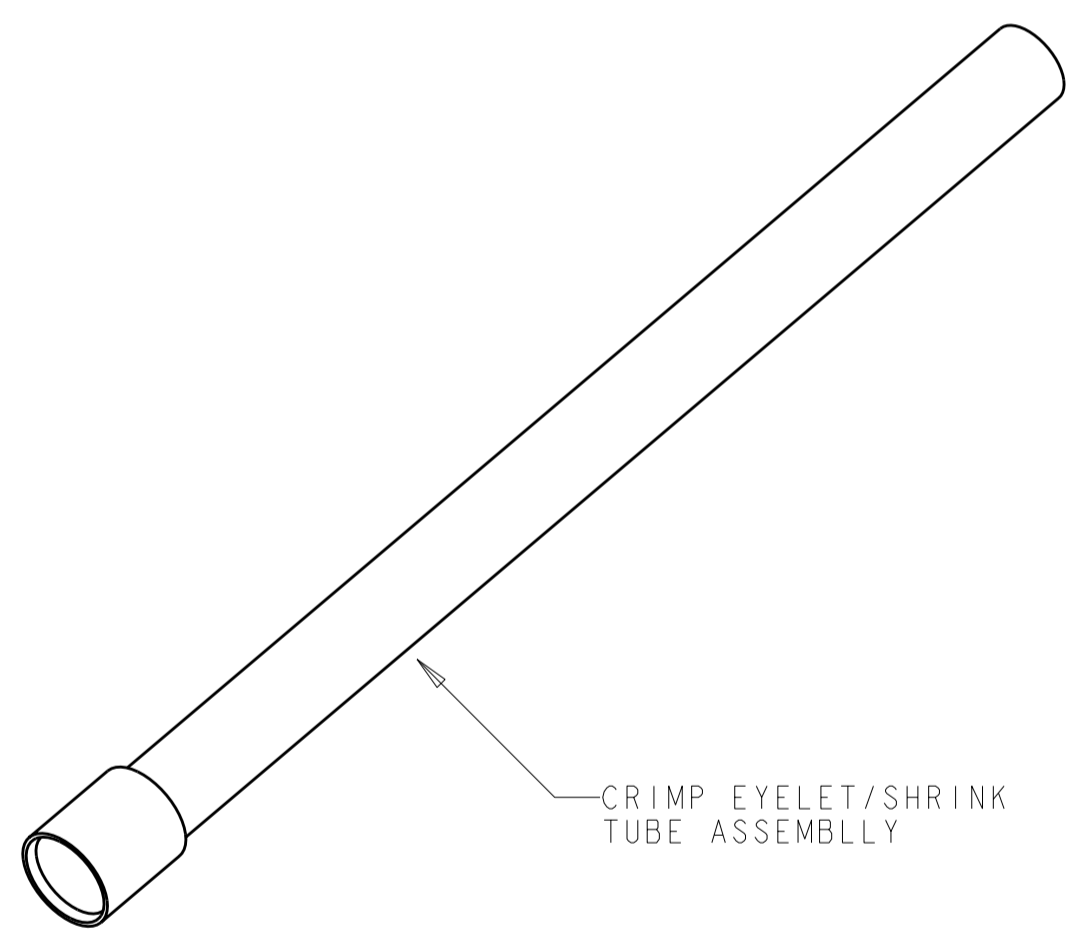
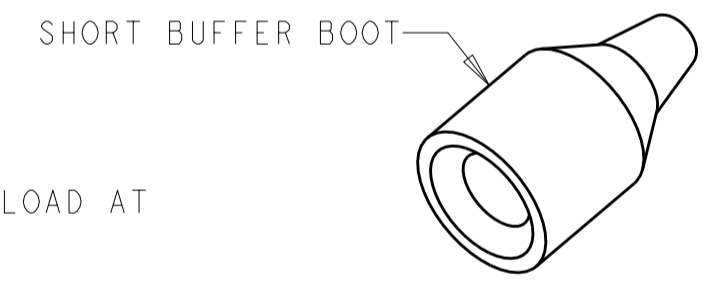


1 MATERIAL:
 PROTECTIVE COVER: LDPE, COLOR: BLACK, NON-FR
 CONNECTOR SUBASSEMBLY:
 COUPLING NUT: ELECTOLESS NICKEL PLATED BRASS
 PLUG BODY: PPS-GF40, COLOR: BEIGE.*
 RETAINER BODY: ALUMINUM, CLEAR ANODIZE.
 SPRING: STAINLESS STEEL
 FERRULE ASSEMBLY: CERAMIC/PBT-GF17.*
 EPOXY FILL TUBING: PTFE, COLOR: CLEAR, UL VW-1 RATED
 BUFFER BOOT: TPE, COLOR: BLUE.*
 CRIMP EYELET/SHRINK TUBE ASSEMBLY: ALUMINUM/POLYOLEFIN,
 COLOR: YELLOW/BLACK (2.4mm) , UL VW-1 RATED.
 BEND LIMITED BOOT: PP, COLOR: BLUE.*
 *UL94 V-0 RATED AT QUALIFYING THICKNESS.

2 TO BE USED WITH 900um BUFFERED FIBER.

3 BULK PACKAGE.

4. INSTRUCTION SHEET: 408-8674 AVAILABLE FOR DOWNLOAD AT
www.tycoelectronics.com/documents OR
www.ampnetconnect.com/foguide.



| | | |
|---|--------------|-------------|
| | NONE | 6754264-8 |
| 3 | 1.6-2.0mm | 6754264-7 |
| 3 | 2.4mm | 6754264-6 |
| | 2.4mm | 6754264-5 |
| | 1.6-2.0mm | 6754264-4 |
| 2 | SHORT BUFFER | 6754264-2 |
| | BOOT | PART NUMBER |

| | | | | |
|--|--|-----------------------------------|--|-----------------------|
| THIS DRAWING IS A CONTROLLED DOCUMENT FOR TYCO ELECTRONICS CORPORATION IT IS SUBJECT TO CHANGE AND THE CONTROLLING ENGINEERING ORGANIZATION SHOULD BE CONTACTED FOR THE LATEST REVISION. | | DWN B. BRIGGS 15 JUL 2005 | Tyco Electronics Harrisburg, PA 17105-3608 | |
| DIMENSIONS: mm | | CHK S. MILLER 15 JUL 2005 | NAME | |
| TOLERANCES UNLESS OTHERWISE SPECIFIED: 0 PLC ± 1 PLC ± 2 PLC ± 3 PLC ± 4 PLC ± ANGLES ± FINISH | | APVD S. BUCHTER 15 JUL 2005 | CONNECTOR KIT, SINGLEMODE, FC, 900um, 1.6-2.4mm | |
| MATERIAL | | PRODUCT SPEC - | SIZE A2 | RESTRICTED TO - |
| | | APPLICATION SPEC - | CAGE CODE 00779 | DRAWING NO 6754264 |
| | | WEIGHT - | SCALE NTS | SHEET 1 |
| | | CUSTOMER DRAWING | REV AI | |