



Chipsmall Limited consists of a professional team with an average of over 10 year of expertise in the distribution of electronic components. Based in Hongkong, we have already established firm and mutual-benefit business relationships with customers from,Europe,America and south Asia,supplying obsolete and hard-to-find components to meet their specific needs.

With the principle of “Quality Parts,Customers Priority,Honest Operation,and Considerate Service”,our business mainly focus on the distribution of electronic components. Line cards we deal with include Microchip,ALPS,ROHM,Xilinx,Pulse,ON,Everlight and Freescale. Main products comprise IC,Modules,Potentiometer,IC Socket,Relay,Connector.Our parts cover such applications as commercial,industrial, and automotives areas.

We are looking forward to setting up business relationship with you and hope to provide you with the best service and solution. Let us make a better world for our industry!



Contact us

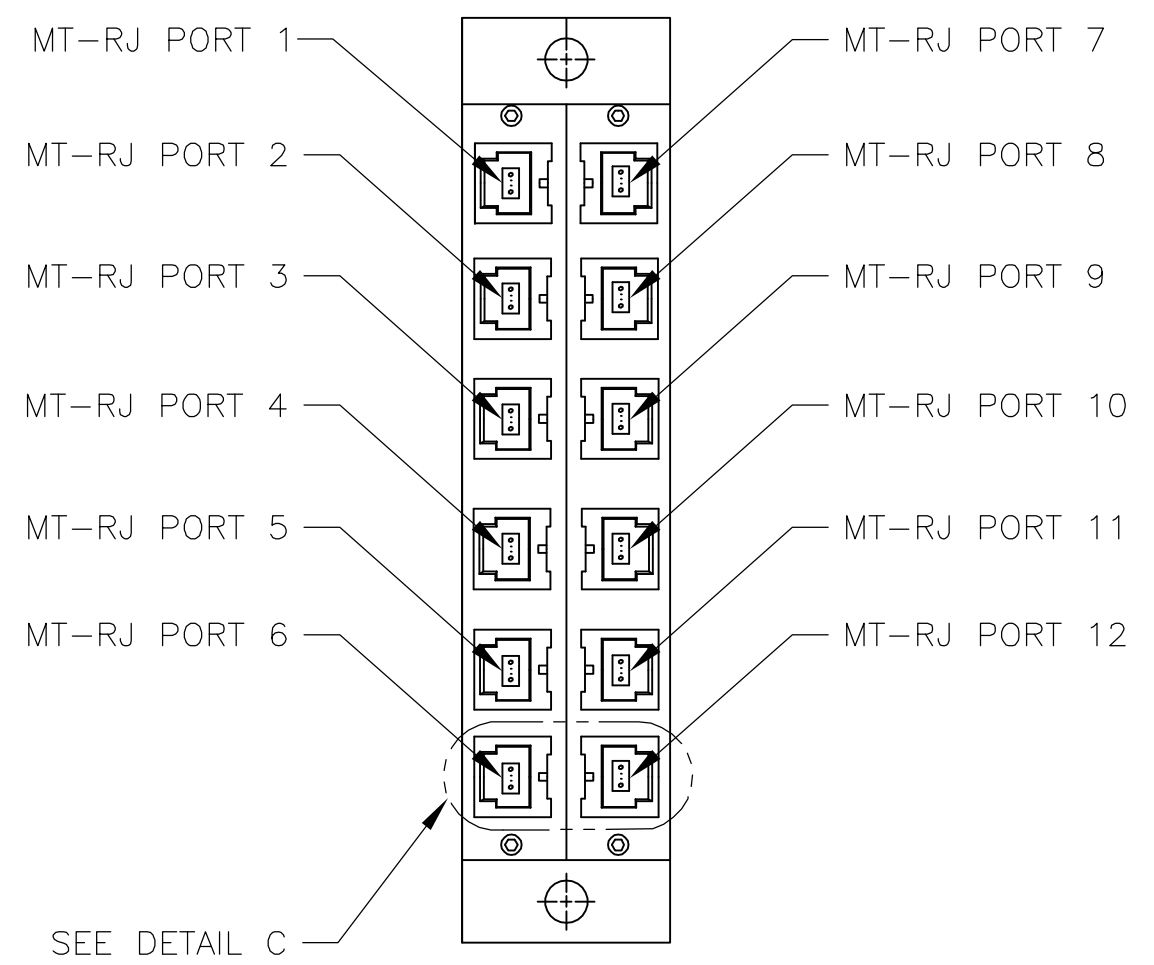
Tel: +86-755-8981 8866 Fax: +86-755-8427 6832

Email & Skype: info@chipsmall.com Web: www.chipsmall.com

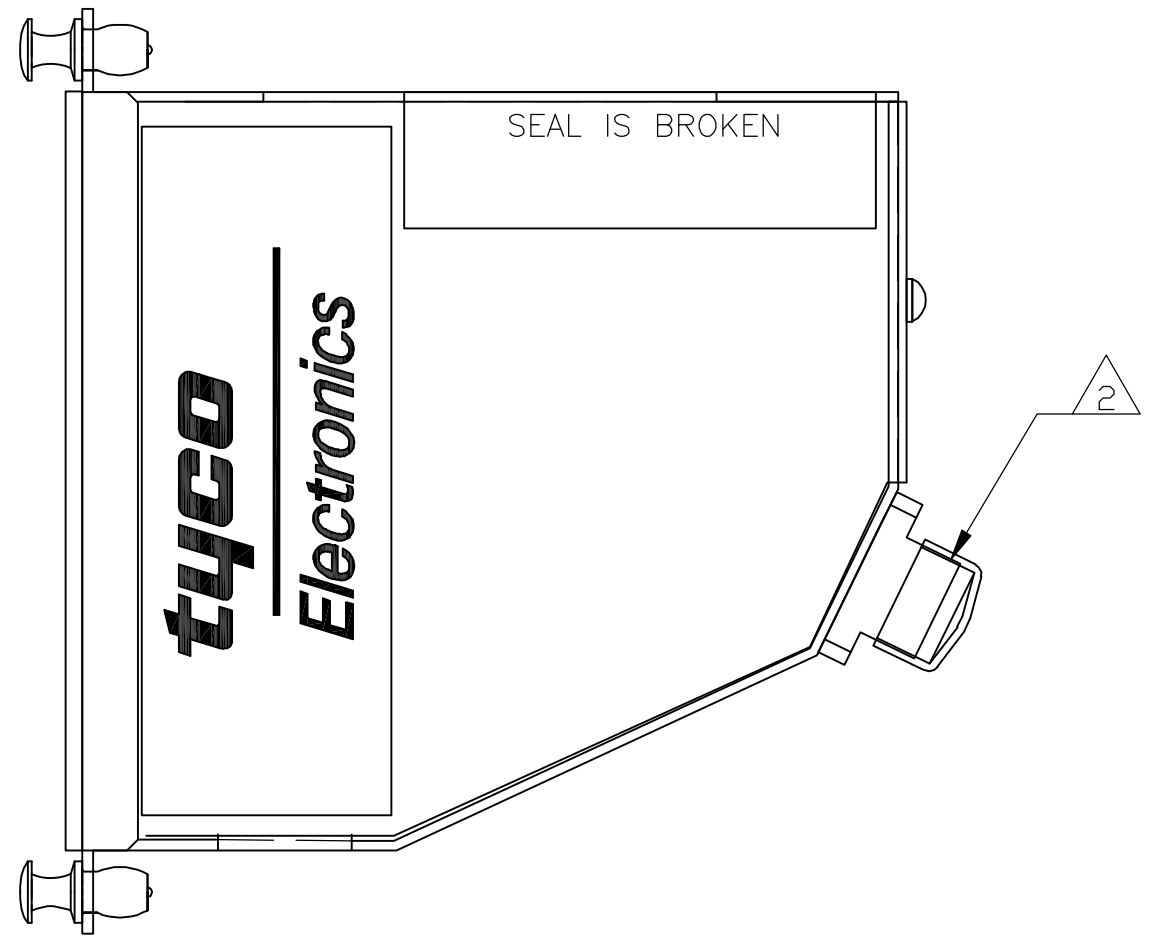
Address: A1208, Overseas Decoration Building, #122 Zhenhua RD., Futian, Shenzhen, China



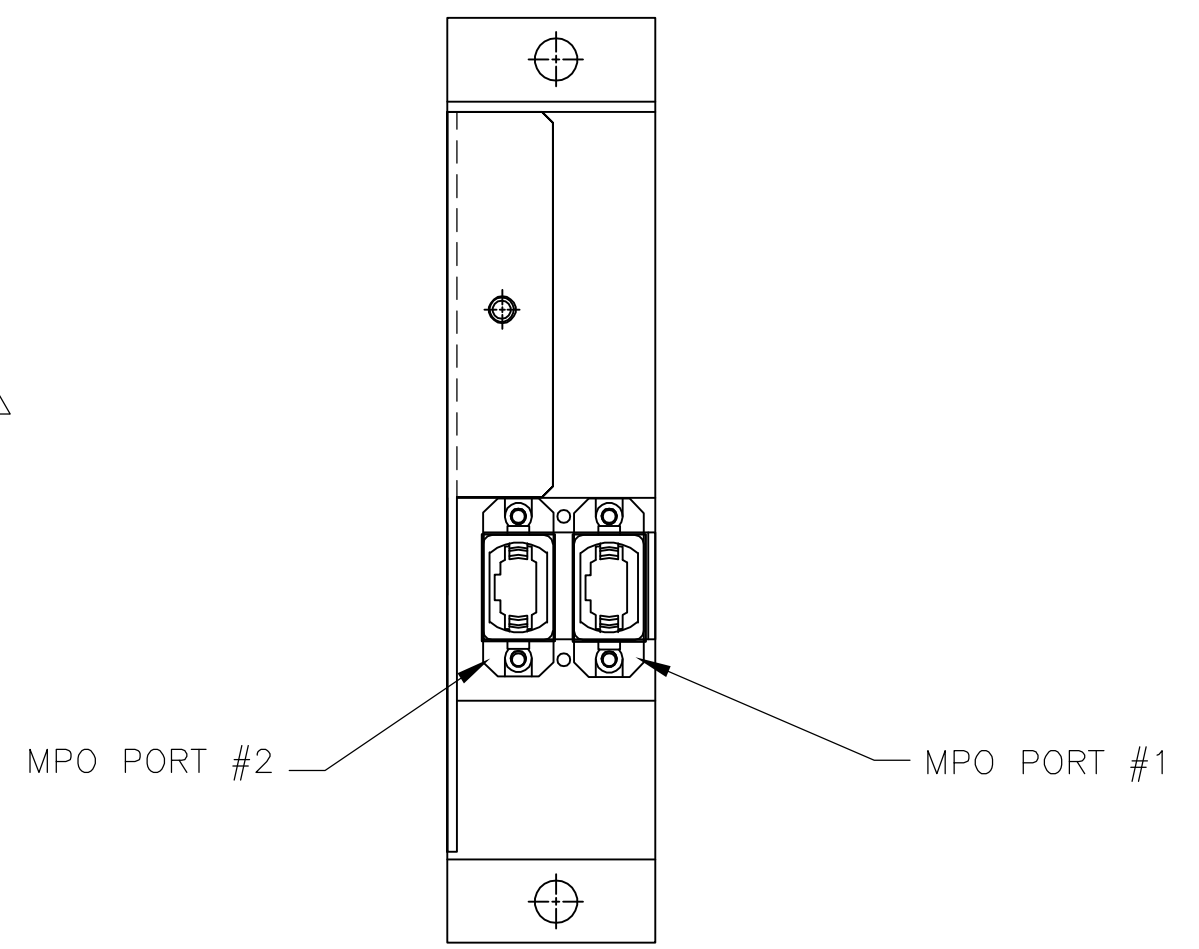
LOC	DIST	REVISIONS					
CE	17	P	LTR	DESCRIPTION	DATE	DWN	APVD
		A1		MINOR REVISION	11APR07	DLF	DLF



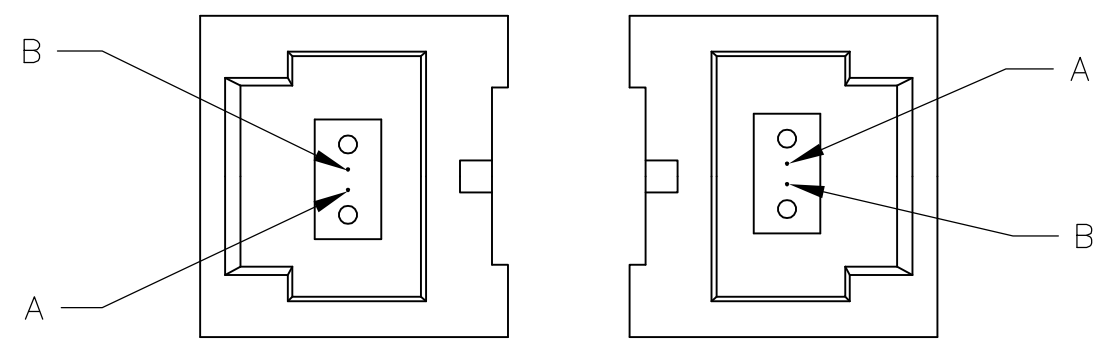
FRONT VIEW



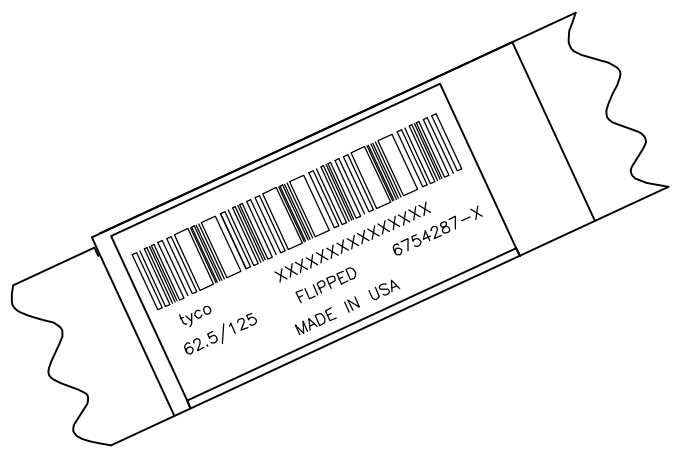
RIGHT SIDE VIEW



REAR VIEW



DETAIL C
 NOT TO SCALE
 TYP. 6 PLC.



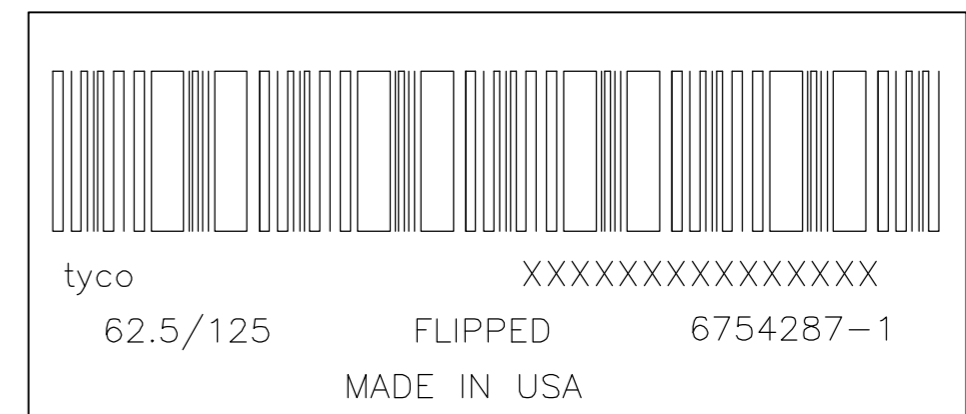
THIS DRAWING IS A CONTROLLED DOCUMENT.		DWN D. FENNELL 19MAR07	tyco Electronics Tyco Electronics Corporation Harrisburg, Pa 17105-3608
DIMENSIONS: mm		CHK D. FENNELL 19MAR07	
TOLERANCES UNLESS OTHERWISE SPECIFIED: 0 PLC ± - 1 PLC ± - 2 PLC ± - 3 PLC ± - 4 PLC ± - ANGLES ± - FINISH -		APVD D. FENNELL 19MAR07	NAME CASSSETTE ASSY, 62.5/125um, 12 PORT MPO SECURE TO MT-RJ SECURE, PAIRS FLIPPED
MATERIAL -		PRODUCT SPEC -	APPLICATION SPEC -
		SIZE A2	CAGE CODE 00779
		DRAWING NO 6754287	
		RESTRICTED TO -	
		CUSTOMER DRAWING	
		SCALE NTS	SHEET 1 OF 2
		REV A1	

6754287

THIS DRAWING IS UNPUBLISHED. RELEASED FOR PUBLICATION
 © COPYRIGHT BY TYCO ELECTRONICS CORPORATION. ALL RIGHTS RESERVED.

LOC	DIST	REVISIONS			
P	LTR	DESCRIPTION	DATE	DWN	APVD
CE	17	SEE SHEET 1	-	-	-

1. MAXIMUM CASSETTE ASSEMBLY LOSS: 1.25dB.
2. WHITE MARKING ON MPO TO BE FACING TOWARD TOP OF CONNECTOR MODULE. WHITE MARK INDICATES FIBER 1 SIDE.
3. SEE TRACE LABEL DETAIL.
4. SEE DETAIL C FOR FIBER CHANNEL ORIENTATION.
5. PRODUCT AND PROCESSING MUST MEET REQUIREMENTS OF TYCO ELECTRONICS STANDARD 230-702.
6. A COPY OF CASSETTE ASSEMBLY LOSS TEST DATA WILL BE PLACED INSIDE OR WITH THE UNIT PACKAGE. CASSETTES WILL BE TESTED AT 1300nm WAVELENGTH.



FIBER PATH (PAIRS FLIPPED)

MPO PORT NUMBER	MPO FIBER NO	MT-RJ PORT NUMBER AND CHANNEL
#1	1	1A
	2	1B
	3	2A
	4	2B
	5	3A
	6	3B
	7	4A
	8	4B
	9	5A
	10	5B
	11	6A
	12	6B
#2	1	7A
	2	7B
	3	8A
	4	8B
	5	9A
	6	9B
	7	10A
	8	10B
	9	11A
	10	11B
	11	12A
	12	12B

AQUA SECURE	AQUA SECURE	1-6754287-1
SLATE SECURE	SLATE SECURE	1-6754287-0
ROSE SECURE	ROSE SECURE	6754287-9
VIOLET SECURE	VIOLET SECURE	6754287-8
BROWN SECURE	BROWN SECURE	6754287-7
ORANGE SECURE	ORANGE SECURE	6754287-6
YELLOW SECURE	YELLOW SECURE	6754287-5
BLUE SECURE	BLUE SECURE	6754287-4
GREEN SECURE	GREEN SECURE	6754287-3
RED SECURE	RED SECURE	6754287-2
BLACK STANDARD	ALMOND STANDARD	6754287-1
MPO COUPLING BUSHING COLOR & TYPE	MT-RJ ADAPTER COLOR & TYPE	PART NUMBER

THIS DRAWING IS A CONTROLLED DOCUMENT.		DWN D. FENNELL 19MAR07	Tyco Electronics Corporation Harrisburg, Pa 17105-3608	
DIMENSIONS: mm		CHK D. FENNELL 19MAR07	NAME D. FENNELL 19MAR07	
TOLERANCES UNLESS OTHERWISE SPECIFIED:		APVD D. FENNELL 19MAR07	PRODUCT SPEC	
0 PLC ± - 1 PLC ± - 2 PLC ± - 3 PLC ± - 4 PLC ± - ANGLES ± - FINISH -		APPLICATION SPEC	CASSSETTE ASSY, 62.5/125um, 12 PORT MPO SECURE TO MT-RJ SECURE, PAIRS FLIPPED	
MATERIAL	FINISH	WEIGHT	SIZE A2	RESTRICTED TO
-	-	-	CAGE CODE 00779	-
CUSTOMER DRAWING		SCALE NTS	DRAWING NO C=6754287	REV A1
		SHEET 2 of 2		

6754287