



Chipsmall Limited consists of a professional team with an average of over 10 year of expertise in the distribution of electronic components. Based in Hongkong, we have already established firm and mutual-benefit business relationships with customers from,Europe,America and south Asia,supplying obsolete and hard-to-find components to meet their specific needs.

With the principle of "Quality Parts,Customers Priority,Honest Operation,and Considerate Service",our business mainly focus on the distribution of electronic components. Line cards we deal with include Microchip,ALPS,ROHM,Xilinx,Pulse,ON,Everlight and Freescale. Main products comprise IC,Modules,Potentiometer,IC Socket,Relay,Connector.Our parts cover such applications as commercial,industrial, and automotives areas.

We are looking forward to setting up business relationship with you and hope to provide you with the best service and solution. Let us make a better world for our industry!



Contact us

Tel: +86-755-8981 8866 Fax: +86-755-8427 6832

Email & Skype: info@chipsmall.com Web: www.chipsmall.com

Address: A1208, Overseas Decoration Building, #122 Zhenhua RD., Futian, Shenzhen, China



THIS DRAWING IS UNPUBLISHED. RELEASED FOR PUBLICATION 20
 © COPYRIGHT 20 BY - ALL RIGHTS RESERVED.

LOC	DIST	REVISIONS					
CE	00	P	LTR	DESCRIPTION	DATE	DWN	APVD
			G	REV PER ECO-13-001189	24JAN2013	JM	TE

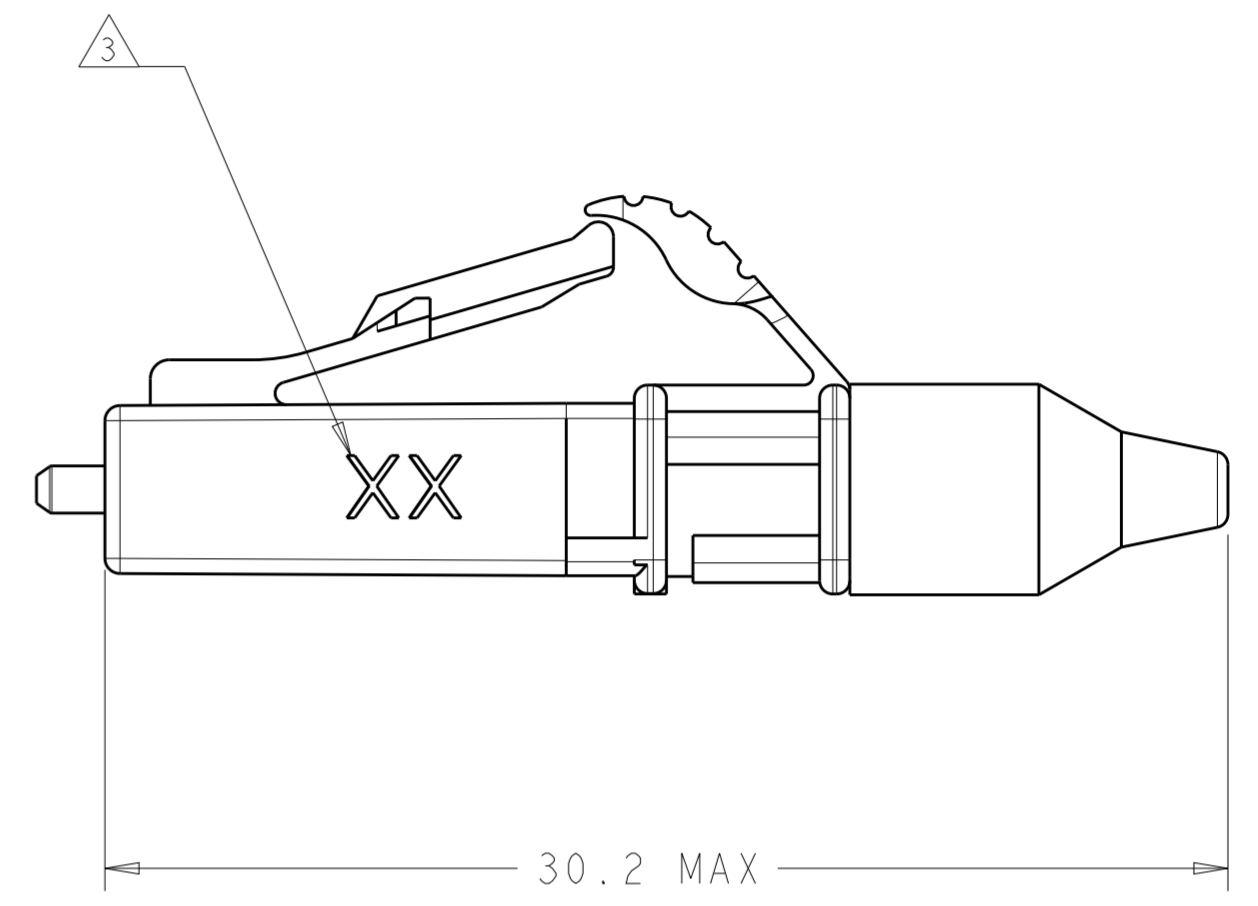
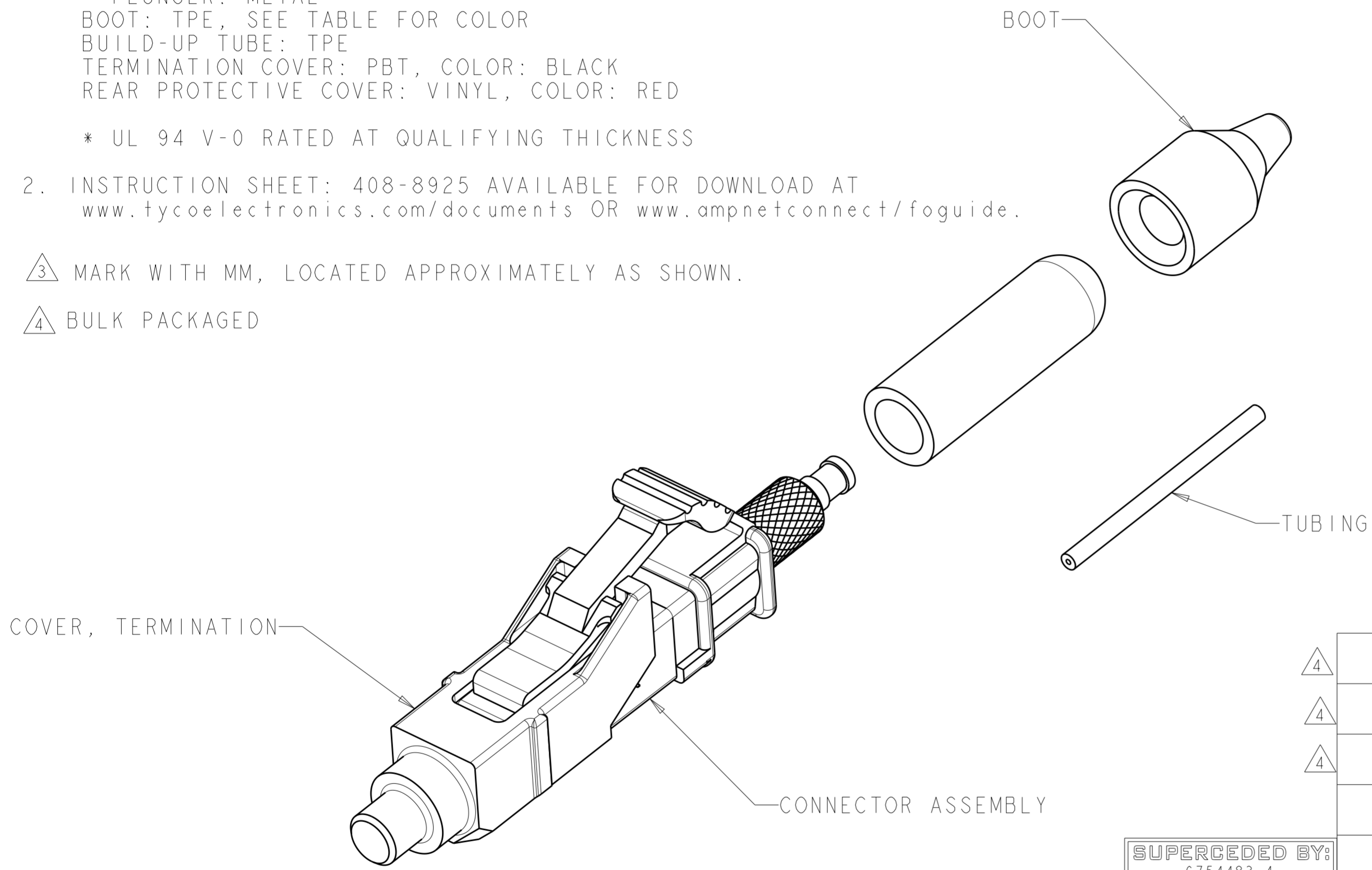
1 MATERIAL:
 CONNECTOR ASSEMBLY:
 CONNECTOR HOUSING: PPSU, COLOR: BEIGE *
 REAR BODY: METAL
 COMPRESSION SPRING: METAL
 FERRULE SUB ASSEMBLY: ZIRCONIA/ METAL
 INTERNAL SPLICE: PEI *
 PLUNGER: METAL
 BOOT: TPE, SEE TABLE FOR COLOR
 BUILD-UP TUBE: TPE
 TERMINATION COVER: PBT, COLOR: BLACK
 REAR PROTECTIVE COVER: VINYL, COLOR: RED

* UL 94 V-0 RATED AT QUALIFYING THICKNESS

2. INSTRUCTION SHEET: 408-8925 AVAILABLE FOR DOWNLOAD AT
www.tycoelectronics.com/documents OR www.ampnetconnect/foguide.

3 MARK WITH MM, LOCATED APPROXIMATELY AS SHOWN.

4 BULK PACKAGED



SUPERCEDED BY:
6754483-4

4	BEIGE	62.5/125um	6754483-7
4	BLACK	50/125um	6754483-6
4	AQUA	XG 50/125um	6754483-5
	AQUA	XG 50/125um	6754483-4
	GRAY	XG 50/125um	6754483-3
	BLACK	50/125um	6754483-2
	BEIGE	62.5/125um	6754483-1
	BOOT COLOR	DESCRIPTION	PART NO.

THIS DRAWING IS A CONTROLLED DOCUMENT.

DWN	D ERDMAN	24DEC2005	TE Connectivity
CHK	M GURRERI	24DEC2005	
APVD	BAECHTLE	24DEC2005	
NAME	KIT, CONNECTOR, LightCrimp Plus LC SIMPLEX, MM 250-900um BUFFER		
DIMENSIONS: mm TOLERANCES UNLESS OTHERWISE SPECIFIED: 0 PLC ± 1 PLC ±0.5 2 PLC ±0.13 3 PLC ±0.013 4 PLC ±0.0001 ANGLES ± FINISH			PRODUCT SPEC APPLICATION SPEC WEIGHT SCALE 5:1
MATERIAL 			SIZE A200779 CAGE CODE C-6754483 SHEET 1 OF 1 REV G

CUSTOMER DRAWING