



Chipsmall Limited consists of a professional team with an average of over 10 year of expertise in the distribution of electronic components. Based in Hongkong, we have already established firm and mutual-benefit business relationships with customers from,Europe,America and south Asia,supplying obsolete and hard-to-find components to meet their specific needs.

With the principle of "Quality Parts,Customers Priority,Honest Operation,and Considerate Service",our business mainly focus on the distribution of electronic components. Line cards we deal with include Microchip,ALPS,ROHM,Xilinx,Pulse,ON,Everlight and Freescale. Main products comprise IC,Modules,Potentiometer,IC Socket,Relay,Connector.Our parts cover such applications as commercial,industrial, and automotives areas.

We are looking forward to setting up business relationship with you and hope to provide you with the best service and solution. Let us make a better world for our industry!



Contact us

Tel: +86-755-8981 8866 Fax: +86-755-8427 6832

Email & Skype: info@chipsmall.com Web: www.chipsmall.com

Address: A1208, Overseas Decoration Building, #122 Zhenhua RD., Futian, Shenzhen, China



THIS DRAWING IS UNPUBLISHED. RELEASED FOR PUBLICATION 20
 © COPYRIGHT 20 ALL RIGHTS RESERVED.

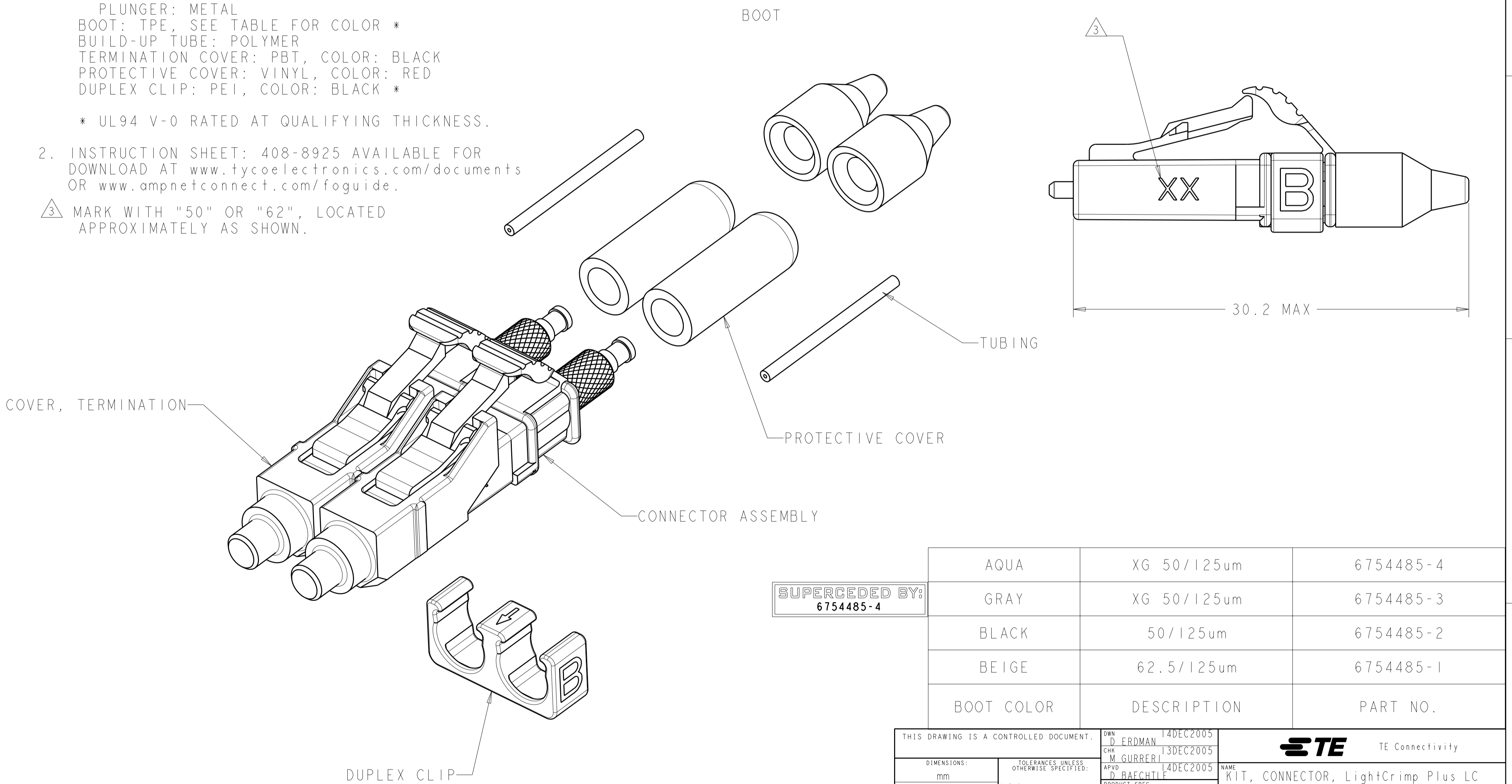
LOC	DIST	REVISIONS			
P	LTR	DESCRIPTION	DATE	DWN	APVD
CE	00	F3	REVISED PER ECO-11-005139	27APR2011	RK HMR

1. MATERIAL:
 CONNECTOR ASSEMBLY:
 CONNECTOR HOUSING: PPSU, COLOR: BEIGE *
 REAR BODY: METAL
 COMPRESSION SPRING: METAL
 FERRULE SUB ASSEMBLY: ZIRCONIA/ METAL
 INTERNAL SPLICE: PEI *
 PLUNGER: METAL
 BOOT: TPE, SEE TABLE FOR COLOR *
 BUILD-UP TUBE: POLYMER
 TERMINATION COVER: PBT, COLOR: BLACK
 PROTECTIVE COVER: VINYL, COLOR: RED
 DUPLEX CLIP: PEI, COLOR: BLACK *

* UL94 V-0 RATED AT QUALIFYING THICKNESS.

2. INSTRUCTION SHEET: 408-8925 AVAILABLE FOR
 DOWNLOAD AT www.tycoelectronics.com/documents
 OR www.amphenolconnect.com/foguide.

3. MARK WITH "50" OR "62", LOCATED
 APPROXIMATELY AS SHOWN.



SUPERCEDED BY:
6754485-4

BOOT COLOR	DESCRIPTION	PART NO.
AQUA	XG 50/125um	6754485-4
GRAY	XG 50/125um	6754485-3
BLACK	50/125um	6754485-2
BEIGE	62.5/125um	6754485-1

THIS DRAWING IS A CONTROLLED DOCUMENT.

DIMENSIONS: mm	TOLERANCES UNLESS OTHERWISE SPECIFIED: 0 PLC ±- 1 PLC ±0.5 2 PLC ±0.13 3 PLC ±0.013 4 PLC ±0.0001 ANGLES ± FINISH	DWN D. ERDMAN 14DEC2005 CHK M. GURRERI 13DEC2005 APVD D. BAECHTLE 14DEC2005	TE Connectivity	
MATERIAL		PRODUCT SPEC APPLICATION SPEC	NAME KIT, CONNECTOR, LightCrimp Plus LC DUPLEX, MM 250-900um BUFFER	
		WEIGHT	SIZE A200779	CAGE CODE C-6754485
		CUSTOMER DRAWING	SCALE 4:1	SHEET 1 OF 1

RESTRICTED TO: -
REV: F3