



Chipsmall Limited consists of a professional team with an average of over 10 year of expertise in the distribution of electronic components. Based in Hongkong, we have already established firm and mutual-benefit business relationships with customers from,Europe,America and south Asia,supplying obsolete and hard-to-find components to meet their specific needs.

With the principle of “Quality Parts,Customers Priority,Honest Operation,and Considerate Service”,our business mainly focus on the distribution of electronic components. Line cards we deal with include Microchip,ALPS,ROHM,Xilinx,Pulse,ON,Everlight and Freescale. Main products comprise IC,Modules,Potentiometer,IC Socket,Relay,Connector.Our parts cover such applications as commercial,industrial, and automotives areas.

We are looking forward to setting up business relationship with you and hope to provide you with the best service and solution. Let us make a better world for our industry!



Contact us

Tel: +86-755-8981 8866 Fax: +86-755-8427 6832

Email & Skype: info@chipsmall.com Web: www.chipsmall.com

Address: A1208, Overseas Decoration Building, #122 Zhenhua RD., Futian, Shenzhen, China



DIALIGHT PART NO.	LED COLOR	OPERATING VOLTAGE (SEE TABLE)	REFER TO FIGURE
676-2111-110F	HIGH BRIGHT RED	2V	1
676-2311-110F	HIGH BRIGHT ORANGE	2V	1
676-1111-110F	HIGH BRIGHT RED	2V	2
676-1311-110F	HIGH BRIGHT ORANGE	2V	2
676-2211-110F	HIGH BRIGHT GREEN	3.3V	1
676-2411-110F	HIGH BRIGHT BLUE	3.3V	1
676-2511-110F	HIGH BRIGHT WHITE	3.3V	1
676-1211-110F	HIGH BRIGHT GREEN	3.3V	2
676-1411-110F	HIGH BRIGHT BLUE	3.3V	2
676-1511-110F	HIGH BRIGHT WHITE	3.3V	2

REV	ECN NO	REVISIONS	DRN	CKD	APP	QA	CM	DATE
A	—	NEW RELEASE	BP					

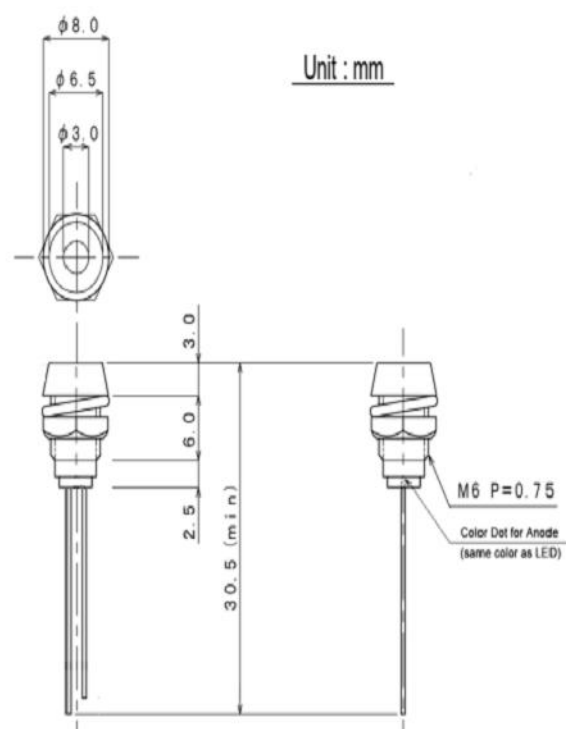


FIGURE 1

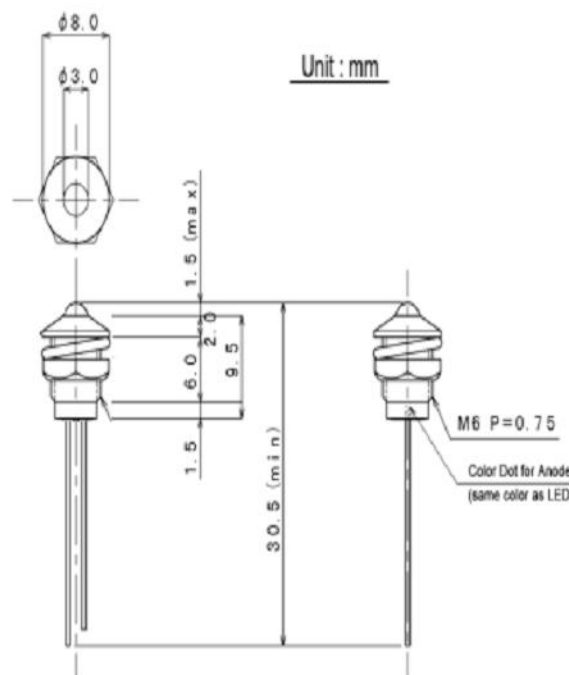


FIGURE 2

NOTES:


- 1, MOUNTING HOLE SIZE: 0.244" (6.2 MM)
- 2, MAX PANEL THICKNESS: 0.138" (3.5 MM)
- 3, MATERIALS:
 - 3.1, METAL HOUSING: BRASS, CHROME PLATED.
 - 3.2, MOUNTING HEX NUT: BRASS, NICKEL PLATED.
 - 3.3, SPLIT LOCK WASHER: STEEL, UNI-CHROME PLATED.
 - 3.4, HEADER/INSULATOR: POLYCARBONATE, COLOR: BLACK
- 4, SOLDERABILITY: PER ANSI/IPC-S-805, METHOD A.
- 5, RECOMENDED MOUNTING TORQUE: 0.362 LBS/FT (5 KG/CM)

RoHS COMPLIANT C18277

Part Numbers with the "F" suffix ending are RoHS Compliant. Packaging is marked with "RoHS Compliant" label or equivalent markings. Parts can be wave soldered, dip soldered or hand soldered using typical lead-free soldering process with max 260°C temp. for 5 sec.

LED Specifications

Color	Absolute Maximum Ratings					(IF = 20mA) Electro-Optical Characteristics					
	Forward Current IF (mA)	Reverse Voltage VR (V)	Power Dissipation PD (mW)	Operating Temp. Topr (°C)	Storage Temp. Tstg (°C)	Forward Voltage VF (V)	Reverse Current IR (µA)	Luminous Intensity Iv (mcd)	Wave Length λ d (nm)	LineHalf-width Δλ (nm)	Angle (Ref.) 2θ 1/2
Red	30	10	72	-30 ~ +85	-40 ~ +100	2.05	10	3000	624	20	25
Green	30	7	108	-30 ~ +85	-40 ~ +100	3.3	10	12000	525	30	25
Orange	30	10	72	-30 ~ +85	-40 ~ +100	2.05	10	3500	605	17	25
Blue	30	7	108	-30 ~ +85	-40 ~ +100	3.3	10	3000	470	22	25
White	30	7	108	-30 ~ +85	-40 ~ +100	3.3	10	6500	**x = 0.31, y=0.29		50

THIS DRAWING AND THE CONTENTS HEREIN ARE CONFIDENTIAL AND THE SOLE PROPERTY OF DIALIGHT. REPRODUCTION OF THIS DRAWING OR CONSTRUCTION OF ANY PARTS WITHIN THIS DRAWING ARE FORBIDDEN WITHOUT THE WRITTEN CONSENT OF DIALIGHT.		
SCALE: 3.000 ALL DIM'S IN: INCHES (MM)	DRAWING NUMBER C-18277	REV A
TOLERANCES: UNLESS OTHERWISE SPECIFIED FRACTIONS: ±1/64 DECIMALS (.XX): ±.01 DECIMALS (.XXX): ±.005 DECIMALS (.XXXX): ±.0005 ANGLES: ±1°	TITLE 6mm HIGH BRIGHT LED PMI	
FINISH: -	MATERIAL —	
FSCM 83330	 1501 ROUTE 34 SOUTH FARMINGDALE, NJ 07727	
SHEET 1 OF 1 FAMILY TABLE:		