



Chipsmall Limited consists of a professional team with an average of over 10 year of expertise in the distribution of electronic components. Based in Hongkong, we have already established firm and mutual-benefit business relationships with customers from,Europe,America and south Asia,supplying obsolete and hard-to-find components to meet their specific needs.

With the principle of “Quality Parts,Customers Priority,Honest Operation,and Considerate Service”,our business mainly focus on the distribution of electronic components. Line cards we deal with include Microchip,ALPS,ROHM,Xilinx,Pulse,ON,Everlight and Freescale. Main products comprise IC,Modules,Potentiometer,IC Socket,Relay,Connector.Our parts cover such applications as commercial,industrial, and automotives areas.

We are looking forward to setting up business relationship with you and hope to provide you with the best service and solution. Let us make a better world for our industry!



Contact us

Tel: +86-755-8981 8866 Fax: +86-755-8427 6832

Email & Skype: info@chipsmall.com Web: www.chipsmall.com

Address: A1208, Overseas Decoration Building, #122 Zhenhua RD., Futian, Shenzhen, China



This drawing involves proprietary design rights of Tyco Electronics Corporation, and all design, manufacture, reproduction, use and sale rights regarding the same are expressly reserved. It is submitted for a specific purpose and the recipient by accepting this drawing, assumes custody and control and agrees to take reasonable precautions; (a) that this drawing will not be copied and reproduced, in whole or in part, or its contents revealed in any manner, or to any person except to meet the purpose for which it was delivered and (b) that any special features peculiar to this design will not be incorporated in other projects without the expressed written permission of Tyco Electronics Corporation.

REVISIONS

EC	REV	DESCRIPTION	DATE
—	A	INITIAL RELEASE	03/31/12

9. MODULE INFORMATION

CONNECTOR	TYCO PART NUMBER	ELCON PART NUMBER	CATALOG MODULE #	QTY	SIZE NO.	CONTACT QTY	MATING PIN	MAX. CURRENT (PER CONTACT)	CONTACT SPACING	VOLTAGE RATING*		
SOCKET	6766477-1	279-1155-00200D	FP0204	8	8	8	1.25 X 7.00 [.049 X .276]	35 AMPERES	7.50 [.2953]	250 VOLTS		
			FP0403	1	22	24	.64 [.025] SQ.	3 AMPERES	2.50 [.0984]	125 VOLTS		
			FP0523	1	ACTIVE RIGHT ANGLE GUIDE PIN (19.1mm)							
			FP0500	1	LEFT MOUNTING FLANGE							
			FP0501	1	RIGHT MOUNTING FLANGE							

*IAW IEC-950

NOTES: UNLESS OTHERWISE SPECIFIED.

1. PART NUMBER CHANGES AND OR DESIGN CHANGES AFFECTING ITEM INTERCHANGEABILITY REQUIRE PRIOR ELCON APPROVAL AND AUTHORIZATION BY REVISION TO THIS DRAWING.

2. MATERIALS:

INSULATORS: THERMOPLASTIC, GLASS REINFORCED, COLOR BLACK, UL94V-0 FLAMMABILITY RATED.

SOLDER SIGNAL PIN: BRASS ALLOY.

POWER CONTACTS: PHOSPHOR BRONZE ALLOY, COPPER ALLOY.

CROWN BANDS: BERYLLIUM COPPER ALLOY.

GUIDE PIN: BRASS COPPER ALLOY.

3. FINISHES:

CONTACTS: GOLD PLATED PER MIL-G-45204 TYPE II, CLASS 0, .000030" MIN. THK, OVER NICKEL PLATED PER QQ-N-290, CLASS 2, .000040" MIN. THK. SOLDER TAILS, TIN (90/10) PER ASTM B 545, .000100" MIN. THICK.

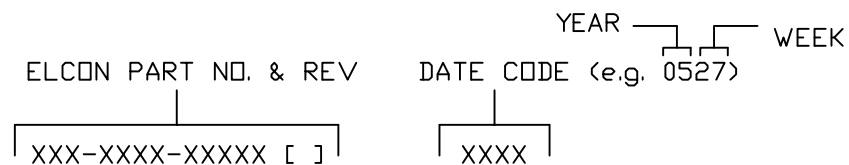
GUIDE PIN: SILVER PLATED PER QQ-S365.

4. MOUNTING FLANGES ACCEPT M3 OR NO. 4 SCREWS, (USER SUPPLIED).

5. RECOMMENDED PRESSING TOOL PN FIX00308.

6. ALL POWER MODULES ARE NON HOT PLUG.

7. ITEMS PROVIDED TO THIS SPECIFICATION TO BE PERMANENTLY IDENTIFIED PER THE FOLLOWING IDENTIFIER:

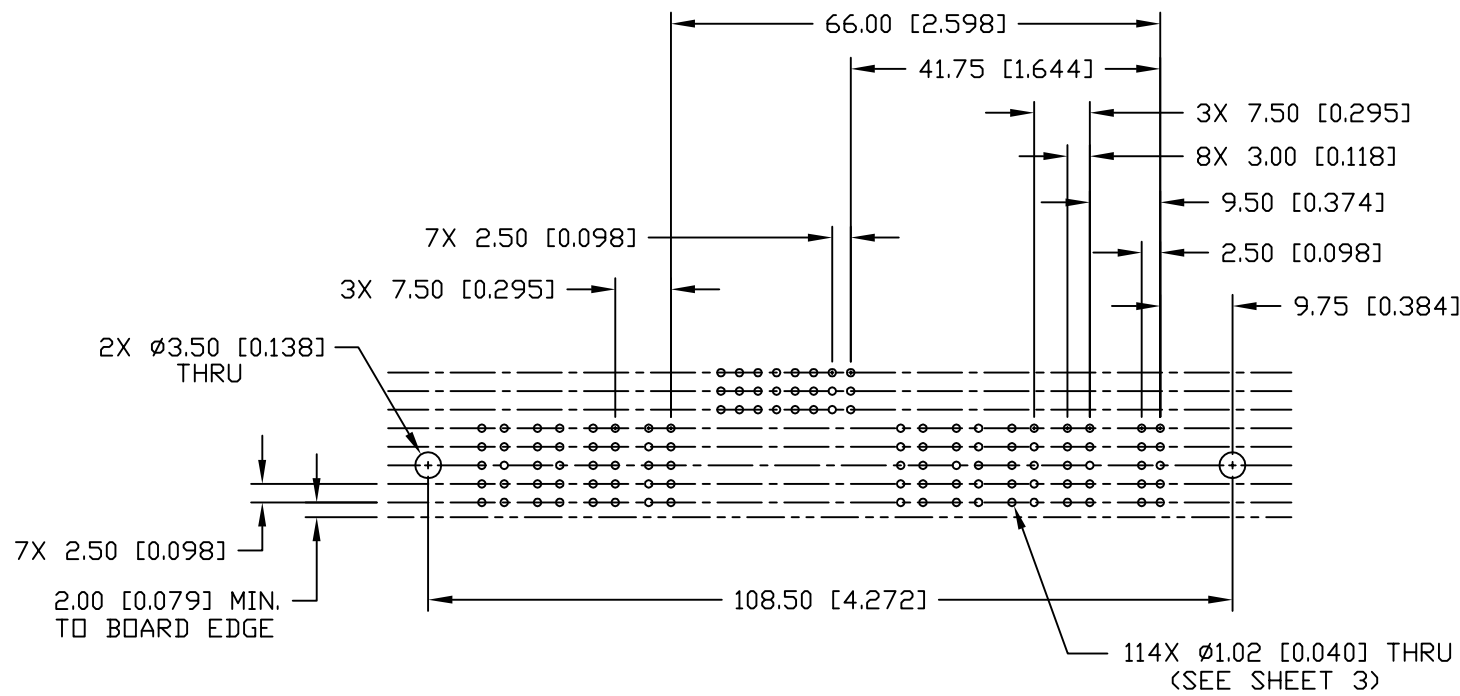
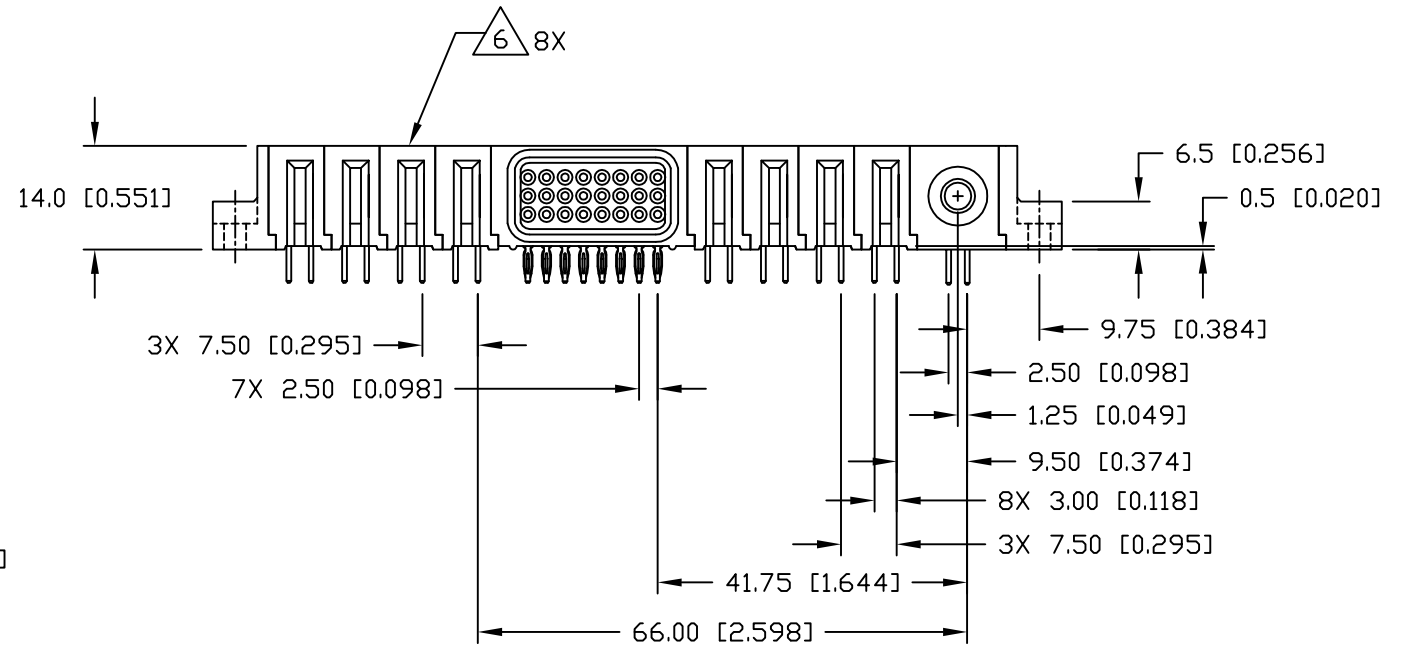
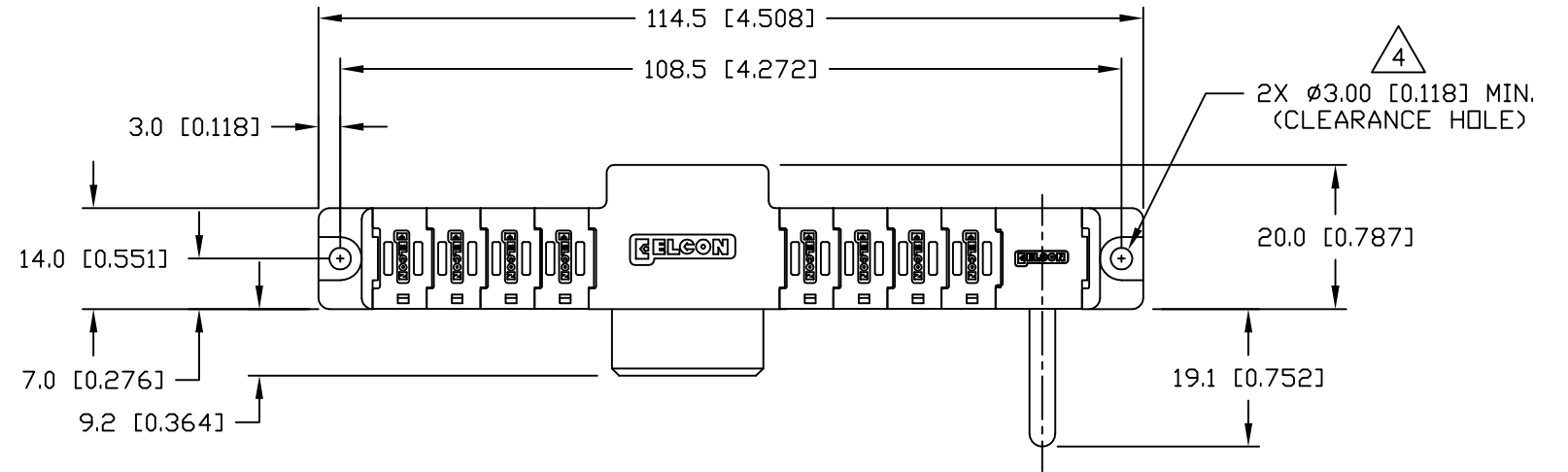
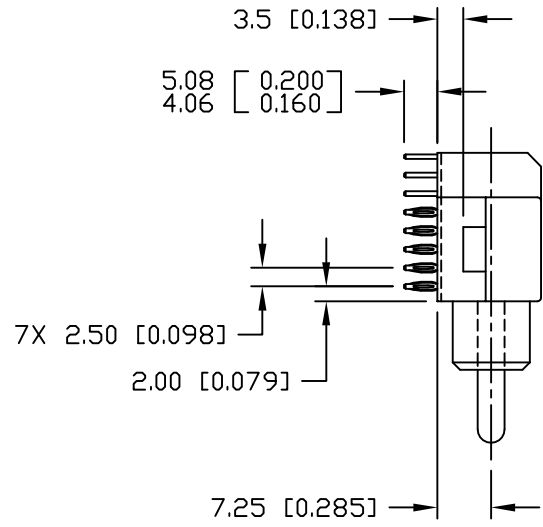


8. THIS CONNECTOR MATES WITH PIN CONNECTOR PN 279-1155-00100.

<p>THIRD ANGLE PROJECTION</p> <p>UNLESS OTHERWISE SPECIFIED DIMENSIONS ARE IN METRIC [INCHES]</p> <p>TOLERANCES</p> <p>ANGLES ± .5°</p> <p>DECIMALS</p> <p>.XX ± .25 [.010]</p> <p>.X ± .5 [.020]</p>	<p>DRAWN</p> <p>OL</p>	<p>DATE</p> <p>01/03/12</p>	Tyco Electronics Corporation Menlo Park, Ca 94025 	
	CHECKED			TITLE
	APPROVED			SOCKET CONNECTOR, FLATPAQ RIGHT ANGLE, COMPLIANT TAILS PN: 279-1155-00200D
	APPROVED			SIZE DWG NUMBER
	S.Z	01/03/12		B C = 6766477
DCA APPROVED		REV.	A	
ACAD FILE NUMBER	C6766477D.DWG		DWG SCALE 1=1 SH 1 OF 3	

This drawing involves proprietary design rights of Tyco Electronics Corporation, and all design, manufacture, reproduction, use and sale rights regarding the same are expressly reserved. It is submitted for a specific purpose and the recipient by accepting this drawing, assumes custody and control and agrees to take reasonable precautions; (a) that this drawing will not be copied and reproduced, in whole or in part, or its contents revealed in any manner, or to any person except to meet the purpose for which it was delivered and (b) that any special features peculiar to this design will not be incorporated in other projects without the expressed written permission of Tyco Electronics Corporation.

REVISIONS			
EC	REV	DESCRIPTION	DATE
SEE SHEET 1			

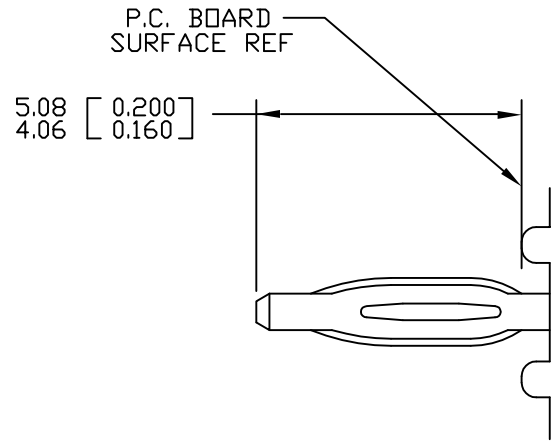


PRINTED CIRCUIT LAYOUT

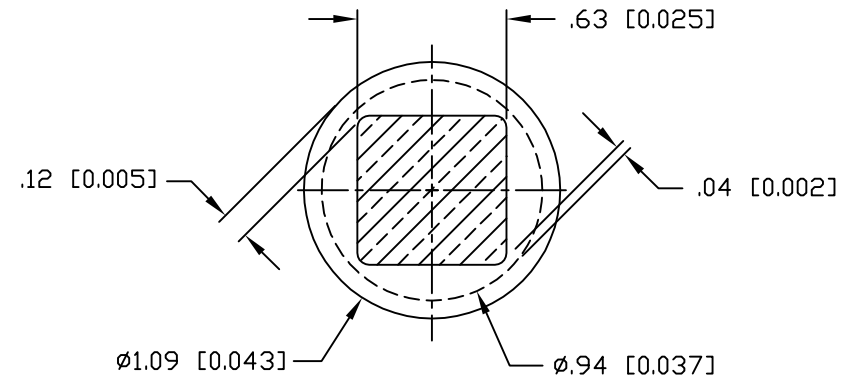
<p>THIRD ANGLE PROJECTION</p> <p>UNLESS OTHERWISE SPECIFIED DIMENSIONS ARE IN METRIC [INCHES]</p> <p>TOLERANCES</p> <p>ANGLES ± .5°</p> <p>DECIMALS</p> <p>.XX ± .25 [.010]</p> <p>.X ± .5 [.020]</p>	<p>DRAWN</p> <p>OL</p>	<p>DATE</p> <p>01/03/12</p>	<p>tyco Tyco Electronics Corporation Menlo Park, Ca 94025</p> <p>ELCON</p> <p>TITLE</p> <p>SOCKET CONNECTOR, FLATPAQ RIGHT ANGLE, COMPLIANT TAILS PN: 279-1155-00200D</p>		
	<p>CHECKED</p>				
	<p>APPROVED</p>				
	<p>APPROVED</p>				
	<p>S.Z</p>	<p>01/03/12</p>	<p>SIZE</p> <p>B</p>	<p>DWG NUMBER</p> <p>C = 6766477</p>	<p>REV.</p> <p>A</p>
	<p>DCA APPROVED</p>		<p>ACAD FILE NUMBER</p> <p>C6766477D.DWG</p>	<p>DWG SCALE</p> <p>1=1</p>	<p>SH 2 OF 3</p>

This drawing involves proprietary design rights of Tyco Electronics Corporation, and all design, manufacture, reproduction, use and sale rights regarding the same are expressly reserved. It is submitted for a specific purpose and the recipient by accepting this drawing, assumes custody and control and agrees to take reasonable precautions; (a) that this drawing will not be copied and reproduced, in whole or in part, or its contents revealed in any manner, or to any person except to meet the purpose for which it was delivered and (b) that any special features peculiar to this design will not be incorporated in other projects without the expressed written permission of Tyco Electronics Corporation.

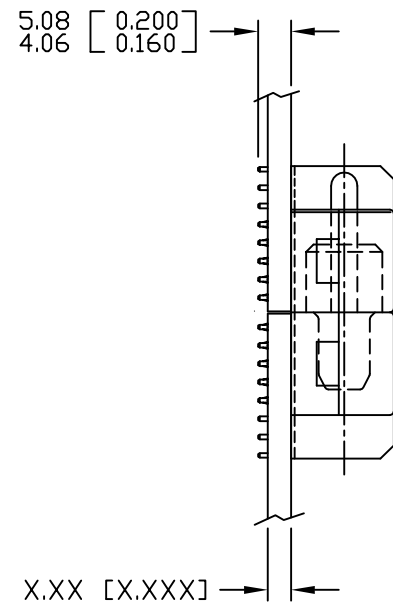
REVISIONS			
EC	REV	DESCRIPTION	DATE
		SEE SHEET 1	



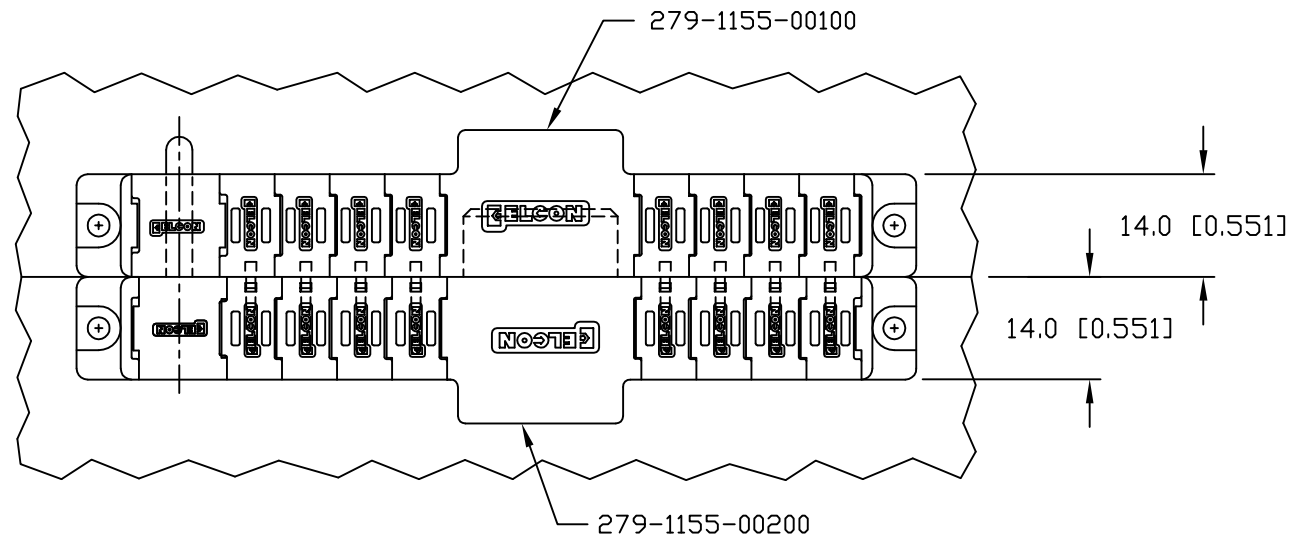
COMPLIANT PIN DETAIL
 INSERTION/EXTRACTION FORCES
 MAXIMUM PUSH-IN: 133.3N PER PIN
 [30 LBS]
 MINIMUM PUSH-OUT: 44.4N PER PIN
 [10 LBS]



SOLDER TERMINATION AREA
 RECOMMENDED PRINTED CIRCUIT HOLE
 FINISHED HOLE: $\phi 1.02 [0.040] \pm 0.08 [0.003]$
 DRILLED HOLE: $\phi 1.15 [0.0453] \pm 0.013 [0.0005]$
 COPPER PLATE: .025 [0.0010] MINIMUM (PER SURFACE)
 TIN PLATE: .008 [0.0003] MINIMUM (PER SURFACE)



MATED CONDITION



MM OR MM [INCH] THIRD ANGLE PROJECTION UNLESS OTHERWISE SPECIFIED DIMENSIONS ARE IN METRIC [INCHES] TOLERANCES ANGLES $\pm .5^\circ$ DECIMALS .XX $\pm .25 [0.010]$.X $\pm .5 [0.020]$	DRAWN	DATE	Tyco Electronics Corporation Menlo Park, Ca 94025
	OL	01/03/12	
	CHECKED		
	APPROVED		
	APPROVED		TITLE
	S.Z	01/03/12	USER INFORMATION COMPLIANT TAIL TERMINATION AND MATED CONDITION
	DCA APPROVED	01/03/12	
	ACAD FILE NUMBER	C6766477D.DWG	SIZE DWG NUMBER REV. B C = 6766477 A
			DWG SCALE 1=1 SH 3 OF 3