



Chipsmall Limited consists of a professional team with an average of over 10 year of expertise in the distribution of electronic components. Based in Hongkong, we have already established firm and mutual-benefit business relationships with customers from,Europe,America and south Asia,supplying obsolete and hard-to-find components to meet their specific needs.

With the principle of “Quality Parts,Customers Priority,Honest Operation,and Considerate Service”,our business mainly focus on the distribution of electronic components. Line cards we deal with include Microchip,ALPS,ROHM,Xilinx,Pulse,ON,Everlight and Freescale. Main products comprise IC,Modules,Potentiometer,IC Socket,Relay,Connector.Our parts cover such applications as commercial,industrial, and automotives areas.

We are looking forward to setting up business relationship with you and hope to provide you with the best service and solution. Let us make a better world for our industry!



Contact us

Tel: +86-755-8981 8866 Fax: +86-755-8427 6832

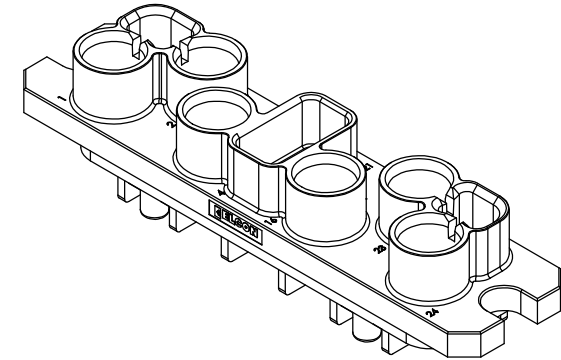
Email & Skype: info@chipsmall.com Web: www.chipsmall.com

Address: A1208, Overseas Decoration Building, #122 Zhenhua RD., Futian, Shenzhen, China



This drawing includes proprietary design rights of Tyco Electronics Corporation, and all design, manufacture, production, use and sale rights regarding the same are expressly reserved. It is submitted for specific purpose and the recipient by accepting this drawing, assumes custody and control and agrees to take reasonable precautions so that this drawing will not be copied and reproduced, in whole or in part, or its contents revealed in any manner, with any purpose or effect to meet the purpose for which it was drawn and (b) that any special features or alterations to this drawing will not be incorporated in other projects without the express written permission of Tyco Electronics Corporation.

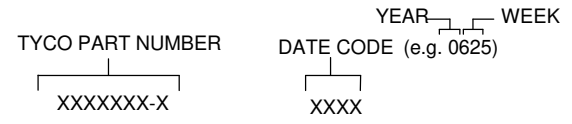
REVISIONS			DATE
EC	REV	DESCRIPTION	DATE
CPR	A	NEW RELEASE	02/07/06



PIN HOUSING ASSEMBLY

6766615-1
PART NUMBER

- SEE DRAWING C-6651585 FOR COMPLETE PIN CONNECTOR INFORMATION.
- ITEMS PROVIDED TO THIS SPECIFICATION TO BE PERMANENTLY IDENTIFIED PER THE FOLLOWING IDENTIFIER:



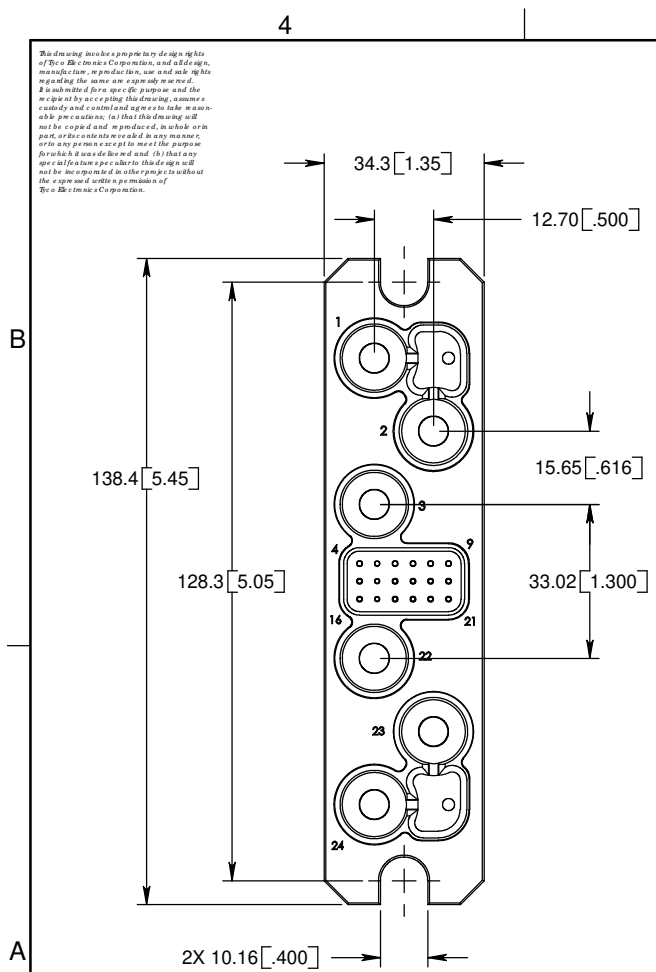
- A REFERENCE DIMENSION (X.XX) IS WITHOUT TOLERANCE AND USED FOR INFORMATION ONLY.
- FINISHES:
INSULATOR: AS MOLDED, COLOR BLACK
RETENTION CLIPS: CLEAN
- MATERIALS:
INSULATORS: THERMOPLASTIC, GLASS REINFORCED
UL RATED 94V-0 FLAMMABILITY RATED
RETENTION CLIPS: BERYLLIUM COPPER OR STAINLESS STEEL
- PART NUMBER CHANGES AND OR DESIGN CHANGES AFFECTING ITEM INTERCHANGEABILITY REQUIRE PRIOR ELCON APPROVAL AND AUTHORIZATION BY REVISION TO THIS DRAWING.

NOTES: UNLESS OTHERWISE SPECIFIED

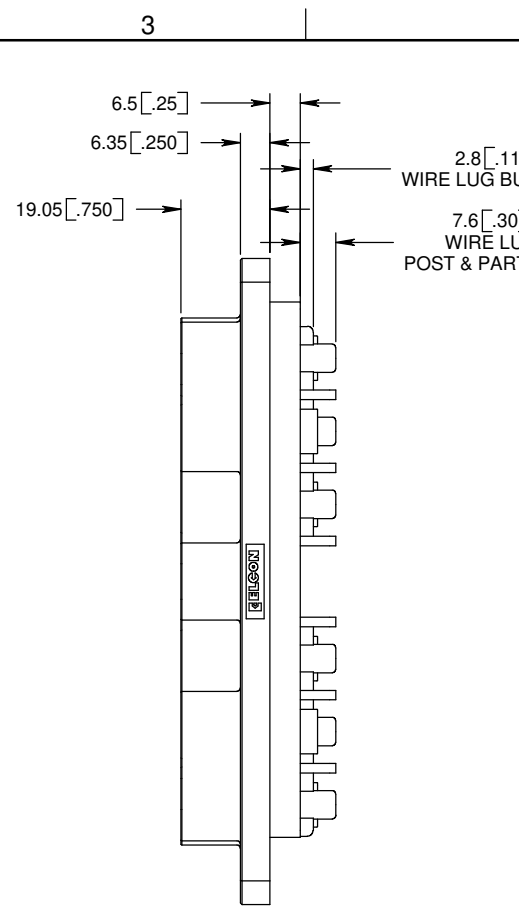
<p>UNLESS OTHERWISE SPECIFIED DIMENSIONS ARE IN MILLIMETERS (INCH)</p> <p>TO DECIMALS</p> <p>ANGLES ± 2.0°</p> <p>.XX ± 0.25 [.010]</p> <p>.X ± 0.5 [.02]</p>	<p>DRAWN R. Larsen/Ha Nguyen</p>	<p>DATE 02/07/06</p>	<p>tyco Electronics</p> <p>Tyco Electronics Corporation Menlo Park, CA 94025</p> <p>ELCON</p>	
	<p>THIRD ANGLE PROJECTION</p>	<p>CHIEF KED</p>		<p>TITLE</p> <p>CONNECTOR, PIN 6 x # 4 PWR & 18 x # 20 SIGNAL CONTACTS CUSTOM DRAWER</p>
	<p>APPROVED D. CHAU</p>	<p>02/07/06</p>		<p>SIZE DWG NUMBER</p> <p>B C □ 6766615</p>
	<p>APPROVED HA NGUYEN</p>	<p>02/07/06</p>		<p>REV.</p> <p>A</p>
<p>FILENAME SC6766615A.SLDDRW</p>		<p>DWG SCALE: 1 = 1</p>	<p>SH 1 OF 2</p>	

This drawing includes proprietary design rights of Tyco Electronics Corporation, and all design, manufacture, production, use and sale rights regarding the same are expressly reserved. It is submitted for specific purpose and the recipient by accepting this drawing, assumes custody and control and agrees to take reasonable precautions to that this drawing will not be copied and reproduced, in whole or in part, or its contents revealed in any manner, without any prior written consent of the provider for which it was designed and (b) that any special features or specifications that are not included in this drawing will not be included in other projects without the express and written permission of Tyco Electronics Corporation.

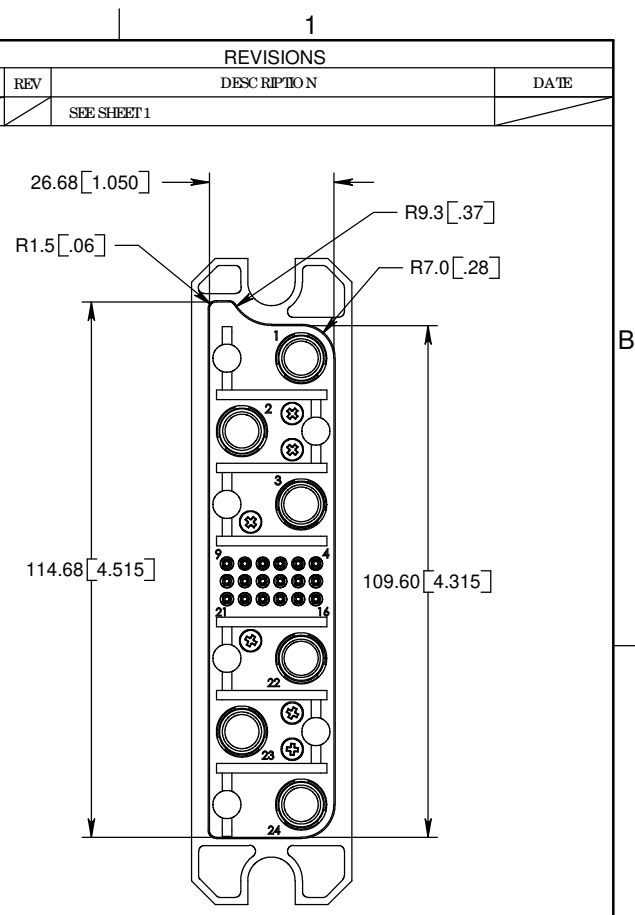
REVISIONS		
EC	REV	DESCRIPTION
		SEE SHEET 1
		DATE



ASSEMBLY TOP VIEW



ASSEMBLY SIDE VIEW



ASSEMBLY BOTTOM VIEW

<p>THIRD ANGLE PROJECTION</p> <p>UNLESS OTHERWISE SPECIFIED DIMENSIONS ARE IN MILLIMETERS (INCH)</p> <p>TO TOLERANCES</p> <p>ANGLES ± 2.0°</p> <p>DECIMALS</p> <p>XX ± 0.25 [0.010]</p> <p>X ± 0.5 [0.02]</p>	DRAWN	DATE	<p>Tyco Electronics Corporation Menlo Park, CA 94025</p>
	R. Larsen/Ha Nguyen	02/07/06	
	CHECKED		TITLE
	APPROVED		CONNECTOR, PIN 6 x # 4 PWR & 18 x # 20 SIGNAL CONTACTS CUSTOM DRAWER
APPROVED	02/07/06	SIZE	DWG NUMBER
D. CHAU		B	G 6766615
DCA APPROVED	02/07/06	REV.	A
HA NGUYEN		FILENAME	SC6766615A.SLDDRW
		DWG SCALE:	1 = 1
		SH	2 OF 2