



Chipsmall Limited consists of a professional team with an average of over 10 year of expertise in the distribution of electronic components. Based in Hongkong, we have already established firm and mutual-benefit business relationships with customers from,Europe,America and south Asia,supplying obsolete and hard-to-find components to meet their specific needs.

With the principle of "Quality Parts,Customers Priority,Honest Operation,and Considerate Service",our business mainly focus on the distribution of electronic components. Line cards we deal with include Microchip,ALPS,ROHM,Xilinx,Pulse,ON,Everlight and Freescale. Main products comprise IC,Modules,Potentiometer,IC Socket,Relay,Connector.Our parts cover such applications as commercial,industrial, and automotives areas.

We are looking forward to setting up business relationship with you and hope to provide you with the best service and solution. Let us make a better world for our industry!



Contact us

Tel: +86-755-8981 8866 Fax: +86-755-8427 6832

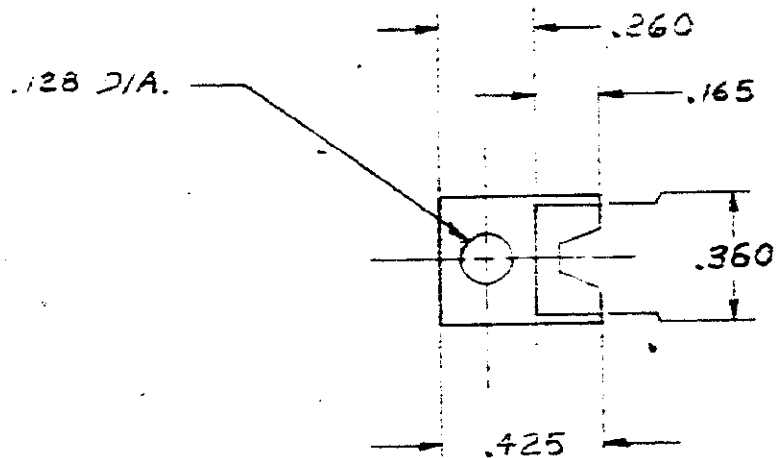
Email & Skype: info@chipsmall.com Web: www.chipsmall.com

Address: A1208, Overseas Decoration Building, #122 Zhenhua RD., Futian, Shenzhen, China



© 1969 BY AMP INCORPORATED. ALL RIGHTS RESERVED. AMP PRODUCTS COVERED BY PATENTS AND/OR PATENTS PENDING.

REVISIONS			DATE	APPROVED
REV	DESCRIPTION			
0	REL. PER NPS 9-14252-1 E-2		6-19-69	EMS
A	REVISED PER ECN TP-1432	PAR	12-4-69	
E	REVISED PER ECN TP-1444	PAR	2-9-70	PAR
C	.62 WAC .59 TPC-1590	PAR	2-18-70	

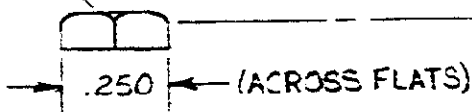


#5-40 SCREW
(LENGTH = PANEL THK + .62)

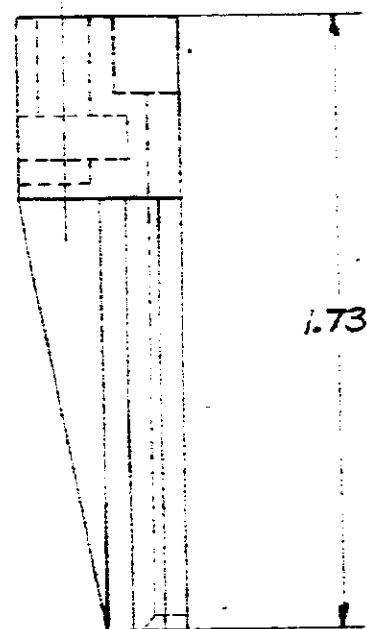
PANEL

CONNECTOR

SMALL PATTERN HEX NUT



CARD GUIDE



RECORD PRINT
RETURN TO FILE

BLUE	67764-2
BLACK	67764-1
COLOR	PART NO.

NOTE: ALL DIMENSIONS REFERENCE

UNLESS OTHERWISE SPECIFIED DIM. ARE IN INCHES. TOLERANCES ON: DECIMALS ± .010 ANGLES ±	CONTRACT NO.	AMP	AMP INCORPORATED HARRISBURG, PENNSYLVANIA		
	MATERIAL: GLASS-FILLED NYLON		OR <i>Robert L. Lab 4/22/69</i>	NAME CARD GUIDE, END	
AMP INFO LOC PRINT DIST AD 251 C	HEAT TREAT H	CHK <i>E. L. Smith 6/19/69</i>	SIZE B	CODE IDENT NO. 00779	NUMBER 67764
	FINISH H	APPD <i>E. L. Smith 6/19/69</i>	SCALE 2:1	WT	CALC ACTUAL SHEET 1 OF 2

© 1969 BY AMP INCORPORATED. ALL RIGHTS RESERVED. AMP PRODUCTS COVERED BY PATENTS AND/OR PATENTS PENDING.

REVISIONS			
LTR	DESCRIPTION	DATE	APPROVED
0	Released Per NPS 9-14252	6-23-69	
A	Revised & Redrawn Per EGN TP-1432 See next page for Revisions	12-17-69	

These Card Guides are recommended for use with the TERMI-TWIST Connectors listed below

BLACK
67764-1

- 67031-7
- 67031-9
- 1-67031-3
- 1-67031-4
- 1-67031-5
- 1-67031-7
- 1-67031-8
- 2-67031-2
- 2-67031-4
- 2-67031-6
- 2-67031-7
- 2-67031-8
- 3-67031-1
- 3-67031-2
- 3-67031-3
- 3-67031-6
- 3-67031-8
- 3-67031-9
- 4-67031-1
- 4-67031-2
- 67040-1
- 67040-2
- 67040-4
- 67040-5
- 67040-6
- 67040-8
- 67686-1
- 67747-2

BLUE
67764-2

- 67031-2
- 67031-3
- 67031-5
- 67031-6
- 1-67031-0
- 1-67031-1
- 1-67031-9
- 2-67031-5
- 3-67031-4
- 4-67031-0
- 4-67031-4
- 67040
- 67040-3
- 67040-9
- 1-67040-1
- 1-67040-2
- 67077-1
- 67747-1

RECORD PRINT
RETURN TO FILE

UNLESS OTHERWISE SPECIFIED DIMENSIONS ARE IN INCHES
TOLERANCES ON:
DECIMALS ± .001
ANGLES ± .01

CONTRACT NO.
DR. *F. J. Smith* 12-17-69
CHK. *F. J. Smith*
APPD. *F. J. Smith*
REL. *F. J. Smith*
DSGN APPD.
OTHER APPD.



AMP INCORPORATED
HARRISBURG, PENNSYLVANIA

NAME
CARD GUIDE - END

SIZE A	CODE IDENT NO. 00779	NUMBER 67764
SCALE <i>1/8"</i>	SHEET 2 of 2	