



Chipsmall Limited consists of a professional team with an average of over 10 year of expertise in the distribution of electronic components. Based in Hongkong, we have already established firm and mutual-benefit business relationships with customers from,Europe,America and south Asia,supplying obsolete and hard-to-find components to meet their specific needs.

With the principle of “Quality Parts,Customers Priority,Honest Operation,and Considerate Service”,our business mainly focus on the distribution of electronic components. Line cards we deal with include Microchip,ALPS,ROHM,Xilinx,Pulse,ON,Everlight and Freescale. Main products comprise IC,Modules,Potentiometer,IC Socket,Relay,Connector.Our parts cover such applications as commercial,industrial, and automotives areas.

We are looking forward to setting up business relationship with you and hope to provide you with the best service and solution. Let us make a better world for our industry!



Contact us

Tel: +86-755-8981 8866 Fax: +86-755-8427 6832

Email & Skype: info@chipsmall.com Web: www.chipsmall.com

Address: A1208, Overseas Decoration Building, #122 Zhenhua RD., Futian, Shenzhen, China




REV	ECN NO	REVISIONS	DRN	CKD	APP	QA	CM	DATE
A	—	NEW RELEASE	BP					

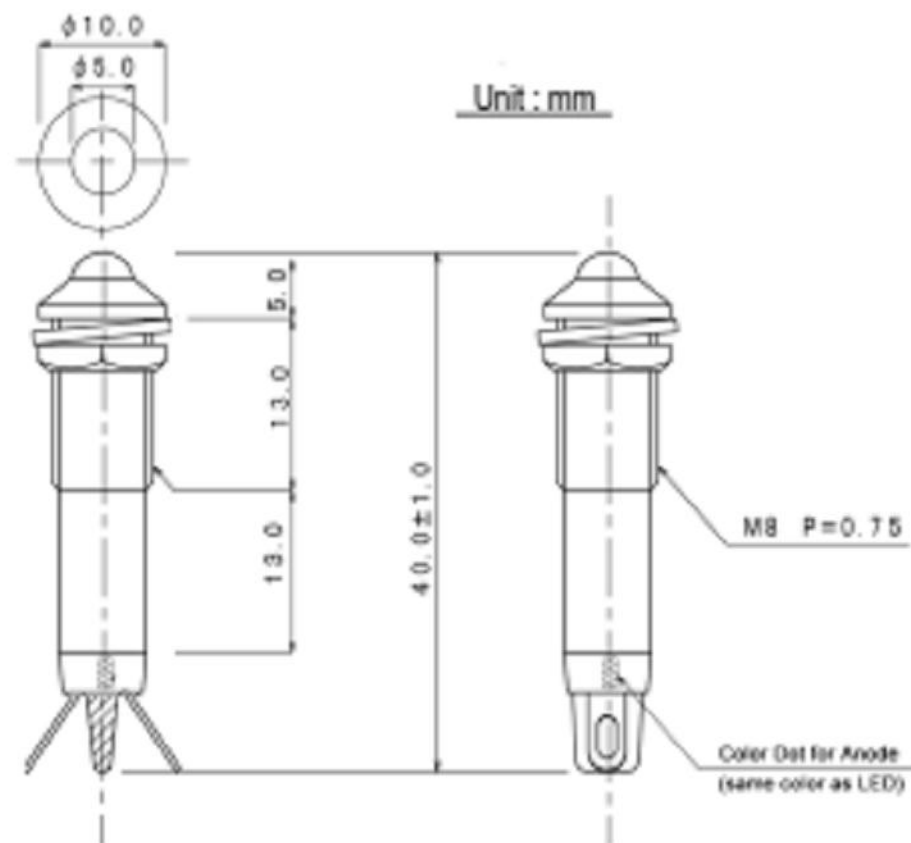
DIALIGHT PART NO.	LED COLOR	OPERATING VOLTAGE (SEE TABLE)	REFER TO FIGURE	PIECE/PART MARKING
678-3131-111F	HIGH BRIGHT RED	2V	2	DIALIGHT 2V
678-3331-113F	HIGH BRIGHT ORANGE	2V	2	
678-1131-111F	HIGH BRIGHT RED	2V	3	
678-1331-113F	HIGH BRIGHT ORANGE	2V	3	DIALIGHT 3.3V
678-3231-112F	HIGH BRIGHT GREEN	3.3V	2	
678-3431-114F	HIGH BRIGHT BLUE	3.3V	2	
678-1231-112F	HIGH BRIGHT GREEN	3.3V	3	DIALIGHT 6V
678-1431-114F	HIGH BRIGHT BLUE	3.3V	3	
678-1112-321F	HIGH BRIGHT RED	6VDC	1	
678-1115-321F	HIGH BRIGHT RED	6VDC	6	
678-1212-322F	HIGH BRIGHT GREEN	6VDC	1	
678-1215-322F	HIGH BRIGHT GREEN	6VDC	6	
678-1312-323F	HIGH BRIGHT ORANGE	6VDC	1	
678-1315-323F	HIGH BRIGHT ORANGE	6VDC	6	
678-1412-324F	HIGH BRIGHT BLUE	6VDC	1	
678-1415-324F	HIGH BRIGHT BLUE	6VDC	6	
678-1132-221F	HIGH BRIGHT RED	6VDC	4	
678-1135-221F	HIGH BRIGHT RED	6VDC	7	
678-1232-222F	HIGH BRIGHT GREEN	6VDC	4	
678-1235-222F	HIGH BRIGHT GREEN	6VDC	7	
678-1332-223F	HIGH BRIGHT ORANGE	6VDC	4	
678-1335-223F	HIGH BRIGHT ORANGE	6VDC	7	
678-1432-224F	HIGH BRIGHT BLUE	6VDC	4	
678-1435-224F	HIGH BRIGHT BLUE	6VDC	7	
678-2132-221F	HIGH BRIGHT RED	6VDC	5	
678-2135-221F	HIGH BRIGHT RED	6VDC	8	
678-2232-222F	HIGH BRIGHT GREEN	6VDC	5	
678-2235-222F	HIGH BRIGHT GREEN	6VDC	8	
678-2332-223F	HIGH BRIGHT ORANGE	6VDC	5	
678-2335-223F	HIGH BRIGHT ORANGE	6VDC	8	
678-2432-224F	HIGH BRIGHT BLUE	6VDC	5	
678-2435-224F	HIGH BRIGHT BLUE	6VDC	8	
678-1112-331F	HIGH BRIGHT RED	12VDC	1	DIALIGHT 12V
678-1115-331F	HIGH BRIGHT RED	12VDC	6	
678-1212-332F	HIGH BRIGHT GREEN	12VDC	1	
678-1215-332F	HIGH BRIGHT GREEN	12VDC	6	
678-1312-333F	HIGH BRIGHT ORANGE	12VDC	1	
678-1315-333F	HIGH BRIGHT ORANGE	12VDC	6	
678-1412-334F	HIGH BRIGHT BLUE	12VDC	1	
678-1415-334F	HIGH BRIGHT BLUE	12VDC	6	
678-1132-231F	HIGH BRIGHT RED	12VDC	4	
678-1135-231F	HIGH BRIGHT RED	12VDC	7	
678-1232-232F	HIGH BRIGHT GREEN	12VDC	4	
678-1235-232F	HIGH BRIGHT GREEN	12VDC	7	
678-1332-233F	HIGH BRIGHT ORANGE	12VDC	4	
678-1335-233F	HIGH BRIGHT ORANGE	12VDC	7	
678-1432-234F	HIGH BRIGHT BLUE	12VDC	4	
678-1435-234F	HIGH BRIGHT BLUE	12VDC	7	
678-2132-231F	HIGH BRIGHT RED	12VDC	5	
678-2135-231F	HIGH BRIGHT RED	12VDC	8	
678-2232-232F	HIGH BRIGHT GREEN	12VDC	5	
678-2235-232F	HIGH BRIGHT GREEN	12VDC	8	
678-2332-233F	HIGH BRIGHT ORANGE	12VDC	5	

DIALIGHT PART NO.	LED COLOR	OPERATING VOLTAGE (SEE TABLE)	REFER TO FIGURE	PIECE/PART MARKING
678-2335-233F	HIGH BRIGHT ORANGE	12VDC	8	DIALIGHT 12V
678-2432-234F	HIGH BRIGHT BLUE	12VDC	5	
678-2435-234F	HIGH BRIGHT BLUE	12VDC	8	
678-1112-341F	HIGH BRIGHT RED	24VDC	1	DIALIGHT 24V
678-1115-341F	HIGH BRIGHT RED	24VDC	6	
678-1212-342F	HIGH BRIGHT GREEN	24VDC	1	
678-1215-342F	HIGH BRIGHT GREEN	24VDC	6	
678-1312-343F	HIGH BRIGHT ORANGE	24VDC	1	
678-1315-343F	HIGH BRIGHT ORANGE	24VDC	6	
678-1412-344F	HIGH BRIGHT BLUE	24VDC	1	
678-1415-344F	HIGH BRIGHT BLUE	24VDC	6	
678-1132-241F	HIGH BRIGHT RED	24VDC	4	
678-1135-241F	HIGH BRIGHT RED	24VDC	7	
678-1232-242F	HIGH BRIGHT GREEN	24VDC	4	
678-1235-242F	HIGH BRIGHT GREEN	24VDC	7	
678-1332-243F	HIGH BRIGHT ORANGE	24VDC	4	
678-1335-243F	HIGH BRIGHT ORANGE	24VDC	7	
678-1432-244F	HIGH BRIGHT BLUE	24VDC	4	
678-1435-244F	HIGH BRIGHT BLUE	24VDC	7	
678-2132-241F	HIGH BRIGHT RED	24VDC	5	
678-2135-241F	HIGH BRIGHT RED	24VDC	8	
678-2232-242F	HIGH BRIGHT GREEN	24VDC	5	
678-2235-242F	HIGH BRIGHT GREEN	24VDC	8	
678-2332-243F	HIGH BRIGHT ORANGE	24VDC	5	
678-2335-243F	HIGH BRIGHT ORANGE	24VDC	8	
678-2432-244F	HIGH BRIGHT BLUE	24VDC	5	
678-2435-244F	HIGH BRIGHT BLUE	24VDC	8	

RoHS COMPLIANT C18279

Part Numbers with the "F" suffix ending are RoHS Compliant. Packaging is marked with "RoHS Compliant" label or equivalent markings. Parts can be wave soldered, dip soldered or hand soldered using typical lead-free soldering process with max 260°C temp. for 5 sec.

THIS DRAWING AND THE CONTENTS HEREIN ARE CONFIDENTIAL AND THE SOLE PROPERTY OF DIALIGHT. REPRODUCTION OF THIS DRAWING OR CONSTRUCTION OF ANY PARTS WITHIN THIS DRAWING ARE FORBIDDEN WITHOUT THE WRITTEN CONSENT OF DIALIGHT.		
SCALE: 3.000 ALL DIM'S IN: INCHES (MM)	DRAWING NUMBER C-18279	REV A
TOLERANCES: UNLESS OTHERWISE SPECIFIED FRACTIONS: ±1/64 DECIMALS (.XX): ±.01 DECIMALS (.XXX): ±.005 DECIMALS (.XXXX): ±.0005 ANGLES: ±1°	TITLE 8mm HIGH BRIGHT LED PMI	
FINISH: -	MATERIAL —	
FSCM 83330	 1501 ROUTE 34 SOUTH FARMINGDALE, NJ 07727	
SHEET 1 OF 4 FAMILY TABLE:		



Mounting Hole: Ø5.5

Unit: mm

FIGURE 1

NOTES:

1, MOUNTING HOLE SIZE: FIG 1 AND 6: 0.335" (8.5 MM)
 FIG 2 AND 3: 0.323" (8.2 MM)
 SEE FIGURE 4,5,7 AND 8 FOR SNAP-INS

2, MAX PANEL THICKNESS: FIG 1 AND 6: 0.3158" (8.0 MM)
 FIG 2 AND 3: 0.2165" (5.5 MM)
 FIG 4,5,7 AND 8: 0.197" (5 MM)

3, MATERIALS:

- 3.1, METAL HOUSING: BRASS, CHROME PLATED BLACK PAINT COATING.
- 3.2, MOUNTING HEX NUT: BRASS, NICKEL PLATED.
- 3.3, SPLIT LOCK WASHER: STEEL, UNI-CHROME PLATED.
- 3.4, HEADER/INSULATOR: POLYCARBONATE, COLOR: BLACK

4, SOLDERABILITY: PER ANSI/IPC-S-805, METHOD A.

5, RECOMENDED MOUNTING TORQUE:

- FIG 1,2,4 AND 5: 0.362 LBS/FT (5 KG/CM)
- FIG 3 AND 6: 0.217 LBS/FT (3 KG/CM)

RoHS COMPLIANT C18279

Part Numbers with the "F" suffix ending are RoHS Compliant. Packaging is marked with "RoHS Compliant" label or equivalent markings. Parts can be wave soldered, dip soldered or hand soldered using typical lead-free soldering process with max 260°C temp. for 5 sec.

LED Specifications

Color	Absolute Maximum Ratings					IF: 20mA Electro-Optical Characteristics					
	Forward Current IF (mA)	Reverse Voltage VR (V)	Power Dissipation PD (mW)	Operating Temp. Topr (°C)	Storage Temp. Tstg (°C)	Forward Voltage VF (V)	Reverse Current IR (µA)	Luminous Intensity Iv (mcd)	Wave Length λ d (nm)	LineHalf-width Δλ (nm)	Angle (Ref.) 2θ 1/2
Red	30	10	72	-30 ~ +85	-40 ~ +100	2.05	10	2100	624	20	30
Green	30	7	108	-30 ~ +85	-40 ~ +100	3.3	10	25000	525	30	30
Orange	30	10	72	-30 ~ +85	-40 ~ +100	2.05	10	2000	605	17	30
Blue	30	7	108	-30 ~ +85	-40 ~ +100	3.3	10	5400	470	22	30
White	30	7	105	-30 ~ +85	-40 ~ +100	3.1	5	17000	**x = 0.32, y=0.32		30

THIS DRAWING AND THE CONTENTS HEREIN ARE CONFIDENTIAL AND THE SOLE PROPERTY OF DIALIGHT. REPRODUCTION OF THIS DRAWING OR CONSTRUCTION OF ANY PARTS WITHIN THIS DRAWING ARE FORBIDDEN WITHOUT THE WRITTEN CONSENT OF DIALIGHT.

SCALE: 3.000 ALL DIM'S IN: INCHES (MM)	DRAWING NUMBER C-18279	REV A
TOLERANCES: UNLESS OTHERWISE SPECIFIED FRACTIONS: ±1/64 DECIMALS (.XX): ±.02 DECIMALS (.XXX): ±.015	TITLE 8mm HIGH BRIGHT LED PMI	
ANGLES: ±3° FINISH:	MATERIAL —	
FSCM 83330	1501 ROUTE 34 SOUTH FARMINGDALE, NJ 07727	
SHEET 2 OF 4 FAMILY TABLE:		

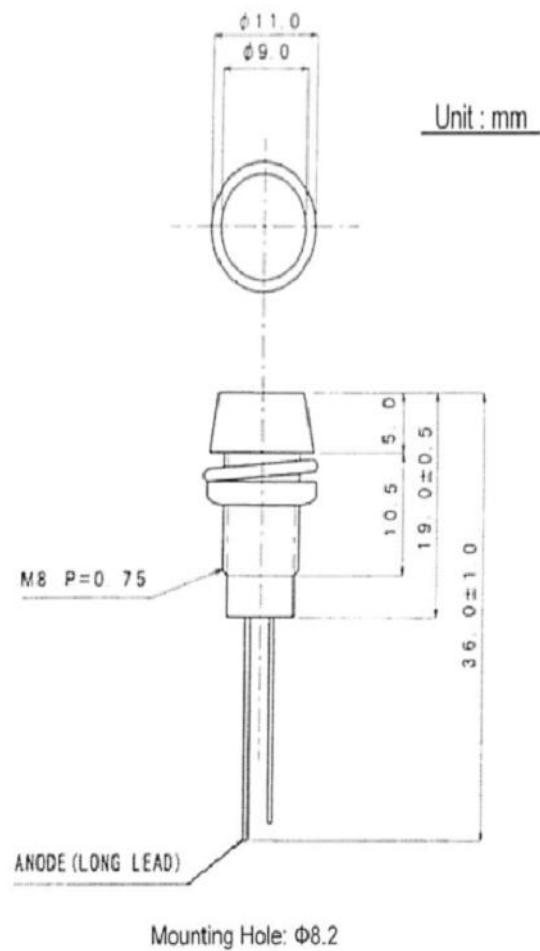


FIGURE 2

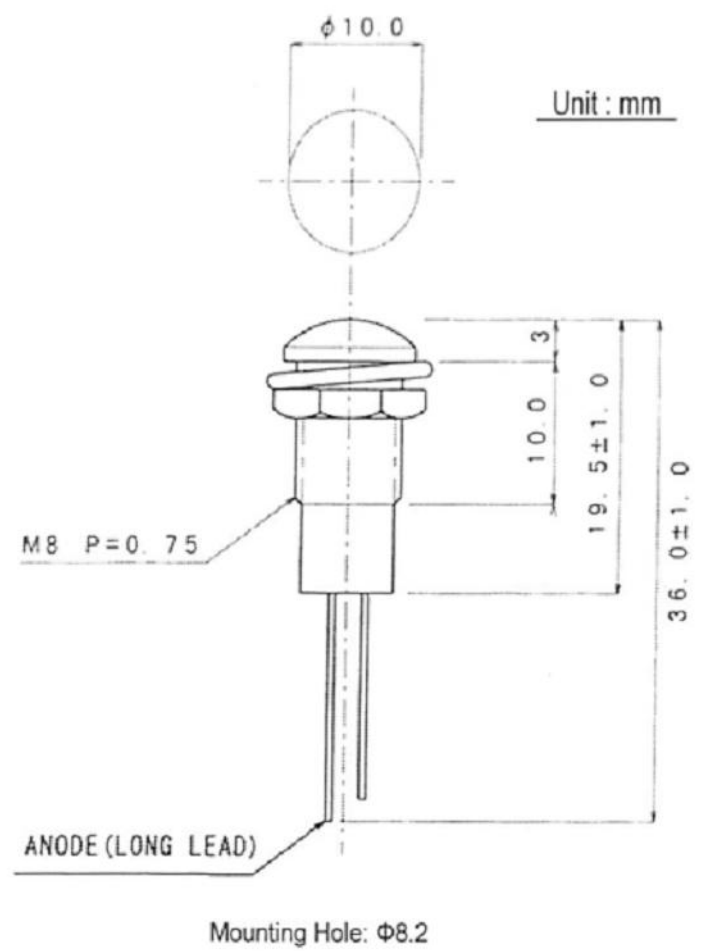


FIGURE 3

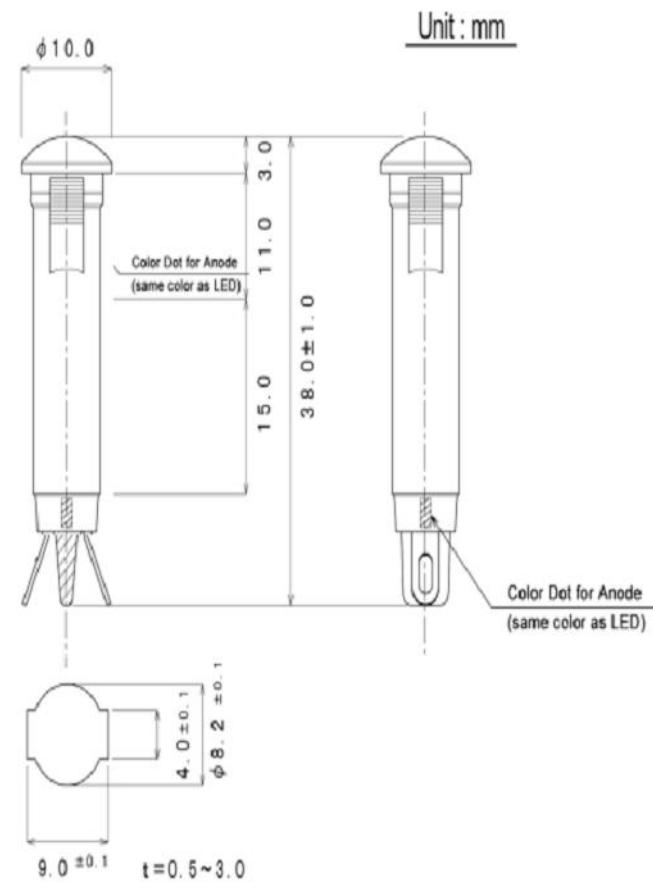


FIGURE 4

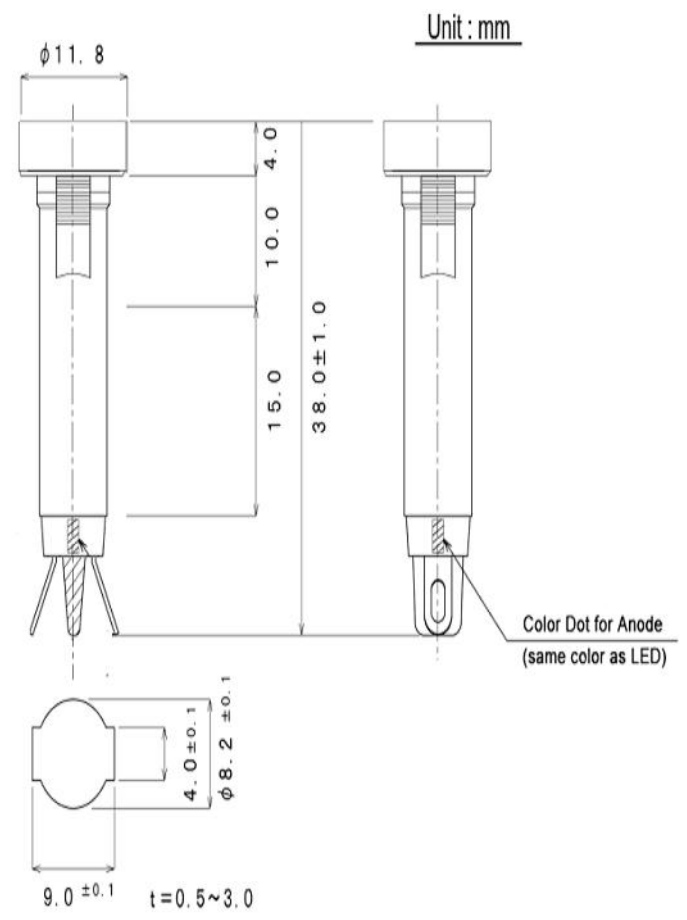



FIGURE 5

THIS DRAWING AND THE CONTENTS HEREIN ARE CONFIDENTIAL AND THE SOLE PROPERTY OF DIALIGHT. REPRODUCTION OF THIS DRAWING OR CONSTRUCTION OF ANY PARTS WITHIN THIS DRAWING ARE FORBIDDEN WITHOUT THE WRITTEN CONSENT OF DIALIGHT.		
SCALE: 3.000 ALL DIM'S IN: INCHES (MM)	DRAWING NUMBER C-18279	REV A
TOLERANCES: UNLESS OTHERWISE SPECIFIED FRACTIONS: ±1/64 DECIMALS (.XX): ±.01 DECIMALS (.XXX): ±.005 DECIMALS (.XXXX): ±.0005 ANGLES: ±1°	TITLE 8mm HIGH BRIGHT LED PMI	
FINISH: -	MATERIAL -	
FSCM 83330	 1501 ROUTE 34 SOUTH FARMINGDALE, NJ 07727	
SHEET 3 OF 4		FAMILY TABLE:

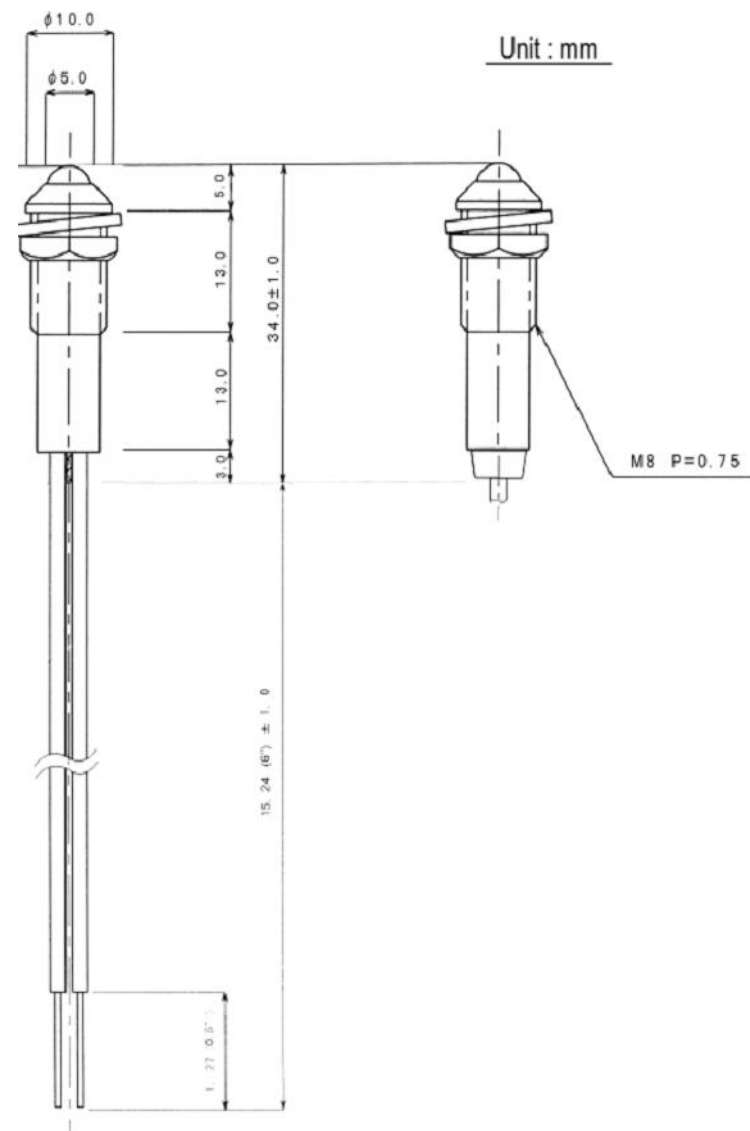


FIGURE 6

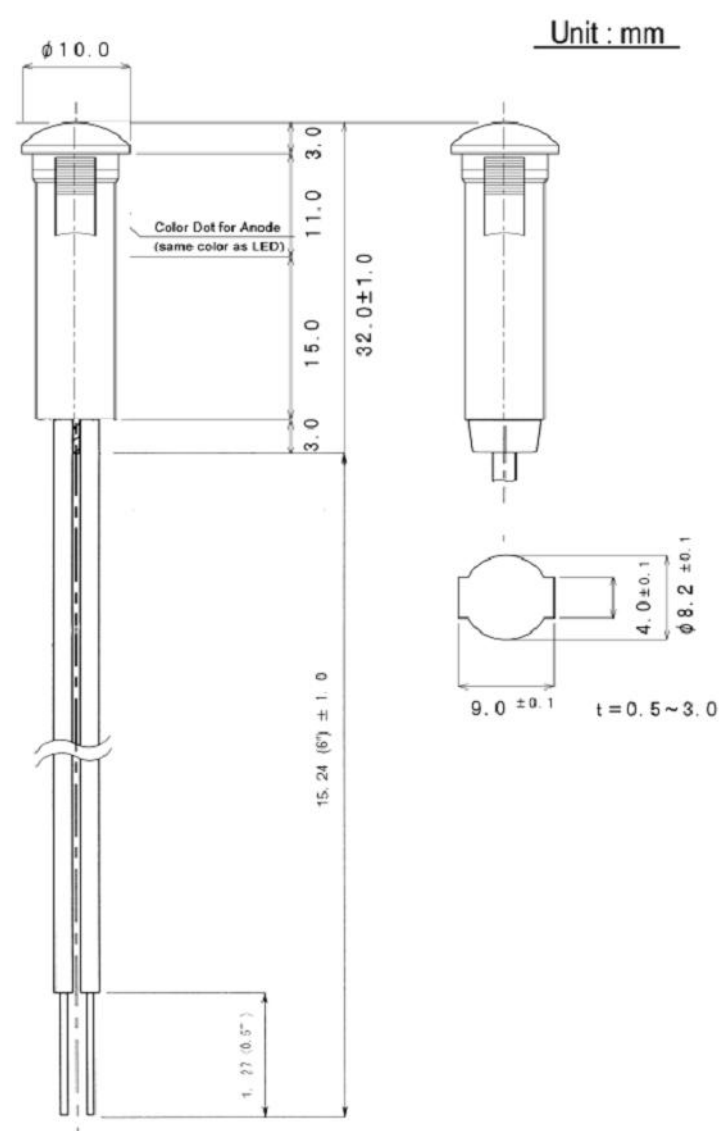


FIGURE 7

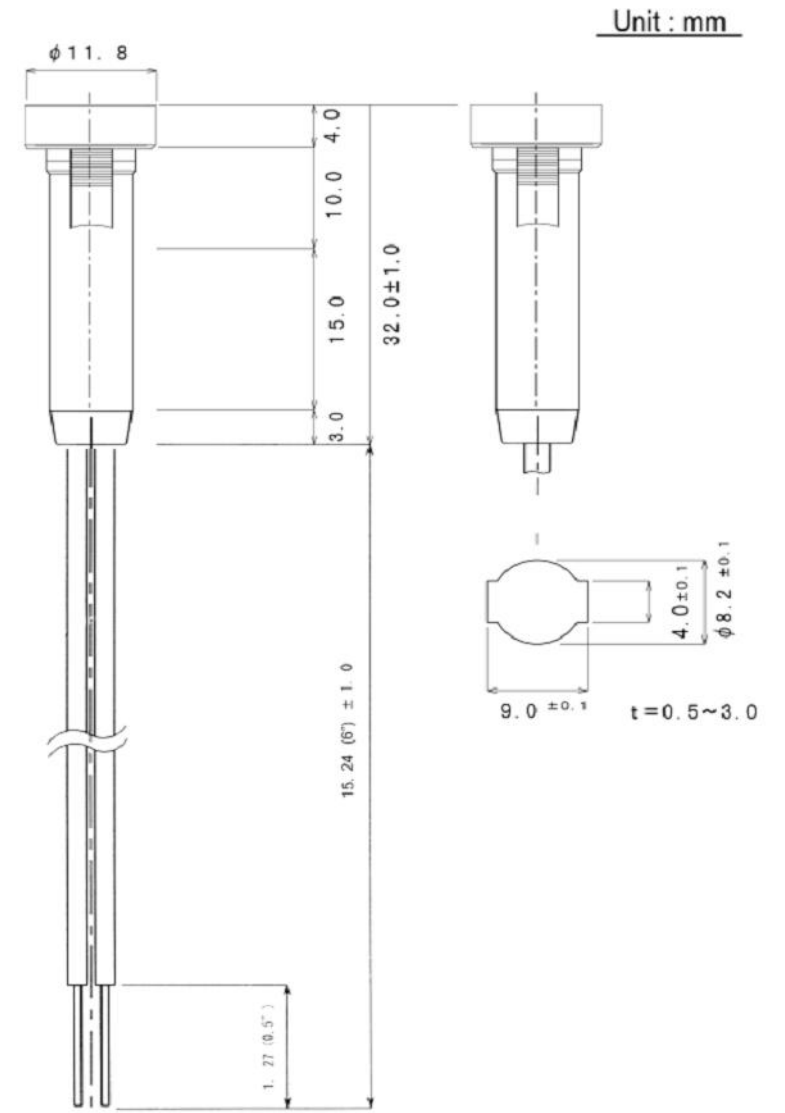



FIGURE 8

THIS DRAWING AND THE CONTENTS HEREIN ARE CONFIDENTIAL AND THE SOLE PROPERTY OF DIALIGHT. REPRODUCTION OF THIS DRAWING OR CONSTRUCTION OF ANY PARTS WITHIN THIS DRAWING ARE FORBIDDEN WITHOUT THE WRITTEN CONSENT OF DIALIGHT.		
SCALE: DRAWING SCALE ALL DIM'S IN: INCHES (MM)	DRAWING NUMBER C-18279	REV A
TOLERANCES: UNLESS OTHERWISE SPECIFIED FRACTIONS: ±1/64 DECIMALS (.XX): ±.01 DECIMALS (.XXX): ±.005 DECIMALS (.XXXX): ±.0005 ANGLES: ±1°	TITLE 8mm HIGH BRIGHT LED PMI	
FINISH:	MATERIAL	
FSCM 83330	 1501 ROUTE 34 SOUTH FARMINGDALE, NJ 07727	
SHEET 4 OF 4		FAMILY TABLE: