



Chipsmall Limited consists of a professional team with an average of over 10 year of expertise in the distribution of electronic components. Based in Hongkong, we have already established firm and mutual-benefit business relationships with customers from,Europe,America and south Asia,supplying obsolete and hard-to-find components to meet their specific needs.

With the principle of “Quality Parts,Customers Priority,Honest Operation,and Considerate Service”,our business mainly focus on the distribution of electronic components. Line cards we deal with include Microchip,ALPS,ROHM,Xilinx,Pulse,ON,Everlight and Freescale. Main products comprise IC,Modules,Potentiometer,IC Socket,Relay,Connector.Our parts cover such applications as commercial,industrial, and automotives areas.

We are looking forward to setting up business relationship with you and hope to provide you with the best service and solution. Let us make a better world for our industry!



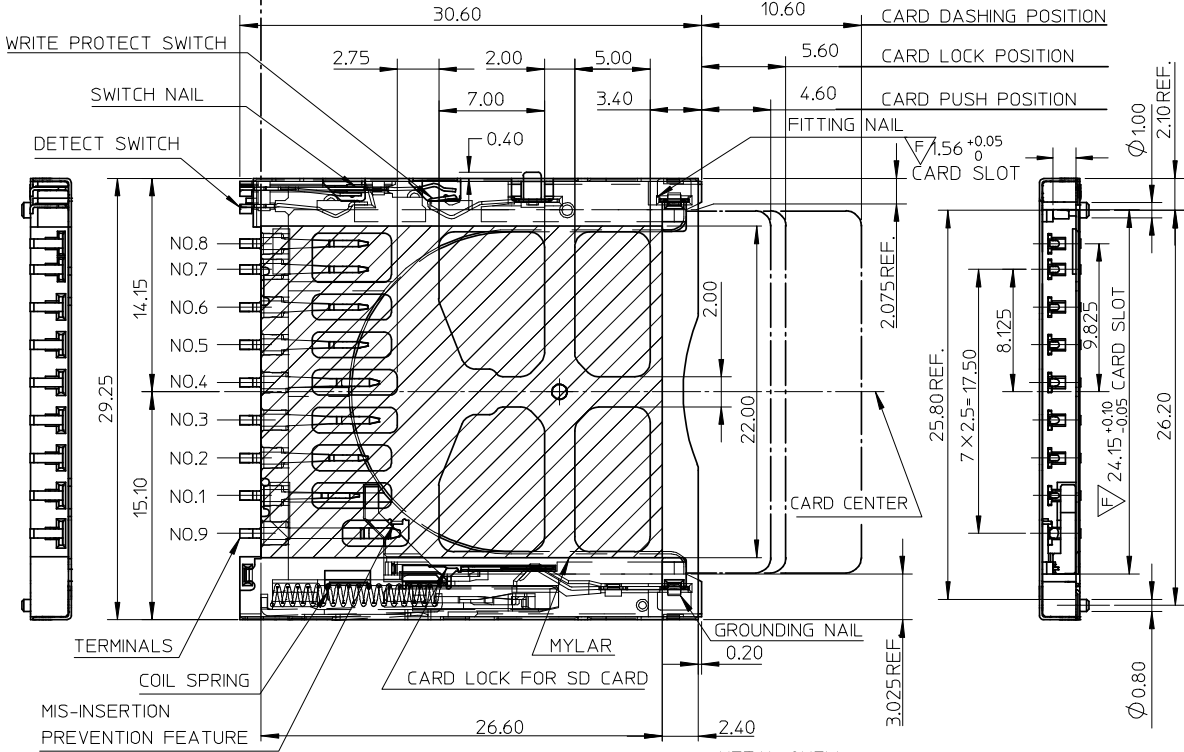
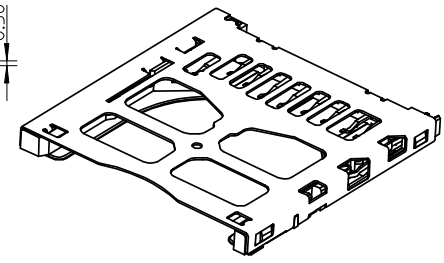
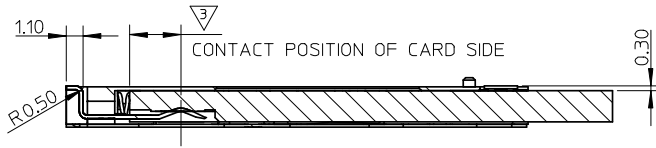
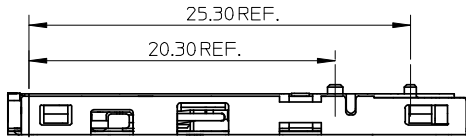
Contact us

Tel: +86-755-8981 8866 Fax: +86-755-8427 6832

Email & Skype: info@chipsmall.com Web: www.chipsmall.com

Address: A1208, Overseas Decoration Building, #122 Zhenhua RD., Futian, Shenzhen, China





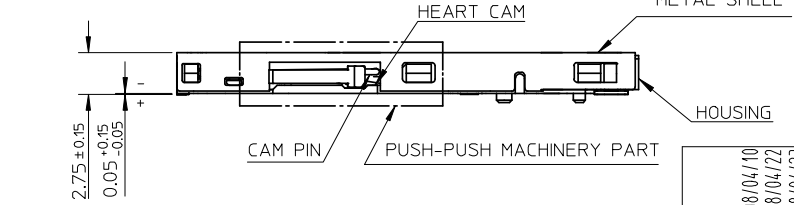
- NOTES:
- HOUSING: HIGH TEMPERATURE THERMOPLASTIC.
COLOR: BLACK
TERMINAL: COPPER ALLOY, SELECTIVE Au PLATING
METAL SHELL: STAINLESS STEEL
EACH SWITCHES: COPPER ALLOY, SELECTIVE Au PLATING.
EACH NAILS: COPPER ALLOY, SELECTIVE AU PLATING.
COIL SPRING: STEEL WIRE.
CAM PIN: STAINLESS STEEL
 - TERMINAL AND NAIL COPLANARITY TO BE 0.1MAX
 - CONTACT POSITION OF CARD SIDE

TERMINAL NO.	CONTACT POSITION
NO.1	2.4
NO.2,5,6,7,8	2.9
NO.3,4	3.4
NO.9	5.2

4.OPEN/CLOSE OF EACH SWITCH

	PROTECT TERMINAL		DETECT TERMINAL
	WRITE PROTECT POSITION	WRITE ENABLE POSITION	
CARD UNINSERTION	OPEN	OPEN	OPEN
CARD HALF INSERTION	CLOSE	CLOSE	OPEN
CARD INSERTION	OPEN	CLOSE	CLOSE

- WHEN DELIVERING, THE PUSH/PUSH MECHANISM IS IN THE STATE OF THE UNLOCK.(CARD DASHING OUT POSITION)
- CARD READ ONLY BY THE TIME THE CARD DETECTION.
- I/O CONTACTS, BASED ON SD I/O ASSOC. REV.G.
- PRODUCT SPECIFICATION REFER TO PS-67913-002.



PART NO.	DESCRIPTION	REMARK
67913-0011	TIN-LEAD	FOR SD ONLY
67913-8011	LEAD-FREE	
67913-0008	TIN-LEAD	SD/MMC
67913-8008	LEAD-FREE	

REVISED
EC NO: SH2008-0499
DRWNL:SONG09 2008/04/10
CHKD:JTIAN 2008/04/22
APPR:HWANG 2008/04/23

QUALITY SYMBOLS
▽=0
▽C=0

GENERAL TOLERANCES (UNLESS SPECIFIED)

	mm	INCH
4 PLACES	± ---	± ---
3 PLACES	± ---	± ---
2 PLACES	± 0.25	± ---
1 PLACE	± 0.25	± ---
ANGULAR ± 3 °		

DRAFT WHERE APPLICABLE MUST REMAIN WITHIN DIMENSIONS

DIMENSION STYLE
MM ONLY

DRAWN BY: MAX
DATE: 2003/02/13

CHECKED BY: WILSON
DATE: 2003/02/13

APPROVED BY: ERICK
DATE: 2003/02/13

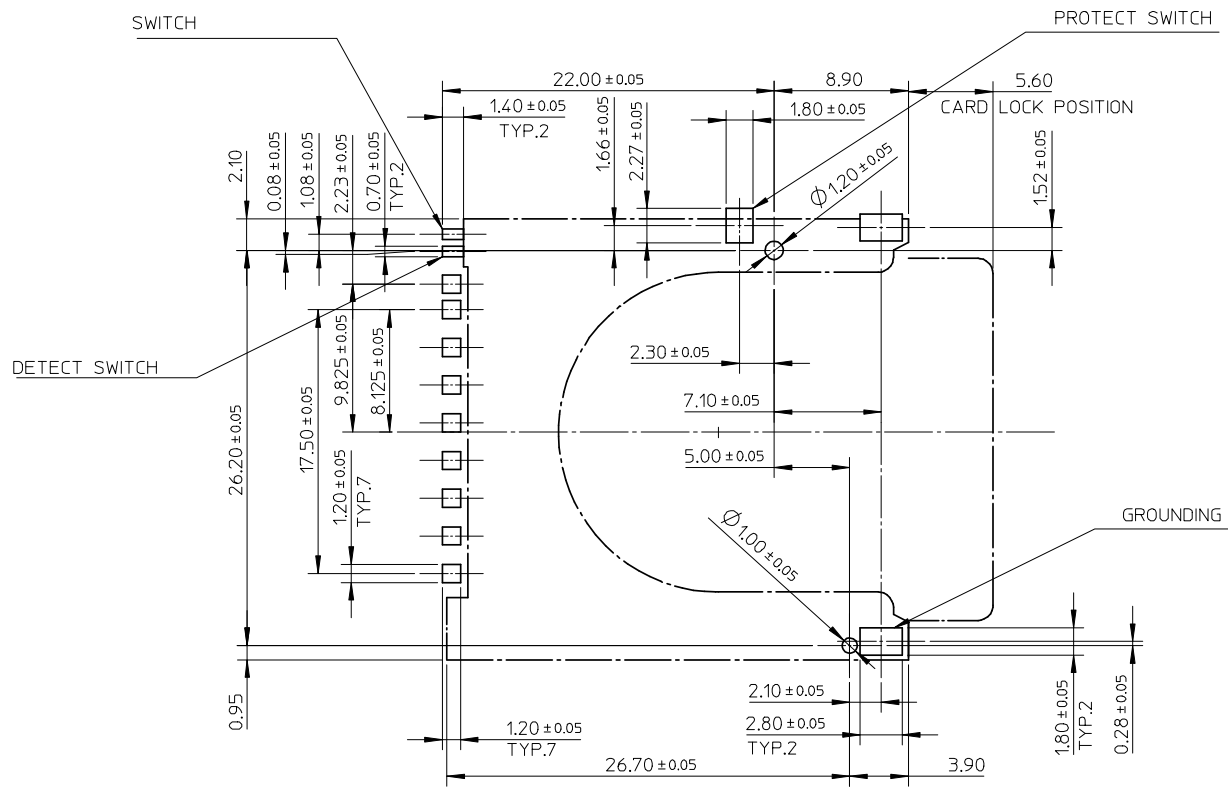
MATERIAL NO. SEE TABLE

SCALE 3:1
DESIGN UNITS METRIC
THIRD ANGLE PROJECTION

SD/IO CARD CONN.
REVERSE TYPE WITH
PUSH PUSH

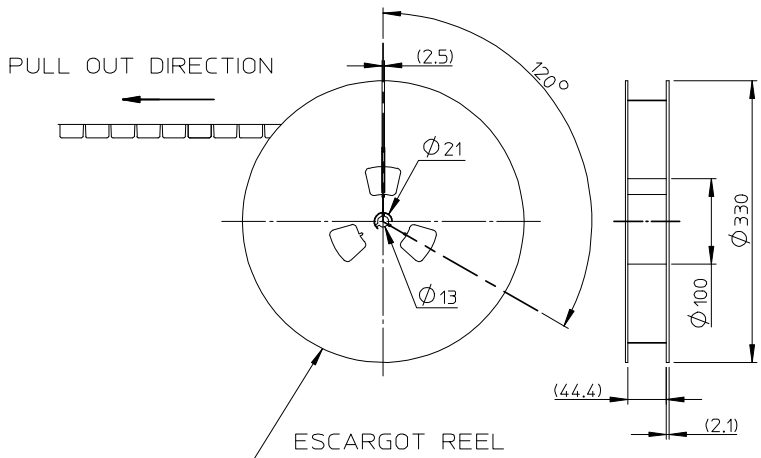
MOLEX INCORPORATED
DOCUMENT NO. SD-67913-011
SHEET NO. 1 OF 3

THIS DRAWING CONTAINS INFORMATION THAT IS PROPRIETARY TO MOLEX INCORPORATED AND SHOULD NOT BE USED WITHOUT WRITTEN PERMISSION



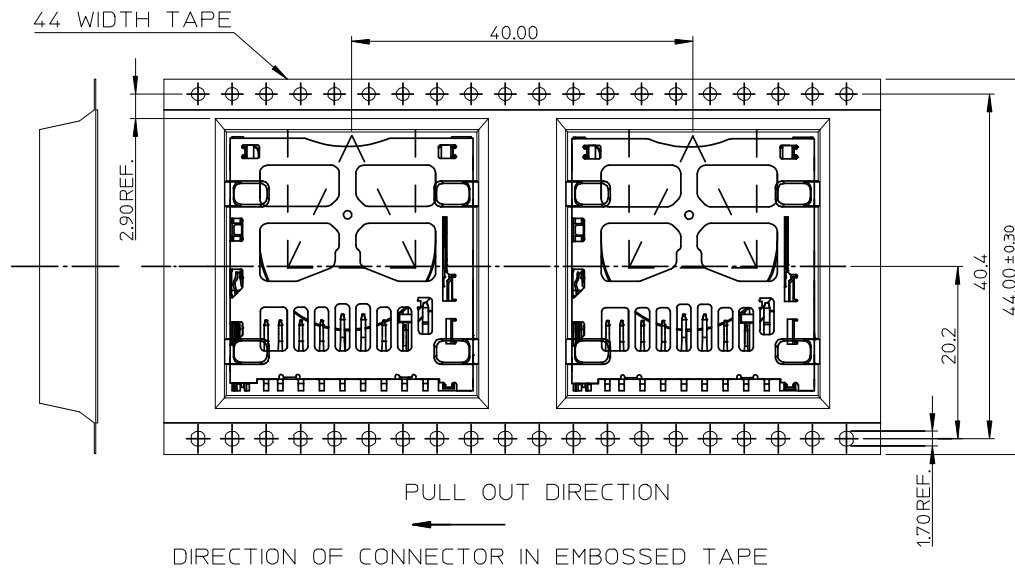
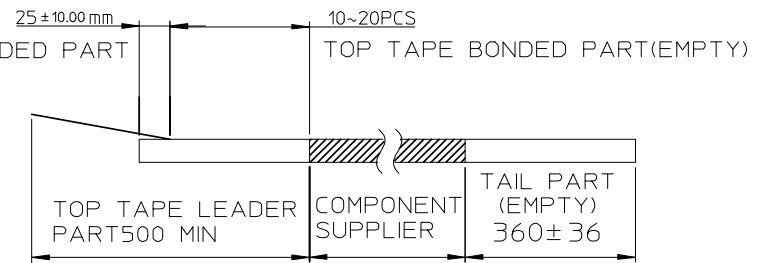
RECOMMENDED P.C.B LAYOUT DIMENSION

REVISED EC NO: SH2008-0499 DRWNL: SONG09 CHKD: J. IAN APPR: H. WANG 2008/04/10 2008/04/22 2008/04/23	DESCRIPTION T1	QUALITY SYMBOLS	GENERAL TOLERANCES (UNLESS SPECIFIED)	DIMENSION STYLE	SCALE	DESIGN UNITS	THIRD ANGLE PROJECTION
		▼=0 ∇=0	mm INCH 4 PLACES ± --- ± --- 3 PLACES ± --- ± --- 2 PLACES ± 0.25 ± --- 1 PLACE ± 0.25 ± --- ANGULAR ± 3 °	MM ONLY	3:1	METRIC	☉ ▢ THIRD ANGLE PROJECTION
		DRAWN BY: MAX CHECKED BY: WILSON APPROVED BY: ERICK	DATE: 2003/02/13 DATE: 2003/02/13 DATE: 2003/02/13	TITLE: SD/IO CARD CONN. REVERSE TYPE WITH PUSH PUSH			
		MATERIAL NO. SEE SHEET 1 SIZE: A3	DOCUMENT NO. SD-67913-011 SHEET NO. 2 OF 3	MOLEX INCORPORATED THIS DRAWING CONTAINS INFORMATION THAT IS PROPRIETARY TO MOLEX INCORPORATED AND SHOULD NOT BE USED WITHOUT WRITTEN PERMISSION			

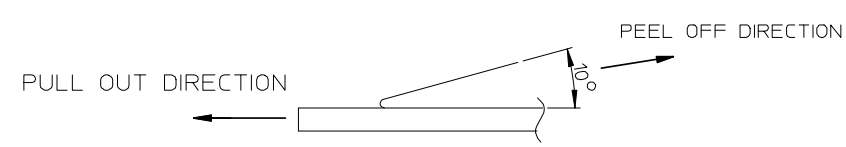


NOTES

1. NUMBER OF CONNECTORS: 300 PCS/REEL
- 2.



3. PEEL OFF FORCE OF TOP TAPE: 0.1~1.3 N (10.2~130gf)
PEELING DIRECTION AS SHOWN IN FOLLOWING FIG.)
(PEEL OFF SPEED: 300mm/min.REF.)



4. PACKAGING DRAWING REFERS TO PK-67913-001.

REVISED EC NO: SH2008-0499 DR: WNLSONG09 CHKD: JTIAN APPR: HWANG	DESCRIPTION 2008/04/10 2008/04/12 2008/04/23	QUALITY SYMBOLS	GENERAL TOLERANCES (UNLESS SPECIFIED)	DIMENSION STYLE	SCALE	DESIGN UNITS	THIRD ANGLE PROJECTION
		▽=0 □=0	mm INCH 4 PLACES ± --- ± --- 3 PLACES ± --- ± --- 2 PLACES ± 0.25 ± --- 1 PLACE ± 0.25 ± --- ANGULAR ± 3 °	MM ONLY	1:1	METRIC	DRAWN BY: MAX CHECKED BY: WILSON APPROVED BY: ERICK DATE: 2003/02/13
		DRAFT WHERE APPLICABLE MUST REMAIN WITHIN DIMENSIONS	SEE SHEET 1	TITLE SD/IO CARD CONN. REVERSE TYPE WITH PUSH PUSH	MOLEX INCORPORATED DOCUMENT NO. SD-67913-011	SHEET NO. 3 OF 3	
		THIS DRAWING CONTAINS INFORMATION THAT IS PROPRIETARY TO MOLEX INCORPORATED AND SHOULD NOT BE USED WITHOUT WRITTEN PERMISSION					