



Chipsmall Limited consists of a professional team with an average of over 10 year of expertise in the distribution of electronic components. Based in Hongkong, we have already established firm and mutual-benefit business relationships with customers from,Europe,America and south Asia,supplying obsolete and hard-to-find components to meet their specific needs.

With the principle of "Quality Parts,Customers Priority,Honest Operation,and Considerate Service",our business mainly focus on the distribution of electronic components. Line cards we deal with include Microchip,ALPS,ROHM,Xilinx,Pulse,ON,Everlight and Freescale. Main products comprise IC,Modules,Potentiometer,IC Socket,Relay,Connector.Our parts cover such applications as commercial,industrial, and automotives areas.

We are looking forward to setting up business relationship with you and hope to provide you with the best service and solution. Let us make a better world for our industry!



## Contact us

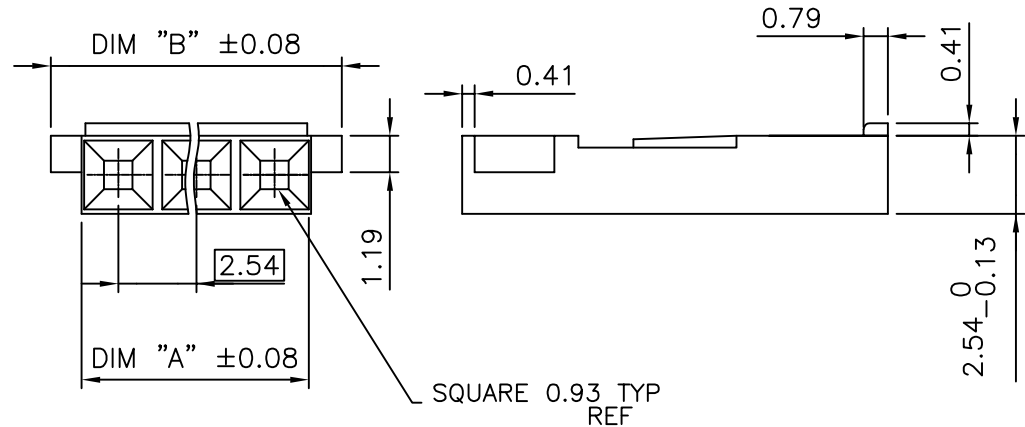
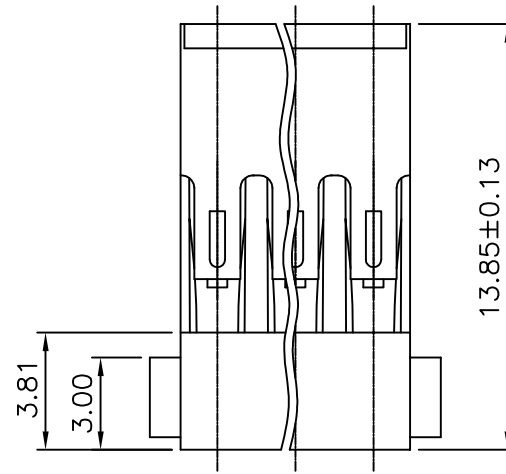
Tel: +86-755-8981 8866 Fax: +86-755-8427 6832

Email & Skype: info@chipsmall.com Web: www.chipsmall.com

Address: A1208, Overseas Decoration Building, #122 Zhenhua RD., Futian, Shenzhen, China



PRODUCT NUMBER	No. OF POS.	DIM "A"	DIM "B"
67954-001LF	1x02	4.93	6.93
67954-002LF	1x03	7.47	9.47
67954-003LF	1x04	10.01	12.01



NOTES:

- MOLDING MATERIAL : POLYAMID (PA 66), COLOR BLACK 25% GLASS FILLED, UL 94 V0
- STANDARD PACKAGING IN POLYBAGS
- TERMINALS MUST BE CRIMPED PROPERLY FOR SATISFACTORY LATCHING :  
 - FOR CRIMPING INSTRUCTIONS, SEE TA-75  
 - FOR TERMINAL APPLICATION SEE TA-531.  
 PRODUCT SPECIFICATION: BUS-12-067.
- THIS HOUSING IS INTENDED FOR USE WITH MINI PV TERMINAL WITH 22-36 GAUGE WIRE
- PRODUCT MEETS EUROPEAN UNION DIRECTIVES AND OTHER COUNTRY REGULATIONS AS DESCRIBED IN GS-22-008.
- THE PRODUCT IS NOT INTENDED TO BE EXPOSED TO A MANUFACTURING SOLDER PROCESS.

mat'l. code		surface	tolerance	projection	product family
SEE NOTES		ISO 1302	ISO 406 ISO 1101		BERCONN
ltr	ecn no	dr	date	title	
H	v07-0532	HTB	07.08.16	MINI LATCH SR	
J	F11-0099	LMU	11.09.05	POLARIZED HSG 2.54mm	
		angles	linear	mm	scale 5:1
		dr	L.MULIN	11.05.19	FCJ
		enr	L.MULIN	11.05.19	dwg no
		chr			sheet 1 of 1 size
		appd	L.MU	11.05.19	67954 A3
sheet	revision	type			
index	sheet	CUSTOMER Drawing			