



Chipsmall Limited consists of a professional team with an average of over 10 year of expertise in the distribution of electronic components. Based in Hongkong, we have already established firm and mutual-benefit business relationships with customers from,Europe,America and south Asia,supplying obsolete and hard-to-find components to meet their specific needs.

With the principle of “Quality Parts,Customers Priority,Honest Operation,and Considerate Service”,our business mainly focus on the distribution of electronic components. Line cards we deal with include Microchip,ALPS,ROHM,Xilinx,Pulse,ON,Everlight and Freescale. Main products comprise IC,Modules,Potentiometer,IC Socket,Relay,Connector.Our parts cover such applications as commercial,industrial, and automotives areas.

We are looking forward to setting up business relationship with you and hope to provide you with the best service and solution. Let us make a better world for our industry!



Contact us

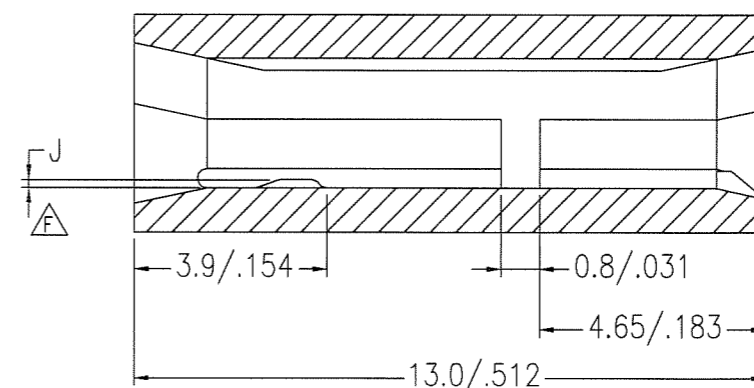
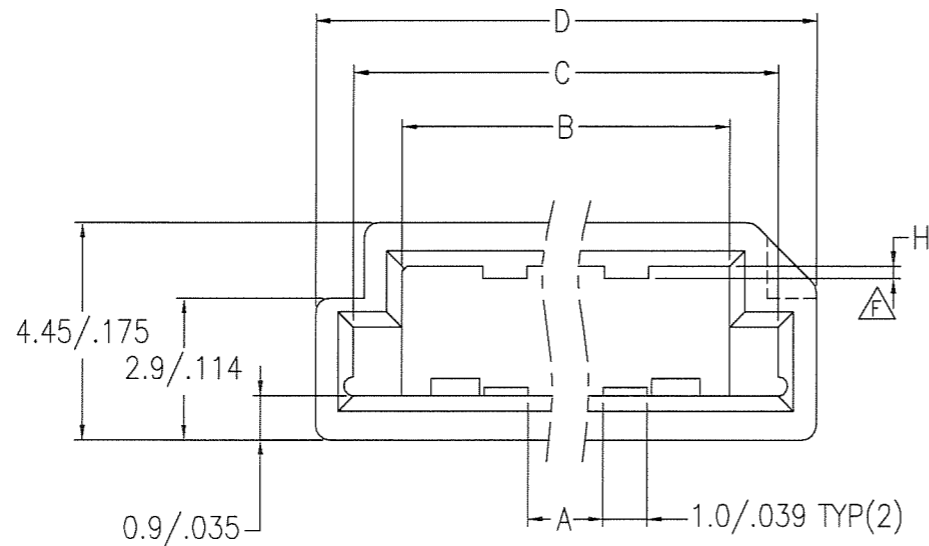
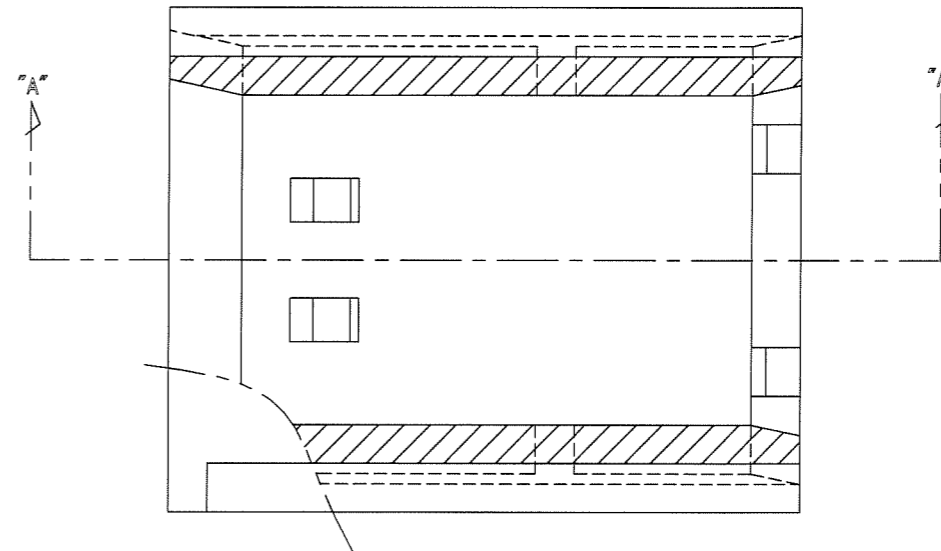
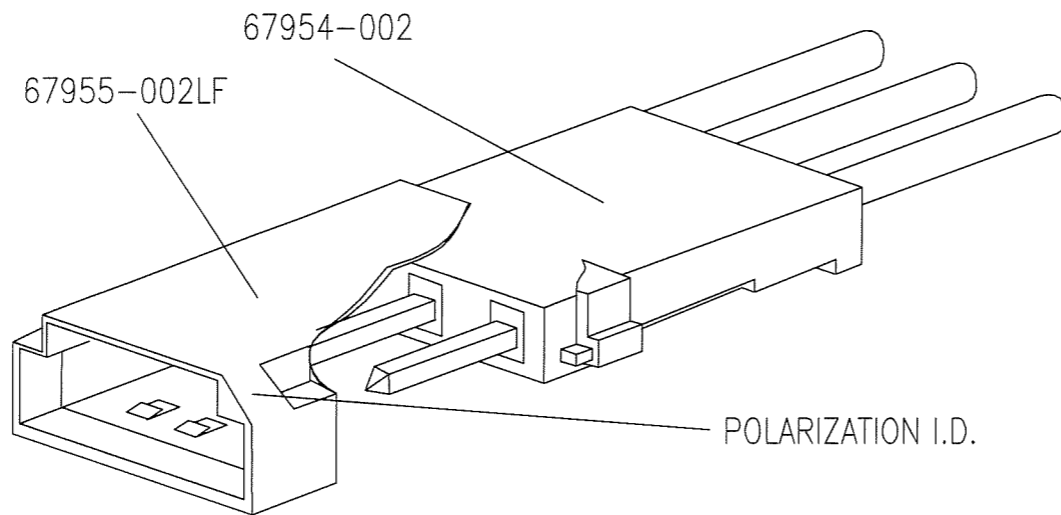
Tel: +86-755-8981 8866 Fax: +86-755-8427 6832

Email & Skype: info@chipsmall.com Web: www.chipsmall.com

Address: A1208, Overseas Decoration Building, #122 Zhenhua RD., Futian, Shenzhen, China



PRODUCT NO.	MATERIAL
67955-XXXLF	PLAIN NORIL, COLOR: BLACK, UL94V-1
67955-XXXHLF	Zytel: FR-50, COLOR: BLACK, UL94V-0



SECT "A" - "A"

mat'l. code		surface		tolerance		projection		product family		CODE	
---		iso 1302		iso 406		ISO 1101		5NGF - PV HOUSINGS		JP	
litr description		ecn no		dr date		tolerances unless otherwise specified		title		sheet 1 of 2 size	
D REVISED		J05-0525		R.S 2005-8-19		angles 0.X ±0.25		POLARIZED M/L HSG SHROUD		5	
E REVISED		J06-0279		R.S 2006-7-25		linear 0.XX ±0.25				A3	
F REVISED		J10-0121		S.W 2010-5-20		0°±2'		scale 1:1		Rev. F	
sheet index		revision sheet		F C		dr		type PRODUCT CUSTOMER Drawing		Rev. F	
1 1						enr					
						chr					
						appd					

67955-003LF	4	5.08/.200	10.27/.404	12.27/.483	13.84/.545		
67955-003HLF							
67955-002LF	3	2.54/.100	7.73/.304	9.73/.383	11.3/.445	0.25/.010	0.17/.007
67955-002HLF							
67955-001LF							
67955-101HLF	2	0/.0	5.19/.204	7.19/.283	8.76/.345		
67955-001HLF						0.15/.006	0.1/.004
P/N	NO. of POS	A	B	C	D	H	J

NOTE.

- FIG.1 SHOWS 67955-002LF MATED WITH POLARIZED MINI LATCH HOUSING. 67954-002 LOADED WITH CTW MALE PIN.
- THIS PRODUCT MEETS EUROPEAN UNION DIRECTIVES AND OTHER COUNTRY REGULATIONS AS DESCRIBED IN GS-22-008.
- THIS PRODUCT IS NOT INTENDED TO BE EXPOSED TO A MANUFACTURING SOLDER PROCESS.

FCI CONFIDENTIAL



Copyright FCI

mat'l. code		surface		tolerance		projection		product family		CODE	
----		ISO 1302		ISO 406 ISO 1101				5NGF - PV HOUSINGS		JP	
litr description		ecn no dr		date		tolerances unless otherwise specified		title			
A RELEASED		J05-0525 R.S		2005-8-18		angles 0.X ±0.25 linear 0.XX ±0.25		POLARIZED M/L HSG SHROUD			
B REVISED		J06-0279 R.S		2006-7-25		0'±2'		MM/INCH			
C REVISED		J10-0121 S.W		2010-5-20		0'±2'		scale			
						dr		dwg no		sheet 2 of size	
						enr		67955		A3	
						chr		type		PRODUCT CUSTOMER Drawing	
						appd		Rev.		C	
sheet index		revision sheet									