



Chipsmall Limited consists of a professional team with an average of over 10 year of expertise in the distribution of electronic components. Based in Hongkong, we have already established firm and mutual-benefit business relationships with customers from,Europe,America and south Asia,supplying obsolete and hard-to-find components to meet their specific needs.

With the principle of “Quality Parts,Customers Priority,Honest Operation,and Considerate Service”,our business mainly focus on the distribution of electronic components. Line cards we deal with include Microchip,ALPS,ROHM,Xilinx,Pulse,ON,Everlight and Freescale. Main products comprise IC,Modules,Potentiometer,IC Socket,Relay,Connector.Our parts cover such applications as commercial,industrial, and automotives areas.

We are looking forward to setting up business relationship with you and hope to provide you with the best service and solution. Let us make a better world for our industry!



Contact us

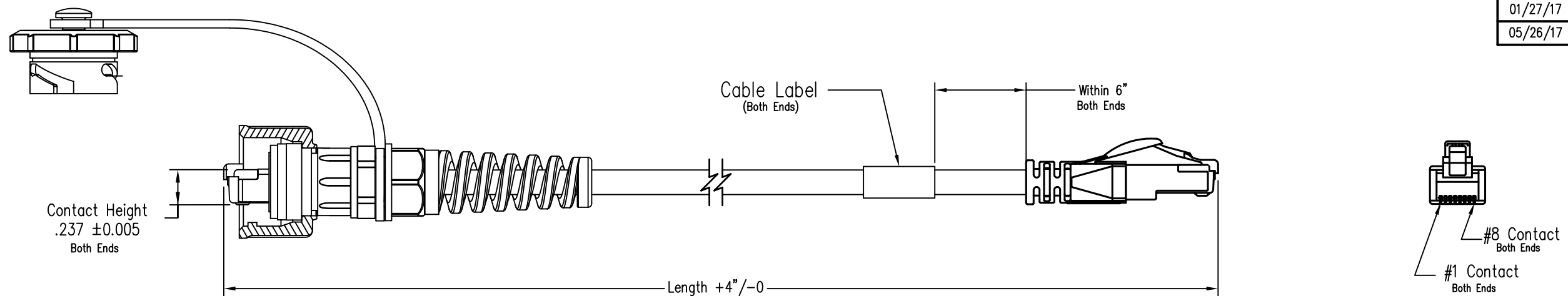
Tel: +86-755-8981 8866 Fax: +86-755-8427 6832

Email & Skype: info@chipsmall.com Web: www.chipsmall.com

Address: A1208, Overseas Decoration Building, #122 Zhenhua RD., Futian, Shenzhen, China



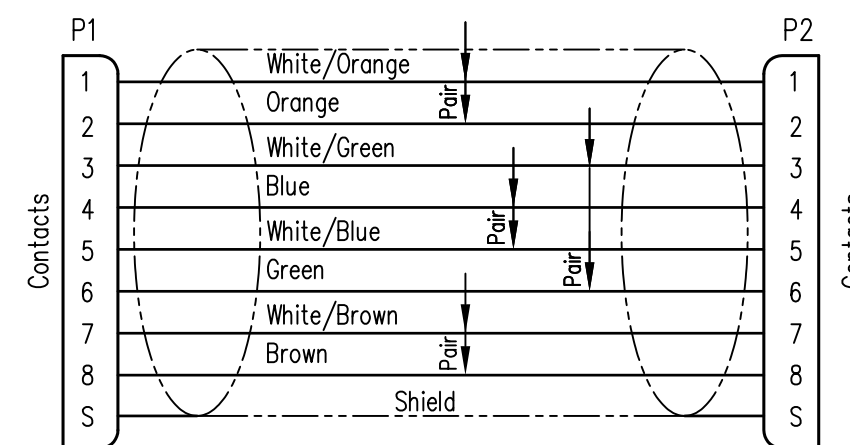
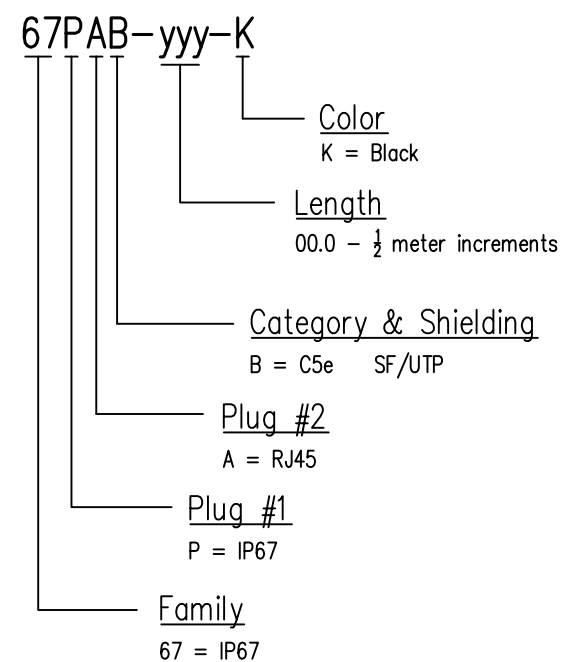
DATE	REV	ECN	APP'D. BY
01/27/17	A0	Released	DRI
05/26/17	A1	11013	KAC



Notes:

- 1) Each cable assembly to be individually bagged.
- 2) Mates with SS-60400-015 Industrial Jack
- 3) Cable Construction:
 - 26AWG 7/34 Stranded T/C
 - 4Pr, SF/UTP, Type CMX
 - ZHFR Polyurethane Jacket
 - O/A Dia 0.244" ±.005"
 - RoHS Compliant, VW-1
- 4) For Product Specification see PR041-01

P/N Structure:



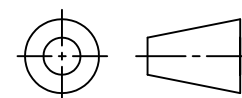
568B Standard Wiring Map

Typical Part Numbers

Length (m)	C5e Shielded
1.0	67PAB-010-K
1.5	67PAB-015-K
2.0	67PAB-020-K
2.5	67PAB-025-K
3.0	67PAB-030-K
5.0	67PAB-050-K
7.0	67PAB-070-K
10.0	67PAB-100-K

For Part Numbers Not Shown Follow Part Number Key Format

THIRD ANGLE PROJECTION



1118 Susquehanna Trail South
Glen Rock, PA 17327-9199
(717) 235-7512

<http://www.stewartconnector.com>

DO NOT SCALE DRAWING
DRAWING IS SUBJECT TO CHANGE WITHOUT NOTICE

TITLE:
IP67 Plug to RJ45 Plug Patchcord Assembly, C5e SF/UTP

DIMENSIONS: INCHES [METRIC]
UNLESS OTHERWISE SPECIFIED TOLERANCES ARE ±.005 [0.13] ANGLES ARE ± 1°

THIS DRAWING AND THE SUBJECT MATTER SHOWN THEREON ARE CONFIDENTIAL AND THE PROPRIETARY PROPERTY OF STEWART CONNECTOR AND SHALL NOT BE REPRODUCED, COPIED, OR USED IN ANY MANNER WITHOUT PRIOR WRITTEN CONSENT OF STEWART CONNECTOR. ONE OR MORE U.S. PATENTS MAY APPLY TO THIS PRODUCT. FOR DETAILS, PLEASE VISIT: [HTTP://BELFUSE.COM/STEWART/STEWART_PATENTS/](http://BELFUSE.COM/STEWART/STEWART_PATENTS/)

DRN BY:	KAC	DATE	01/16/17
APPD BY:	DRI	DATE	01/27/17
DWG NO.	CT999137	REV.	A1

SHEET NO. 1 OF 1