



Chipsmall Limited consists of a professional team with an average of over 10 year of expertise in the distribution of electronic components. Based in Hongkong, we have already established firm and mutual-benefit business relationships with customers from,Europe,America and south Asia,supplying obsolete and hard-to-find components to meet their specific needs.

With the principle of “Quality Parts,Customers Priority,Honest Operation,and Considerate Service”,our business mainly focus on the distribution of electronic components. Line cards we deal with include Microchip,ALPS,ROHM,Xilinx,Pulse,ON,Everlight and Freescale. Main products comprise IC,Modules,Potentiometer,IC Socket,Relay,Connector.Our parts cover such applications as commercial,industrial, and automotives areas.

We are looking forward to setting up business relationship with you and hope to provide you with the best service and solution. Let us make a better world for our industry!



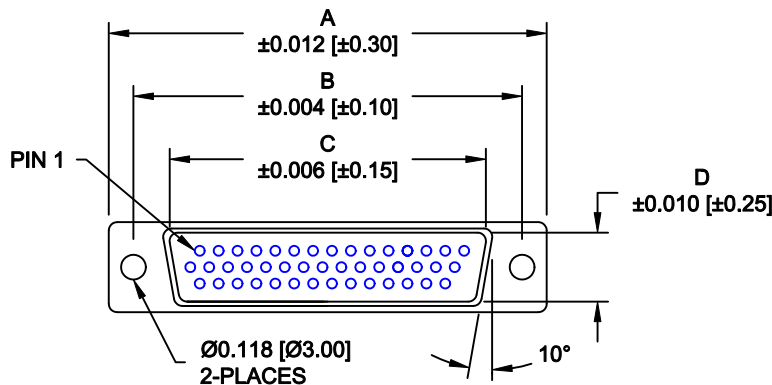
Contact us

Tel: +86-755-8981 8866 Fax: +86-755-8427 6832

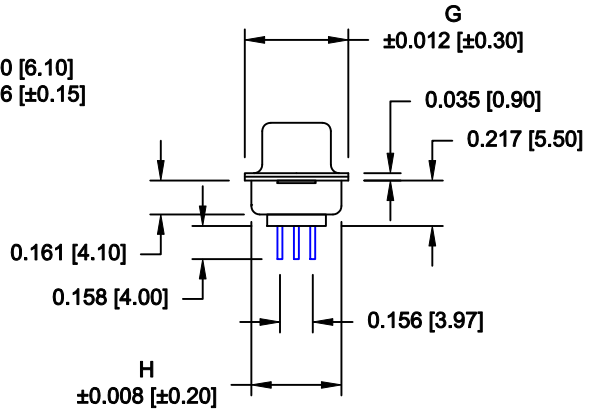
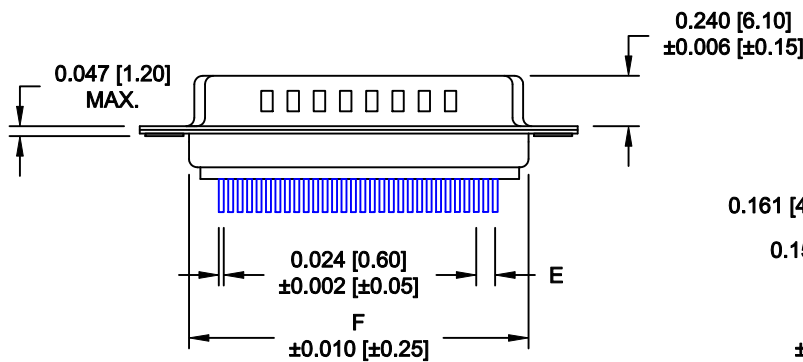
Email & Skype: info@chipsmall.com Web: www.chipsmall.com

Address: A1208, Overseas Decoration Building, #122 Zhenhua RD., Futian, Shenzhen, China





No. OF PINS	DIMENSIONS							
	A	B	C	D	E	F	G	H
15	1.213	0.984	0.666	0.329	0.090	0.756	0.496	0.429
	30.80	24.99	16.92	8.36	2.29	19.20	12.60	10.90
26	1.541	1.312	0.970	0.329	0.090	1.091	0.496	0.429
	39.15	33.32	24.65	8.36	2.29	27.70	12.60	10.90
44	2.087	1.852	1.512	0.329	0.090	1.618	0.496	0.429
	53.00	47.04	38.40	8.36	2.29	41.10	12.60	10.90



680-YYY-113RYY1

- SERIES _____
- POSITIONS _____
- 015 _____
- 026 _____
- 044 _____
- GENDER _____
- 1 = MALE _____
- TERMINATION _____
- 1 = VERTICAL DIP SOLDER _____
- SHELL PLATING _____
- 3 = NICKEL (GROUND INDENTS) _____
- RoHS COMPLIANT (260°C) _____
- HARDWARE OPTIONS _____
- 00 = NO HARDWARE _____
- 01 = .098" CLINCH NUT (BOARD SIDE) _____
- 02 = .236" CLINCH NUT (BOARD SIDE) _____
- 03 = .236" CLINCH NUT (MATING SIDE) _____
- 05 = .237 4-40 BOARD LOCK _____
- PLATING OPTIONS _____
- 1 = GOLD FLASH _____
- 2 = 30u" GOLD _____

MATERIAL:

- SHELL: STEEL, NICKEL PLATED
- INSULATOR: PBT, UL 94V-O RATED, +30% FIBER-GLASS OR NYLON-66
- CONTACT: BRASS, GOLD PLATED OVER NICKEL
- SEALING MATERIAL: F08 FLEXIBLE ADHESIVE

ELECTRICAL:

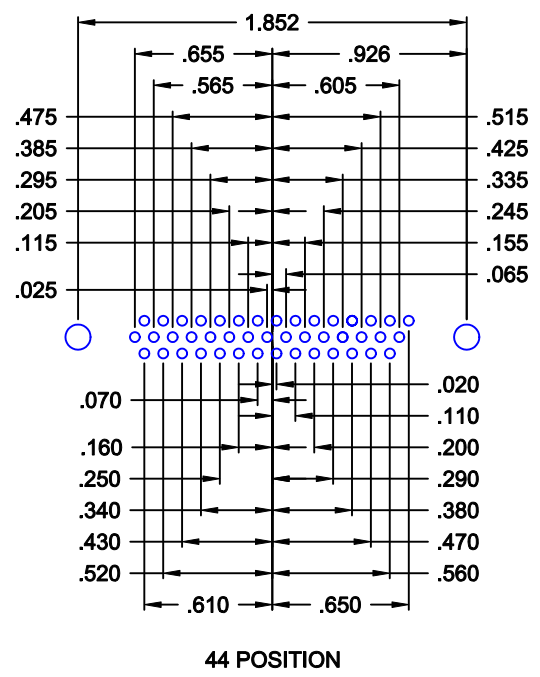
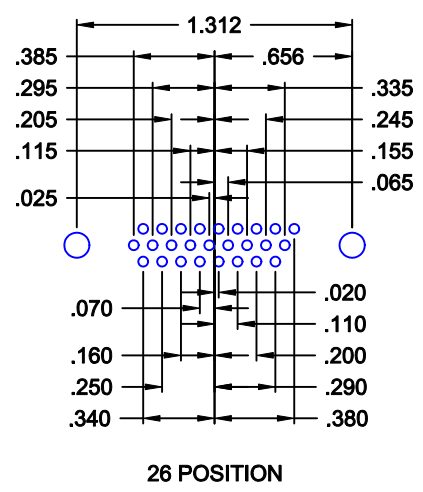
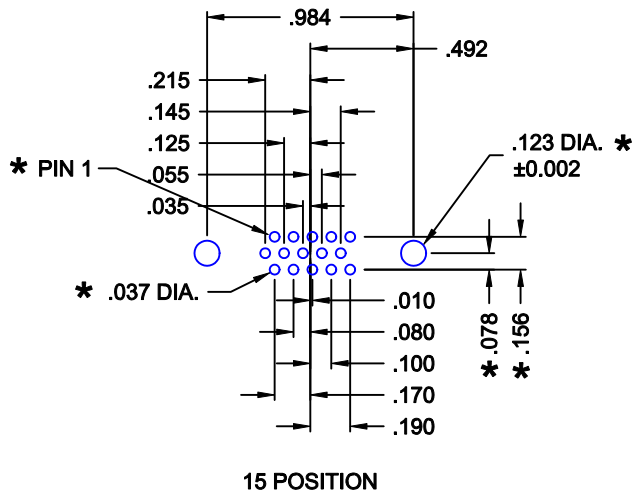
- CURRENT RATING: 5 AMPS
- CONTACT RESISTANCE: 15 mOhms Max.
- INSULATION RESISTANCE: 1,000 MOhms min.
- VOLTAGE: 500VAC FOR 1 MINUTE
- TEMPERATURE: -50° C TO 100° C

MEETS IP66 STANDARDS
(SEE PAGE 4 FOR SEALING DETAILS)

DO NOT SCALE FROM DRAWING

RoHS COMPLIANT

	THESE DRAWINGS AND SPECIFICATIONS ARE THE PROPERTY OF NorComp AND SHALL NOT BE REPRODUCED, COPIED OR USED AS THE BASIS FOR THE MANUFACTURE OF SALE OF APPARATUS WITHOUT WRITTEN PERMISSION.		DRAWN: M. SIGMON	DATE: 08-23-11
			CHECKED:	DATE:
NorComp		SCALE: 1 : 1	SHEET 1 OF 4	REV 1
		DWG NO. 680-YYY-113RYY1		



180 SERIES
HIGH DENSITY
VERTICAL

HOLE PATTERN SHOWN
ARE FOR MALE

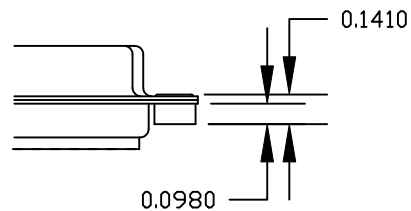
* TYP. ON ALL SIZES

DO NOT SCALE FROM DRAWING

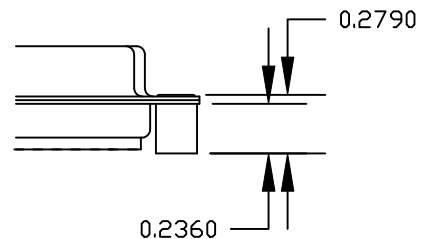
	THESE DRAWINGS AND SPECIFICATIONS ARE THE PROPERTY OF NorComp AND SHALL NOT BE REPRODUCED, COPIED OR USED AS THE BASIS FOR THE MANUFACTURE OF SALE OF APPARATUS WITHOUT WRITTEN PERMISSION.		DRAWN: M. SIGMON	DATE: 08-23-11	
			CHECKED:	DATE:	
NorComp			SCALE:	SHEET 2 OF 4	REV 1
			DWG NO. 680-YYY-113RYY1		

ALL CLINCH-NUTS ARE 4-40 INTERNAL THREADS

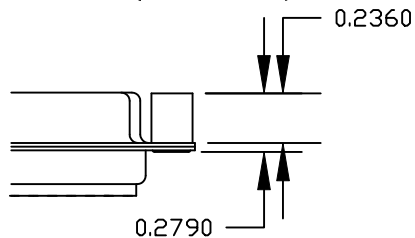
01X 0.098" (BOARD SIDE) - CN1



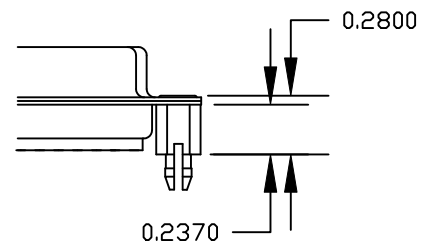
02X 0.236" (BOARD SIDE) - CN2



03X..... 0.236" (MATING SIDE) - CN8



05X 0.237" (BOARD SIDE) - CN10



DO NOT SCALE FROM DRAWING



THESE DRAWINGS AND SPECIFICATIONS ARE THE PROPERTY OF NorComp AND SHALL NOT BE REPRODUCED, COPIED OR USED AS THE BASIS FOR THE MANUFACTURE OF SALE OF APPARATUS WITHOUT WRITTEN PERMISSION.

DRAWN:
M. SIGMON

DATE:
08-23-11

CHECKED:

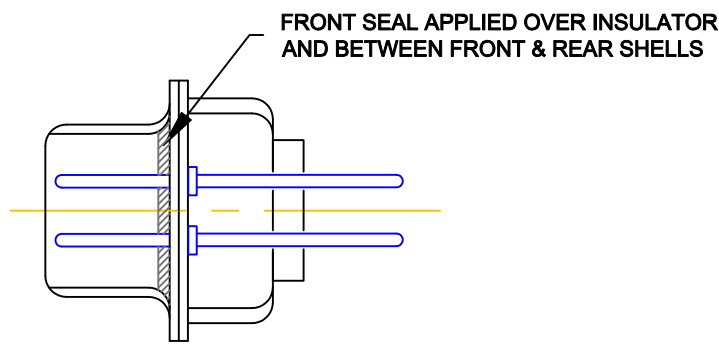
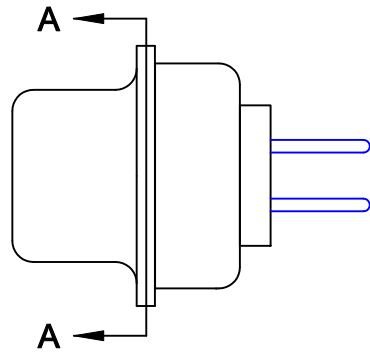
DATE:

NorComp

SCALE: SHEET **3** OF **4** REV **1**


DWG NO. **680-YYY-113RYY1**

RoHS COMPLIANT



DETAIL A-A

DO NOT SCALE FROM DRAWING

	THESE DRAWINGS AND SPECIFICATIONS ARE THE PROPERTY OF NorComp AND SHALL NOT BE REPRODUCED, COPIED OR USED AS THE BASIS FOR THE MANUFACTURE OF SALE OF APPARATUS WITHOUT WRITTEN PERMISSION.		DRAWN: M. SIGMON	DATE: 08-23-11	
			CHECKED:	DATE:	
<h1>NorComp</h1>			SCALE:	SHEET 4 OF 4	REV 1
			DWG NO. 680-YYY-113RYY1		

RoHS COMPLIANT