



Chipsmall Limited consists of a professional team with an average of over 10 year of expertise in the distribution of electronic components. Based in Hongkong, we have already established firm and mutual-benefit business relationships with customers from,Europe,America and south Asia,supplying obsolete and hard-to-find components to meet their specific needs.

With the principle of “Quality Parts,Customers Priority,Honest Operation,and Considerate Service”,our business mainly focus on the distribution of electronic components. Line cards we deal with include Microchip,ALPS,ROHM,Xilinx,Pulse,ON,Everlight and Freescale. Main products comprise IC,Modules,Potentiometer,IC Socket,Relay,Connector.Our parts cover such applications as commercial,industrial, and automotives areas.

We are looking forward to setting up business relationship with you and hope to provide you with the best service and solution. Let us make a better world for our industry!



Contact us

Tel: +86-755-8981 8866 Fax: +86-755-8427 6832

Email & Skype: info@chipsmall.com Web: www.chipsmall.com

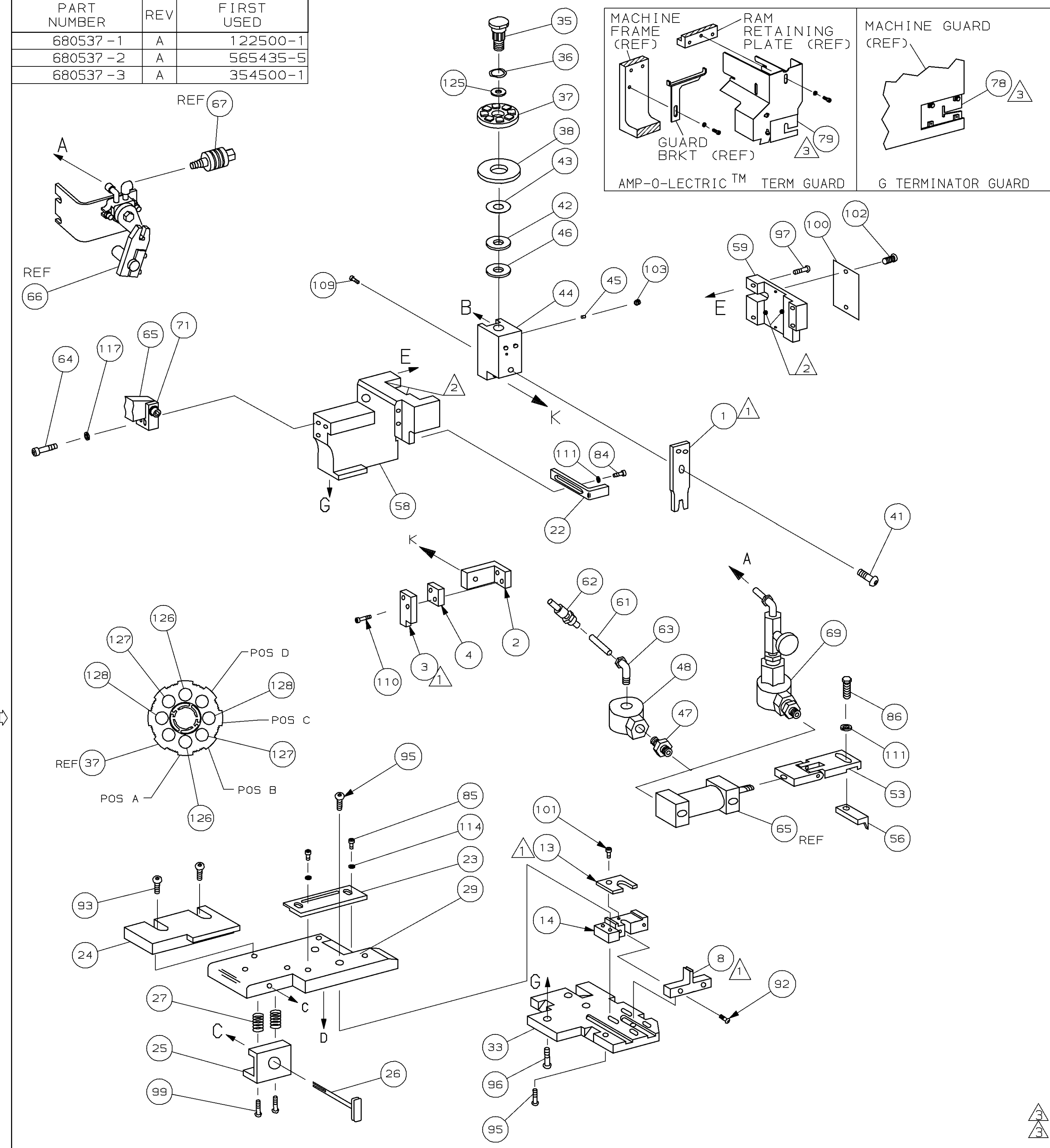
Address: A1208, Overseas Decoration Building, #122 Zhenhua RD., Futian, Shenzhen, China



PART NUMBER	REV	FIRST USED
680537 -1	A	122500-1
680537 -2	A	565435-5
680537 -3	A	354500-1

THIS DRAWING IS A CONTROLLED DOCUMENT FOR AMP INCORPORATED. IT IS SUBJECT TO CHANGE AND THE CONTROLLING ENGINEERING ORGANIZATION SHOULD BE CONTACTED FOR THE LATEST REVISION.

THIS INFORMATION IS CONFIDENTIAL AND IS DISCLOSED TO YOU ON CONDITION THAT NO FURTHER DISCLOSURE IS MADE BY YOU TO OTHER THAN AMP PERSONNEL WITHOUT WRITTEN AUTHORIZATION FROM AMP INCORPORATED, HARRISBURG, PA.



- ① RECOMMENDED SPARE PARTS.
- ② GREASE LIGHTLY.
- ③ GUARD MUST BE IN PLACE WHEN OPERATING APPLICATOR IN A BENCH MACHINE.
- ④ SEE DRAWING FOR COMPONENTS

TERMINAL NAME: MAG-MATE™ TERMINAL		CRIMPING DATA	
PAD LTR	CRIMP HEIGHT	WIRE SIZE	
A	.050 ± .002 [1.27 ± 0.05mm]	18	
B	.045 ± .002 [1.14 ± 0.05mm]	20	
C	.042 ± .002 [1.07 ± 0.05mm]	22	
D	NOT USED	USED	
CRIMP	SIZE	TYPE	RANGE
WIRE	.070 [1.78mm]	F	22-18
INSUL	-	-	-

QTY REQD PER ASSY	TERM APPL SPEC	FEED	APPL INSTRUCTION	SET UP GAGE	LAYOUT	ITEM NO	
.141-.172	114-2046	.330	408-8040	458637-1	1230	129	
2	2	2	-	C	4-354779-1	PIN, WIRE DISC (.3195)C	128
2	2	2	-	C	3-354779-5	PIN, WIRE DISC (.3165)B	127
2	2	2	-	C	2-354779-5	PIN, WIRE DISC (.3115)A	126
1	1	1	-	A	986950-1	WASHER, FLAT PRECISION	125
1	1	1	-	A	217238-1	GENERAL INSTRUCTION PACKAGE	124
1	1	1	-	-	4088040	SF APPL INST 408-8040	123
2	2	2	-	A	21024-5	WASHER, LOCK (#10)FEED	117
2	2	2	-	A	21024-4	WASHER, LOCK (#8)FRONT STP GUIDE	114
2	2	2	-	A	21024-4	WASHER, LOCK (#8) STRIPPER	111
1	1	1	-	A	2-21000-2	SCR, SHC (6-32x.75) REAR SHEAR PL	110
2	2	2	-	A	2-21000-1	SCR, SHC (6-32x.62) DEPRESSOR	109
1	1	-	-	A	992031-1	PIN, CLEVIS	104
1	1	1	-	A	21009-2	SCR, SKT SET (1/4-20x.25 LW) RAM	103
2	2	2	-	A	21017-2	SCR, DRIVE (#2x.19) ID PLATE	102
1	1	1	-	A	3-21000-4	SCR, SHC (10-32x.38) SHEAR PLATE	101
1	1	1	-	B	461264-1	PLATE, IDENTIFICATION	100
2	2	2	-	A	3-21002-0	SCR, BHC (10-32x.88) DRAG	99
4	4	4	-	A	2-21002-9	SCR, BHC (10-32x.75) CAP	97
3	3	3	-	A	2-22733-8	SCR, BHC (1/4-20x.62) HSG	96
5	5	5	-	A	2-21002-6	SCR, BHC (10-32x.38) SHEAR BLK	95
2	2	2	-	A	2-21002-2	SCR, BHC (8-32x.50) TERM H DWN	94
2	2	2	-	A	2-21002-1	SCR, BHC (8-32x.38) R STP GDE	93
2	2	2	-	A	22733-8	SCR, BHC (8-32x.38) (LOC-WEL) ANVIL	92
1	1	-	-	A	7-21000-9	SCR, SHC (4-40x.19) STRIPPER	89
1	1	1	-	A	2-22603-1	SCR, HEX HD (8-32x.38) FEED FINGER	86
2	2	2	-	A	2-21000-6	SCR, SHC (8-32x.38) F ST GUIDE	85
1	1	1	-	A	2-21000-7	SCR, SHC (8-32x.50) STRIPPER	84
-	1	-	-	B	462992-7	GUARD ASSY	79
REF	-	-	-	B	679532-1	INSERT, GUARD	78
1	1	1	-	B	459610-3	MOUNT, FEED BRACKET	71

QTY REQD PER ASSY	LEADMAKER	AIRFEED	DESCRIPTION	ITEM NO			
-1	BENCH MODEL K	AIRFEED		70			
-2	BENCH MODEL G	AIRFEED		69			
-3	BENCH MODEL G	AIRFEED		68			
1	1	-	C	692655-5	AIR FEED VALVE ASSY	67	
-	REF	-	A	24042-2	VALVE, SHUT OFF	66	
-	REF	-	C	692655-6	AIR FEED VALVE ASSY	65	
1	1	1	-	B	461065-1	AIR FEED ASSY (1 INCH)	64
2	2	2	-	A	3-21000-9	SCR, SHC (10-32x.75) AIR ASSY	63
1	-	1	-	A	980285-2	ELBOW, SWIVEL 1/8 NPT - 1/4 T	62
1	-	1	-	A	23238-1	QUICK DISCONNECT	61
21.00	-	21.00	IN	A	27319-4	TUBING, POLY-FLO Ø.25	60
1	1	1	-	C	454220-1	CAP, RAM	59
1	1	1	-	D	454485-1	HOUSING	58
1	1	1	-	B	1-694433-3	PAWL, FEED	56
1	1	1	-	B	461062-1	FEED FINGER ASSY	53
1	-	1	-	A	22374-7	VALVE, QUICK EXHAUST	48
1	-	1	-	A	22304-1	NIPPLE, HEX 1/8 NPT	47
1	1	1	-	A	690124-1	WASHER, RAM	46
1	1	1	-	A	690191-1	PLUG, NYLON	45
1	1	1	-	C	808965-1	RAM	44
1	1	1	-	A	690125-1	WASHER, LAMINATED	43
1	1	1	-	A	690124-5	WASHER, RAM	42
1	1	1	-	A	7-21002-9	BOLT, CRIMPER (5/16x1.00)	41
1	1	1	-	A	690223-2	SPACER, INSULATION DISC	38
1	1	1	-	D	354777-1	WIRE DISC, PLASTIC	37
1	1	1	-	A	22480-5	WASHER, SPRING	36
1	1	1	-	B	690212-1	POST, RAM	35
1	1	1	-	D	809010-1	PLATE, BASE	33
1	1	1	-	C	809032-1	PLATE, STRIP GUIDE	29
2	2	2	-	A	1-22284-0	SPRING, DRAG	27
1	1	1	-	B	454175-1	LEVER, DRAG RELEASE	26
1	1	1	-	B	1-690754-6	DRAG, TERMINAL	25
1	1	1	-	D	809030-1	GUIDE, STRIP (REAR)	24
1	1	1	-	A	809033-1	GUIDE, STRIP (FRONT)	23
-	-	1	-	B	690472-8	STRIPPER	22
1	1	-	-	A	679218-1	STRIPPER WIRE STOP ASSY	20
1	1	-	-	B	458949-8	STRIPPER	19
1	1	1	-	C	1213090-1	BLOCK, BASE	14
1	1	1	-	B	809036-2	PLATE, SHEAR, LEFT	13
1	1	1	-	B	1213091-1	ANVIL	8

LOC A	DIST 66	AMP 3308 REV 3-92	16-DEC-97	15:00:30	amp29062	7	6	5	4	3	2	1																																																																																																																																																											
<table border="0"> <tr> <td colspan="4">DIMENSIONS IN INCHES. DO NOT SCALE PRINT.</td> <td colspan="4">MATERIAL</td> <td colspan="4">FINISH</td> </tr> <tr> <td colspan="4">TOLERANCES UNLESS OTHERWISE SPECIFIED:</td> <td colspan="4">DR</td> <td colspan="4">APP</td> </tr> <tr> <td colspan="4">2 PLC DEC ± .25</td> <td colspan="4">L. COLLINS</td> <td colspan="4">29SEP97</td> </tr> <tr> <td colspan="4">3 PLC DEC ± .</td> <td colspan="4">T. ELBIN</td> <td colspan="4">REL</td> </tr> <tr> <td colspan="4">4 PLC DEC ± .</td> <td colspan="4">C. ERISMAN</td> <td colspan="4">-</td> </tr> <tr> <td colspan="4">ANGLES ±</td> <td colspan="4">NAME</td> <td colspan="4">REVISION OF EACH ASSY NO (WHEN BLANK, USE DWG REVISION)</td> </tr> <tr> <td colspan="4">SURF TEXTURE: ✓</td> <td colspan="4">REMOVE BURRS, BREAK SHARP EDGES R.015 MAX</td> <td colspan="4">SCALE</td> </tr> <tr> <td colspan="4">P/F LTR</td> <td colspan="4">A</td> <td colspan="4">REVISION RECORD</td> </tr> <tr> <td colspan="4">CE</td> <td colspan="4">12/97</td> <td colspan="4">DATE</td> </tr> <tr> <td colspan="4">APP</td> <td colspan="4">MACHINE REF</td> <td colspan="4">MINI APPL</td> </tr> <tr> <td colspan="4">DWG NO</td> <td colspan="4">809037</td> <td colspan="4">SHEET</td> </tr> <tr> <td colspan="4">REV</td> <td colspan="4">1 OF 1</td> <td colspan="4">REV</td> </tr> <tr> <td colspan="4">A</td> <td colspan="4"></td> <td colspan="4">A</td> </tr> </table>												DIMENSIONS IN INCHES. DO NOT SCALE PRINT.				MATERIAL				FINISH				TOLERANCES UNLESS OTHERWISE SPECIFIED:				DR				APP				2 PLC DEC ± .25				L. COLLINS				29SEP97				3 PLC DEC ± .				T. ELBIN				REL				4 PLC DEC ± .				C. ERISMAN				-				ANGLES ±				NAME				REVISION OF EACH ASSY NO (WHEN BLANK, USE DWG REVISION)				SURF TEXTURE: ✓				REMOVE BURRS, BREAK SHARP EDGES R.015 MAX				SCALE				P/F LTR				A				REVISION RECORD				CE				12/97				DATE				APP				MACHINE REF				MINI APPL				DWG NO				809037				SHEET				REV				1 OF 1				REV				A								A			
DIMENSIONS IN INCHES. DO NOT SCALE PRINT.				MATERIAL				FINISH																																																																																																																																																															
TOLERANCES UNLESS OTHERWISE SPECIFIED:				DR				APP																																																																																																																																																															
2 PLC DEC ± .25				L. COLLINS				29SEP97																																																																																																																																																															
3 PLC DEC ± .				T. ELBIN				REL																																																																																																																																																															
4 PLC DEC ± .				C. ERISMAN				-																																																																																																																																																															
ANGLES ±				NAME				REVISION OF EACH ASSY NO (WHEN BLANK, USE DWG REVISION)																																																																																																																																																															
SURF TEXTURE: ✓				REMOVE BURRS, BREAK SHARP EDGES R.015 MAX				SCALE																																																																																																																																																															
P/F LTR				A				REVISION RECORD																																																																																																																																																															
CE				12/97				DATE																																																																																																																																																															
APP				MACHINE REF				MINI APPL																																																																																																																																																															
DWG NO				809037				SHEET																																																																																																																																																															
REV				1 OF 1				REV																																																																																																																																																															
A								A																																																																																																																																																															