



Chipsmall Limited consists of a professional team with an average of over 10 year of expertise in the distribution of electronic components. Based in Hongkong, we have already established firm and mutual-benefit business relationships with customers from,Europe,America and south Asia,supplying obsolete and hard-to-find components to meet their specific needs.

With the principle of “Quality Parts,Customers Priority,Honest Operation,and Considerate Service”,our business mainly focus on the distribution of electronic components. Line cards we deal with include Microchip,ALPS,ROHM,Xilinx,Pulse,ON,Everlight and Freescale. Main products comprise IC,Modules,Potentiometer,IC Socket,Relay,Connector.Our parts cover such applications as commercial,industrial, and automotives areas.

We are looking forward to setting up business relationship with you and hope to provide you with the best service and solution. Let us make a better world for our industry!



Contact us

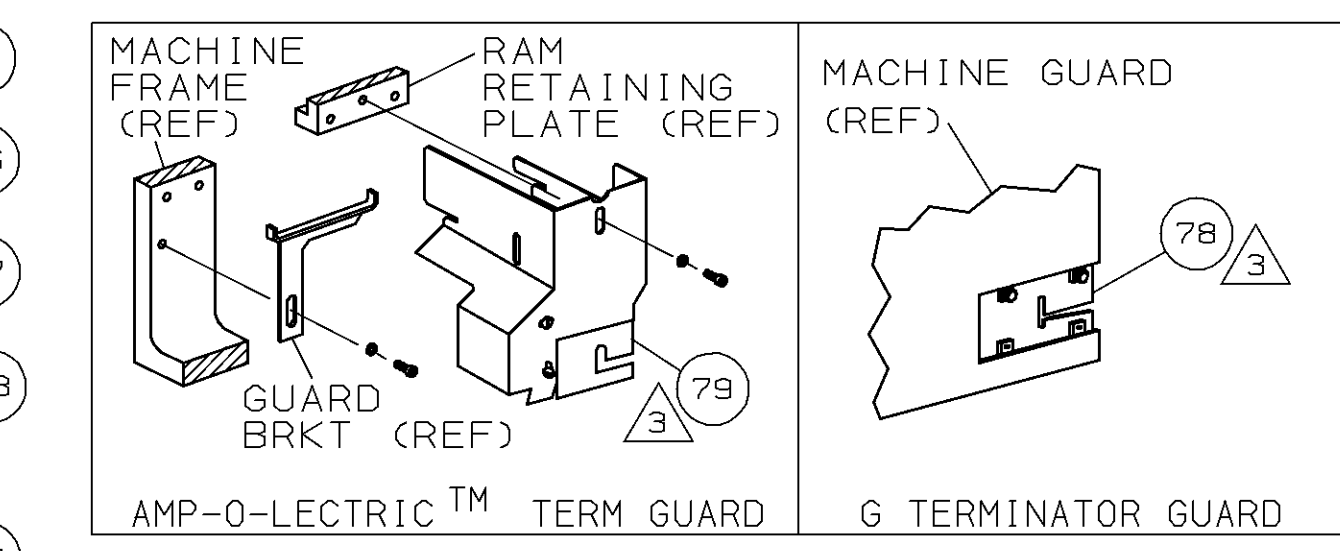
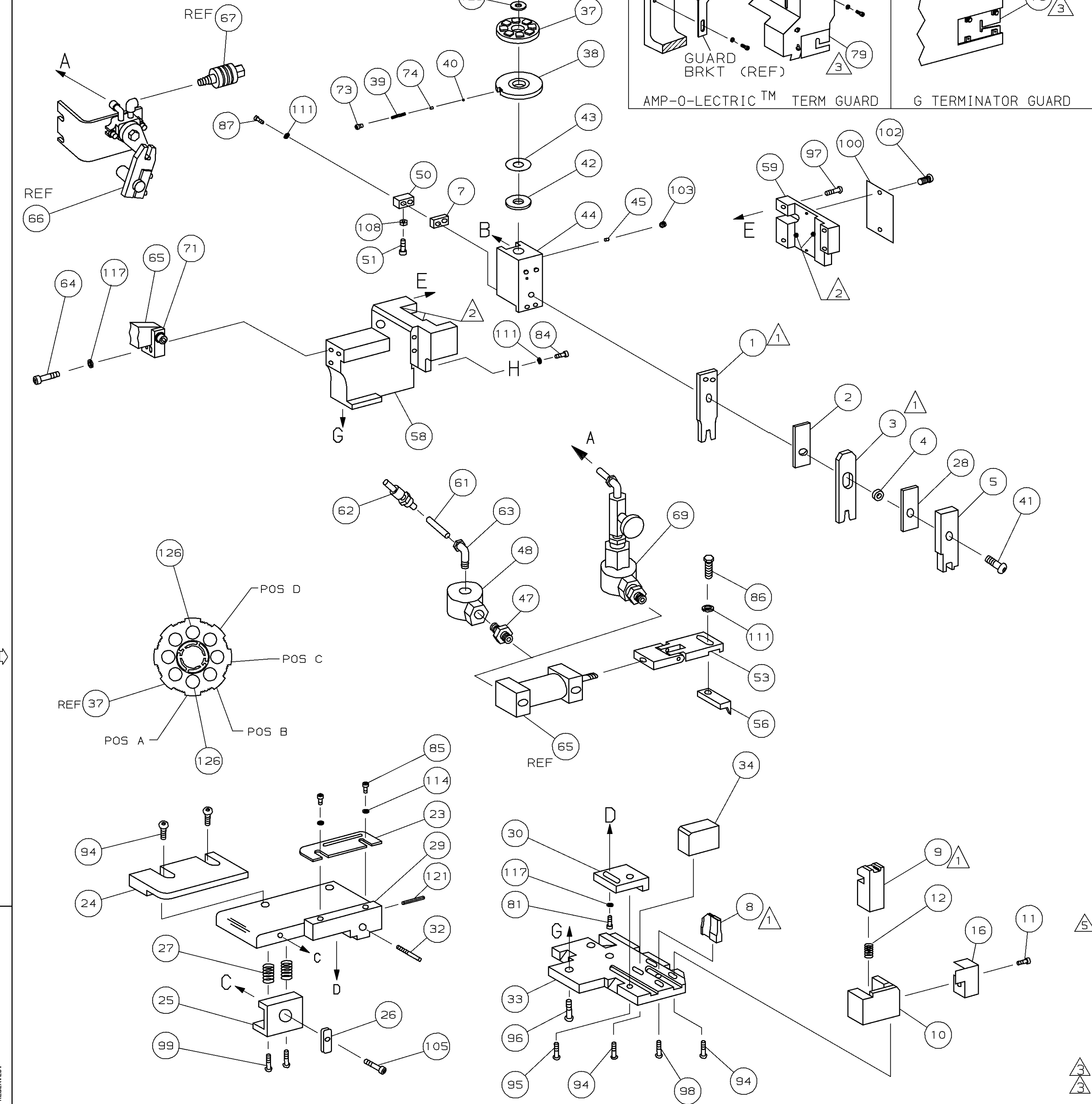
Tel: +86-755-8981 8866 Fax: +86-755-8427 6832

Email & Skype: info@chipsmall.com Web: www.chipsmall.com

Address: A1208, Overseas Decoration Building, #122 Zhenhua RD., Futian, Shenzhen, China



PART NUMBER	REV	FIRST USED
680754-1	A	122500-1
680754-2	A	565435-5
680754-3	A	354500-1



TERMINAL NAME: 4.8 MM TAB WITH DOUBLE LOCKING LANCE

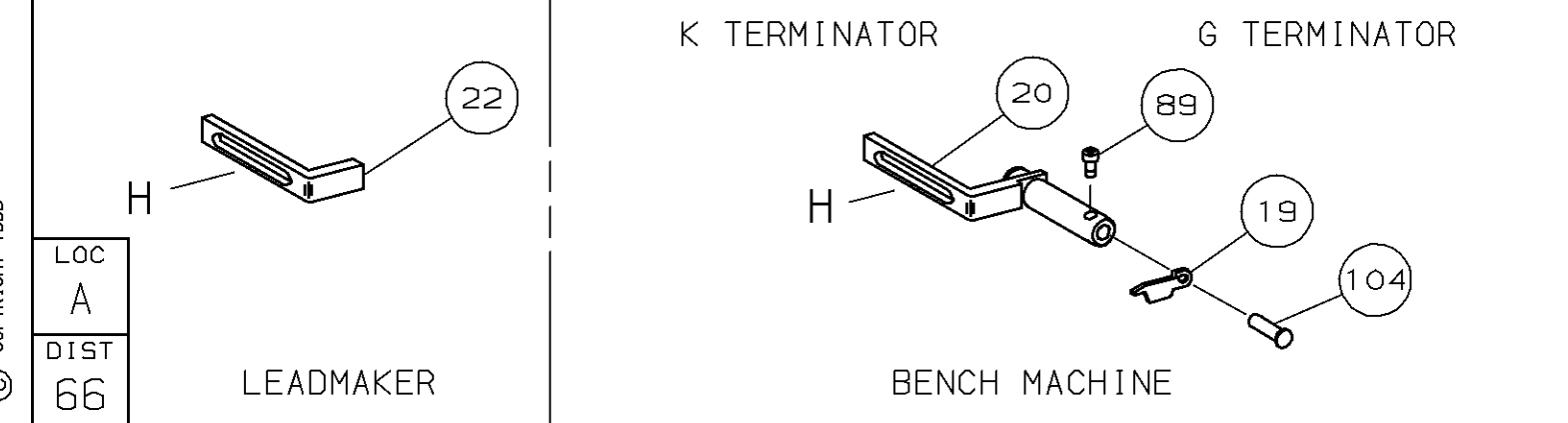
PAD LTR	CRIMP HEIGHT	WIRE SIZE
A	.092 ±.002 [2.33 ±0.05mm]	4.0 mm ²
B	NOT	USED
C	NOT	USED
D	NOT	USED

CRIMP	SIZE	TYPE	RANGE
WIRE	.130 [3.30mm]	F	2.5-4.0 mm ²
INSUL	.270 [6.86mm]	0	∅ 6 mm

WIRE STRIP LENGTH	TERM APPL SPEC	FEED	APPL INSTRUCTION	SET UP GAGE	LAYOUT
.219-.250	114-2065	.846	408-8040	458637-1	L2180

QTY	REQD	PER	ASSY	PARTS LIST	DESCRIPTION	ITEM NO	
1	1	1	-	A	22353-8	SCR, SHLD (∅.187x.25) DRAG LEVER	105
1	1	1	-	A	992031-1	PIN, CLEVIS	104
1	1	1	-	A	21009-2	SCR, SKT SET (1/4-20x.25 LW) RAM	103
2	2	2	-	A	21017-2	SCR, DRIVE (#2x.19) ID PLATE	102
1	1	1	-	A	21018-5	NUT, HEX (NO. 6) HOLDDOWN	108
1	1	1	-	A	21024-5	WASHER, LOCK (#10) ADJ BLOCK	117
2	2	2	-	A	21024-2	WASHER, LOCK (#4) FRONT STP GUIDE	114
4	4	4	-	A	21024-4	WASHER, LOCK (#8) STRIPPER	111
1	1	1	-	A	21018-5	NUT, HEX (NO. 6) HOLDDOWN	108
1	1	1	-	A	22353-8	SCR, SHLD (∅.187x.25) DRAG LEVER	105
1	1	1	-	A	992031-1	PIN, CLEVIS	104
1	1	1	-	A	21009-2	SCR, SKT SET (1/4-20x.25 LW) RAM	103
2	2	2	-	A	21017-2	SCR, DRIVE (#2x.19) ID PLATE	102
1	1	1	-	B	461264-1	PLATE, IDENTIFICATION	100
2	2	2	-	A	3-21002-0	SCR, BHC (10-32x.88) DRAG	99
1	1	1	-	A	22733-8	SCR, BHC (8-32x.38 LW) ANVIL	98
4	4	4	-	A	2-21002-9	SCR, BHC (10-32x.75) CAP	97
3	3	3	-	A	2-22733-8	SCR, BHC (1/4-20x.62) HSG	96
1	1	1	-	A	2-21002-7	SCR, BHC (10-32x.50) SG ADJ BLK	95
6	6	6	-	A	2-21002-2	SCR, BHC (8-32x.50) TERM H DWN	94
1	1	1	-	A	7-21000-9	SCR, SHC (4-40x.19) STRIPPER	89
2	2	2	-	A	2-21000-9	SCR, SHC (8-32x.70) DEP-HOLD	87
1	1	1	-	A	2-22603-1	SCR, HEX HD (8-32x.38) FEED FINGER	86
2	2	2	-	A	1-21000-3	SCR, SHC (4-40x.25) F ST GUIDE	85
1	1	1	-	A	2-21000-7	SCR, SHC (8-32x.50) STRIPPER	84
1	1	1	-	A	3-21000-4	SCR, SHC (10-32x.38) SG ADJ BL	81
-	1	-	-	B	462992-7	GUARD ASSY	79
REF	-	-	-	B	679532-1	INSERT, GUARD	78
1	1	1	-	A	690603-1	SPRING, ASSIST	74
1	1	1	-	A	23030-1	SCR, SHC (6-32x.25 SL) INS DISC	73
1	1	1	-	B	459610-3	MOUNT, FEED BRACKET	71

- 1 RECOMMENDED SPARE PARTS.
- 2 GREASE LIGHTLY.
- 3 GUARD MUST BE IN PLACE WHEN OPERATING APPLICATOR IN A BENCH MACHINE.
- 4 SEE DRAWING FOR COMPONENTS
- 5 CUT TO LENGTH AT ASSY



QTY	REQD	PER	ASSY	PARTS LIST	DESCRIPTION	ITEM NO	
-1	-	-	-	C	692655-5	AIR FEED VALVE ASSY	70
-2	-	-	-	C	24042-2	VALVE, SHUT OFF	67
-3	-	-	-	C	692655-6	AIR FEED VALVE ASSY	66
1	1	1	-	B	461065-1	AIR FEED ASSY (1 INCH)	65
2	2	2	-	A	3-21000-7	SCR, SHC (10-32x.75) AIR ASSY	64
1	-	1	-	A	980285-2	ELBOW, SWIVEL 1/8 NPT - 1/4 T	63
1	-	1	-	A	23238-1	QUICK DISCONNECT	62
21.00	-	21.00	IN	A	27319-4	TUBING, POLY-FLO ∅.25	61
1	1	1	-	C	454220-1	CAP, RAM	59
1	1	1	-	D	454485-1	HOUSING	58
1	1	1	-	B	1-694433-6	PAWL, FEED	56
1	1	1	-	B	461062-1	FEED FINGER ASSY	53
1	1	1	-	A	811242-2	BUMPER, HOLDDOWN	51
1	1	1	-	A	690753-1	SPACER, TONKER	50
1	-	1	-	A	22374-7	VALVE, QUICK EXHAUST	48
1	-	1	-	A	22304-1	NIPPLE, HEX 1/8 NPT	47
1	1	1	-	A	690191-1	PLUG, NYLON	45
1	1	1	-	C	455673-1	RAM	44
1	1	1	-	A	690125-1	WASHER, LAMINATED	43
1	1	1	-	A	690124-1	WASHER, RAM	42
1	1	1	-	A	7-21002-9	BOLT, CRIMPER (5/16x1.00)	41
1	1	1	-	A	23241-6	BALL, STEEL	40
1	1	1	-	A	690170-1	SPRING, COMPRESSION	39
1	1	1	-	C	690142-1	DISC, INSULATION	38
1	1	1	-	D	354777-1	WIRE DISC, PLASTIC	37
1	1	1	-	A	22480-5	WASHER, SPRING	36
1	1	1	-	B	690212-1	POST, RAM	35
1	1	1	-	B	690786-3	SUPPORT, TERMINAL	34
1	1	1	-	D	455675-1	PLATE, BASE	33
1	1	1	-	A	690432-3	SCREW, ADJUSTMENT	32
1	1	1	-	B	455689-1	BLOCK, STRIP GUIDE ADJ	30
1	1	1	-	C	3-458144-4	PLATE, STRIP GUIDE	29
1	1	1	-	C	1-455888-2	SPACER, FRONT SHEAR DEP	28
2	2	2	-	A	1-22284-0	SPRING, DRAG	27
1	1	1	-	B	240793-1	LEVER, DRAG RELEASE	26
1	1	1	-	B	240792-1	DRAG, TERMINAL	25
1	1	1	-	D	1-90765-0	GUIDE, STRIP (REAR)	24
1	1	1	-	A	690438-2	GUIDE, STRIP (FRONT)	23
-	-	1	-	B	690472-2	STRIPPER	22
1	1	-	-	A	679218-1	STRIPPER WIRE STOP ASSY	20
1	1	-	-	B	458949-1	STRIPPER	19
1	1	1	-	B	318563-1	GUARD, CHIP, FRONT	16
1	1	1	-	A	5-22280-0	SPRING, SHEAR	12
1	1	1	-	B	690461-1	STOP, SHEAR	11
1	1	1	-	C	1-690459-0	HOLDER, SHEAR (FRONT)	10
1	1	1	-	C	318707-1	SHEAR, FLOAT (FRONT)	9
1	1	1	-	C	1-318088-4	ANVIL	8
1	1	1	-	C	4-240641-5	SPACER, DEPRESSOR (REAR)	7
1	1	1	-	C	2-455889-2	DEPRESSOR, SHEAR (FRONT)	5
1	1	1	-	B	1-238011-9	SPACER, BLOCK CRIMPER	4
1	1	1	-	C	904741-8	CRIMPER, INSULATION	3
1	1	1	-	C	1-455888-0	SPACER, CRIMPER	2
1	1	1	-	C	3-458141-3	CRIMPER, WIRE	1

REVISION OF EACH ASSY NO (WHEN BLANK, USE DWG REVISION)

QTY	REQD	PER	ASSY	PARTS LIST	DESCRIPTION	ITEM NO	
-3	-2	-1	U/M	DWG SIZE	PART NO	DESCRIPTION	ITEM NO

DIMENSIONS IN INCHES. DO NOT SCALE PRINT. TOLERANCES UNLESS OTHERWISE SPECIFIED.

DR P.Mathias 20NOV98 APP T.ELBIN 20NOV98
 CHK C.ERISMAN 20NOV98 REL - - - - -
 NAME SIDE FEED HDM APPLICATOR MACHINE REF MINI APPL
 SCALE - - - - - DWG NO 680754 SHEET 1 OF 1 REV A

REMOVE BURRS, BREAK SHARP EDGES R.015 MAX

CASE CODE 00779 CUSTOMER AND ASSEMBLY DRAWING

THIS DRAWING IS A CONTROLLED DOCUMENT.

RELEASED FOR PUBLICATION
BY AMP INCORPORATED. ALL RIGHTS RESERVED.
AMP 1756 REV 3-92 15-FEB-99 13:05:59 amp05625 7

680754

D

C

B

A