



Chipsmall Limited consists of a professional team with an average of over 10 year of expertise in the distribution of electronic components. Based in Hongkong, we have already established firm and mutual-benefit business relationships with customers from,Europe,America and south Asia,supplying obsolete and hard-to-find components to meet their specific needs.

With the principle of “Quality Parts,Customers Priority,Honest Operation,and Considerate Service”,our business mainly focus on the distribution of electronic components. Line cards we deal with include Microchip,ALPS,ROHM,Xilinx,Pulse,ON,Everlight and Freescale. Main products comprise IC,Modules,Potentiometer,IC Socket,Relay,Connector.Our parts cover such applications as commercial,industrial, and automotives areas.

We are looking forward to setting up business relationship with you and hope to provide you with the best service and solution. Let us make a better world for our industry!



Contact us

Tel: +86-755-8981 8866 Fax: +86-755-8427 6832

Email & Skype: info@chipsmall.com Web: www.chipsmall.com

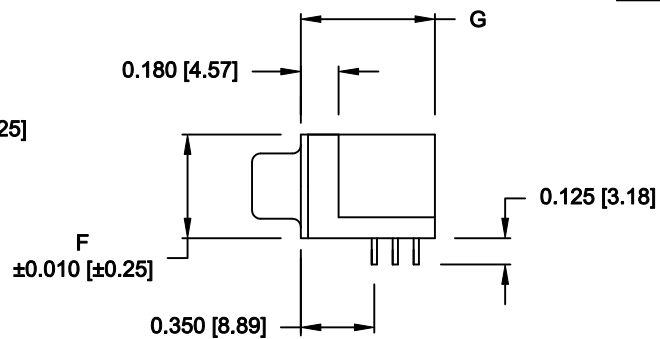
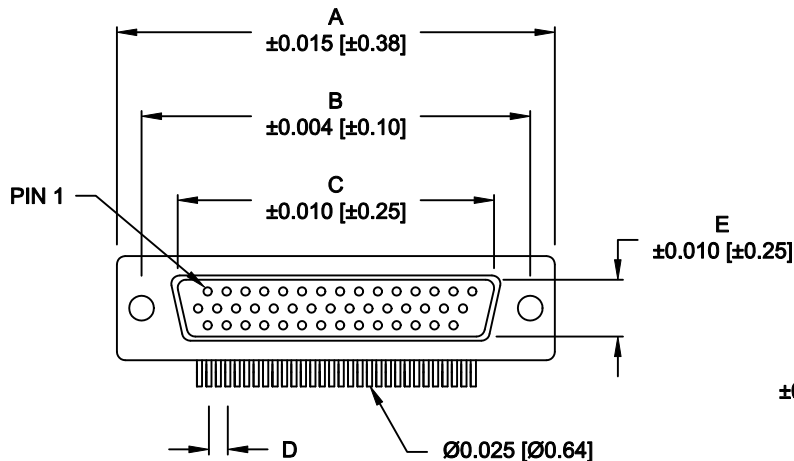
Address: A1208, Overseas Decoration Building, #122 Zhenhua RD., Futian, Shenzhen, China



DESCRIPTION: HIGH DENSITY - MALE - RIGHT ANGLE - SEALED

44 PIN SHOWN

DIMENSIONS (IN.)							
No. OF PINS	A	B	C	D	E	F	G
15	1.213	0.984	0.666	0.090	0.329	0.496	0.639
	30.80	24.99	16.92	2.29	8.36	12.60	16.23
26	1.543	1.312	0.994	0.090	0.329	0.496	0.639
	39.19	33.32	25.25	2.29	8.36	12.60	16.23
44	2.087	1.852	1.534	0.090	0.329	0.496	0.639
	53.00	47.04	38.96	2.29	8.36	12.60	16.23



681-YYY-1 1 3 R YY 1

SERIES _____
 POSITIONS _____
 015
 026
 044
 GENDER _____
 1 = MALE
 TERMINATION _____
 1 = DIP SOLDER
 SHELL PLATING _____
 3 = NICKEL PLATED
 RoHS COMPLIANT _____
 (HIGH TEMP. PROCESS)
 HARDWARE OPTIONS _____
 17 = 4-40 INSERTS / INSIDE GND STRAPS
 53 = 4-40 INSERTS / BOARDLOCKS
 PLATING OPTIONS _____
 1 = GOLD FLASH

ELECTRICAL:
 CURRENT RATING: 2 AMPS
 CONTACT RESISTANCE: 15 MILLIOhms Max.
 INSULATION RESISTANCE: 1,000 MEGOhms Min.
 VOLTAGE: 500V FOR 1 MINUTE
 TEMPERATURE: -50°C TO +100°C

MEETS IP66 STANDARDS
 (SEE PAGE 3 FOR SEALING DETAILS)

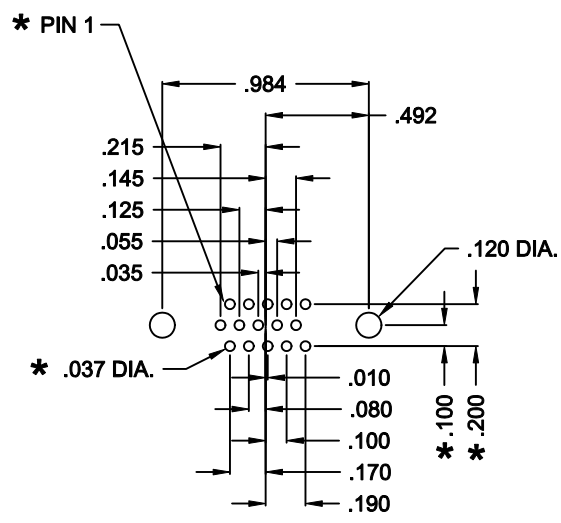
MATERIALS:
 SHELL: SPCC, NICKEL PLATED
 INSULATOR: PA 9T-BLACK (UL94-0)
 260°C PROCESS TEMPERATURE
 CONTACT: BRASS, GOLD ENTIRE CONTACT
 RIVET: COPPER ALLOY, NICKEL PLATED
 BOARDLOCK: SPCC, TIN PLATED
 SCREWLOCK: ZINC ALLOY, NICKEL PLATED
 SEAL: F08 FLEXIBLE ADHESIVE

DO NOT SCALE FROM DRAWING

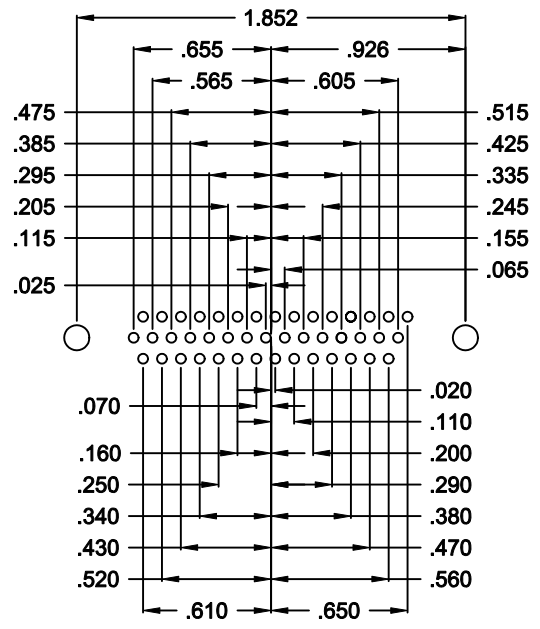
RoHS COMPLIANT

	THESE DRAWINGS AND SPECIFICATIONS ARE THE PROPERTY OF NorComp AND SHALL NOT BE REPRODUCED, COPIED OR USED AS THE BASIS FOR THE MANUFACTURE OR SALE OF APPARATUS WITHOUT WRITTEN PERMISSION.		DRAWN: P. JENKINS	DATE: 11-24-11
			CHECKED:	DATE:
<h1>NorComp</h1>		SCALE:	SHEET 1 OF 3	REV 1
		DWG NO. 681-YYY-113RYY1		

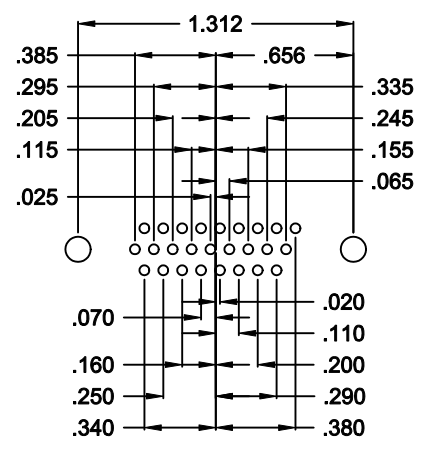
DESCRIPTION: PCB LAYOUT - RIGHT ANGLE - MALE



15 POSITION



44 POSITION



26 POSITION

**181 SERIES
HIGH DENSITY
RIGHT ANGLE**

**HOLE PATTERN SHOWN
ARE FOR MALE**

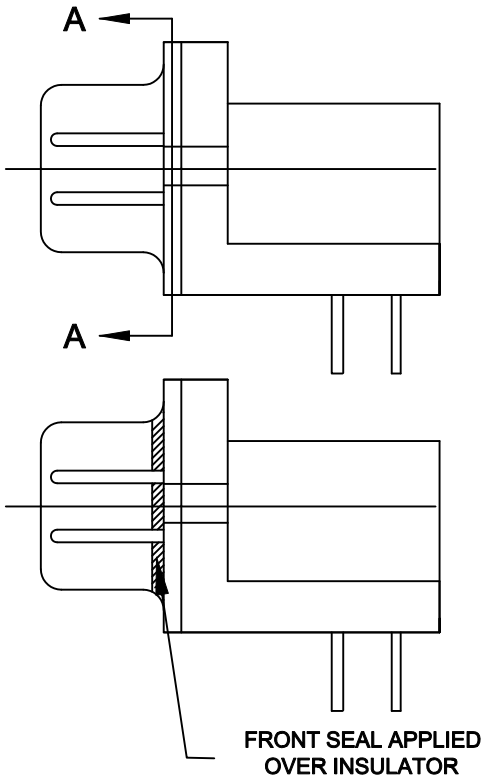
*** TYP. ON ALL SIZES**

DO NOT SCALE FROM DRAWING

	THESE DRAWINGS AND SPECIFICATIONS ARE THE PROPERTY OF NorComp AND SHALL NOT BE REPRODUCED, COPIED OR USED AS THE BASIS FOR THE MANUFACTURE OR SALE OF APPARATUS WITHOUT WRITTEN PERMISSION.		DRAWN: P. JENKINS	DATE: 11-24-11
			CHECKED:	DATE:
NorComp		SCALE: FULL	SHEET 2 OF 3	REV 1
		DWG NO. 681-YYY-113RYY1		

DESCRIPTION: HIGH DENSITY R/A HARDWARE OPTIONS

SEALING PROCESS



DETAIL A-A

SHOWN FOR REFERENCE ONLY

HARDWARE OPTIONS

<p>4-40 FLUSH INSERT</p>	<p>0.141 ±0.020</p> <p>METAL SHELL WITH INSIDE GROUND STRAPS</p>	<p>METAL SHELL FORK BOARD LOCKS</p>
	<p>17</p>	<p>53 BOARD LOCKS IN FRONT HOLE</p>



THESE DRAWINGS AND SPECIFICATIONS ARE THE PROPERTY OF NorComp AND SHALL NOT BE REPRODUCED, COPIED OR USED AS THE BASIS FOR THE MANUFACTURE OR SALE OF APPARATUS WITHOUT WRITTEN PERMISSION.

DRAWN: P. JENKINS	DATE: 11-24-11
CHECKED:	DATE:

SCALE:	SHEET 3 OF 3	REV 1
--------	----------------------------	--------------

DWG NO. **681-YYY-113RYY1**

RoHS COMPLIANT

NorComp